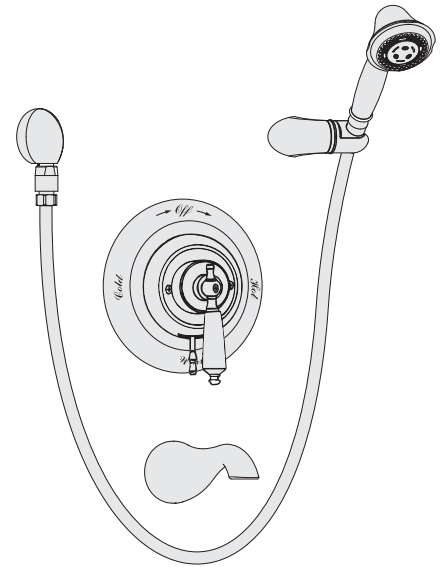



SYMMONS® Carrington™

Tub and Hand Shower System S-4404
Specification Submittal



Feature Highlights

- Symmons tub and hand shower system with lever handles.
- Symmons Temptrol® pressure balancing mixing valve with adjustable stop screw to limit handle turn.
- Secondary integral volume control handle
- Wall/hand shower with 5 foot flexible metal hose, in-line vacuum breaker, wall connection and cradle for hand shower mounting
- Flow rate 2.5 gpm (9.5 L/min)
- Tub spout
- Metal construction with polished chrome finish

Model Numbers

- S-4404..... Tub and Hand Shower System with Symmons Temptrol® pressure balancing mixing valve p/n S-4002-BODY
- S-4404-TRM..... Trim only, valve and diverter must be ordered separately
- S-4002-BODY..... Symmons Temptrol® pressure balancing mixing valve without trim
- S-4002-X-BODY..... Symmons Temptrol® pressure balancing mixing valve without trim. Valve includes integral service stops to allow water shut-off for service.

Finish Options

Append appropriate -suffix to model number.

- STN Satin nickel finish

Options / Modifications

Append appropriate -suffix to model number.

- IPS 1/2 inch female IPS connections on Symmons Temptrol® mixing valve
- X Symmons Temptrol® pressure balancing mixing valve includes integral service stops to allow water shut-off for service, p/n S-4002-X-BODY. (Option only applies when ordering model S-4404.)

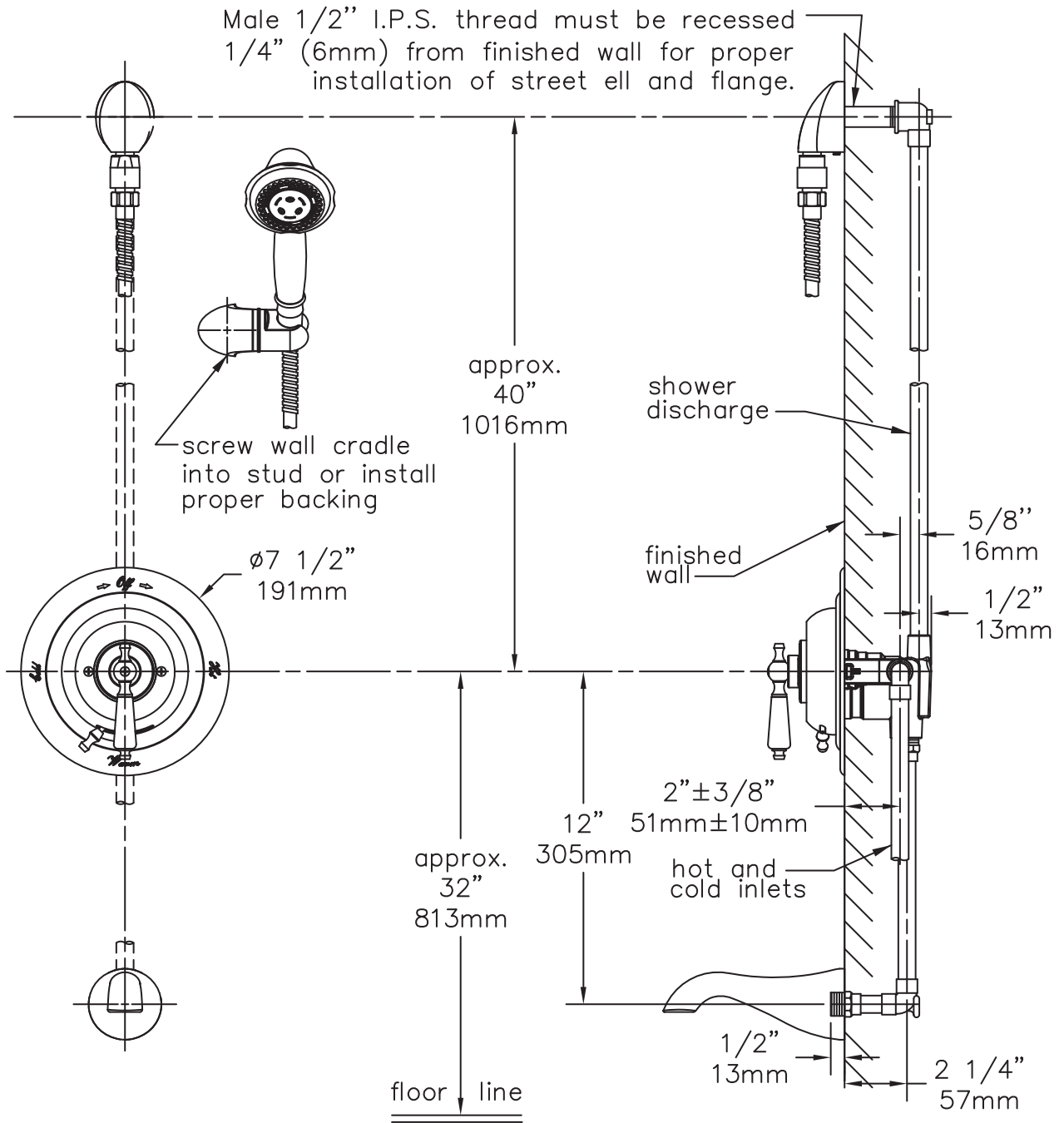
Standards / Certifications

ASME A112.18.1-2005/CSA B125.1-05

Warranty

- Limited Lifetime - to the original end purchaser in consumer installations.
- 5 years - for commercial installations

Dimensions Carrington Tub and Hand Shower System, S-4404



Note: Dimensions subject to change without notice.