

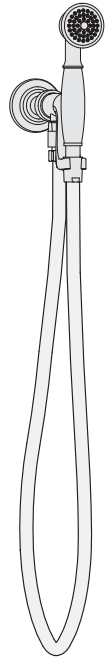
Location:



# Winslet™

## Tub and Hand Shower System S-5104

### Specification Submittal



#### Feature Highlights

- Symmons tub and hand shower system with lever handles.
- Symmons Temptrol® pressure balancing mixing valve with adjustable stop screw to limit handle turn.
- Secondary integral volume control handle
- Wall/hand shower with 5 foot flexible metal hose, in-line vacuum breaker, wall connection and cradle for hand shower mounting
- Standard flow rate is 2.5 gpm (9.5 L/min)
- Tub spout
- Polished chrome finish

#### Model Numbers

- S-5104 Tub and Hand Shower System with Symmons Temptrol® pressure balancing mixing valve p/n S-4002-BODY
- S-5104-TRM Trim only, valve and diverter must be ordered separately
- S-4002-BODY Symmons Temptrol® pressure balancing mixing valve without trim
- S-4002-X-BODY Symmons Temptrol® pressure balancing mixing valve without trim. Valve includes integral service stops to allow water shut-off for service.

#### Finish Options / Modifications

Append appropriate -suffix to model number.

- STN Satin nickel
- ORB Oil Rubbed Bronze
- Polished chrome (standard finish)

#### Options / Modifications

Append appropriate -suffix to model number.

- IPS 1/2 inch female IPS connections on Symmons Temptrol® mixing valve
- X Symmons Temptrol® pressure balancing mixing valve includes integral service stops to allow water shut-off for service, p/n S-4002-X-BODY. (Option only applies when ordering model S-5104.)
- 2.0 2.0 (7.6 L/min) Flow rate restrictor
- 1.5 1.5 (5.7 L/min) Flow rate restrictor

#### Standards / Certifications

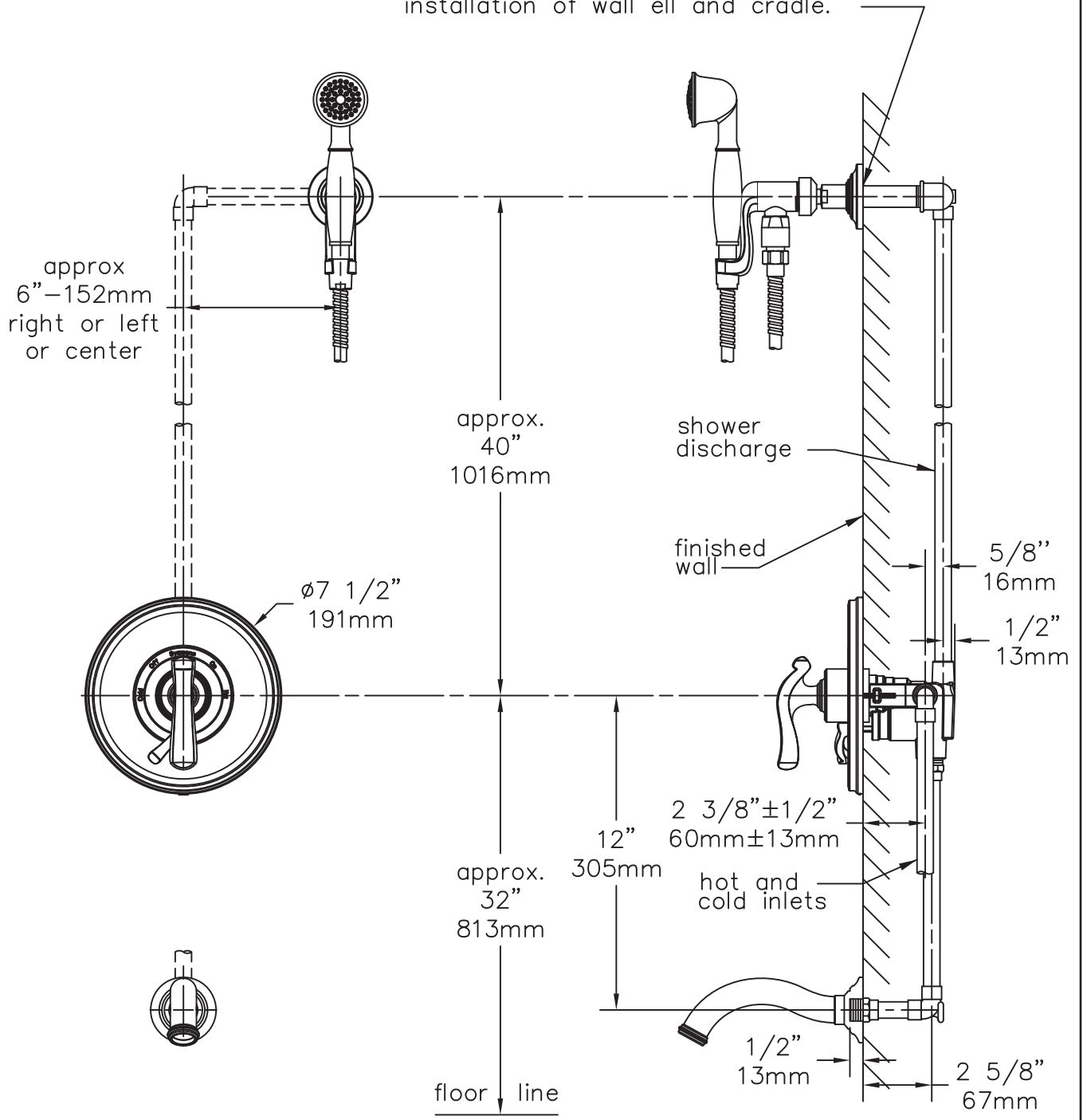
ASME A112.18.1-2005/CSA B125.1-05

#### Warranty

- Limited Lifetime - to the original end purchaser in consumer installations.
- 5 years - for commercial installations

# Dimensions Winslet Tub and Hand Shower System, S-5104

Male 1/2" I.P.S. thread must protrude 1/2" (13mm) from finished wall for proper installation of wall ell and cradle.



**Note:** Dimensions subject to change without notice.

Symmons Industries, Inc. ■ 31 Brooks Drive ■ Braintree, MA 02184  
 (800) 796-6667, (781) 848-2250 ■ Fax (800) 961-9621, (781) 664-1300  
 Website: [www.symmons.com](http://www.symmons.com) ■ Email: [customerservice@symmons.com](mailto:customerservice@symmons.com)

©2009 Symmons Industries, Inc. Printed in U.S.A. ■ 042409 ■ ZV-809

**SYMMONS**<sup>®</sup>  
 the smart choice™