

Metering Faucet

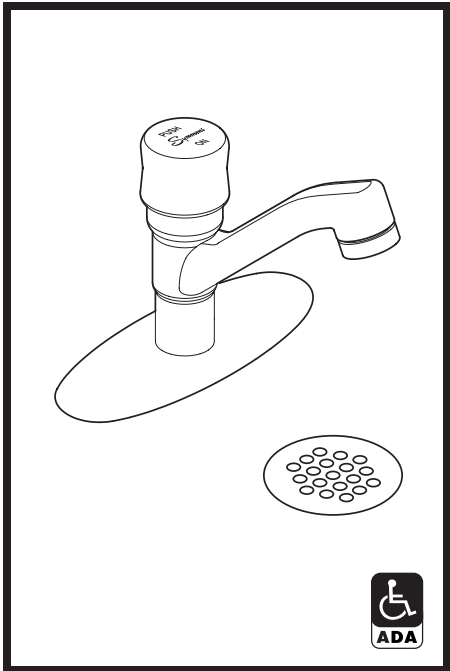
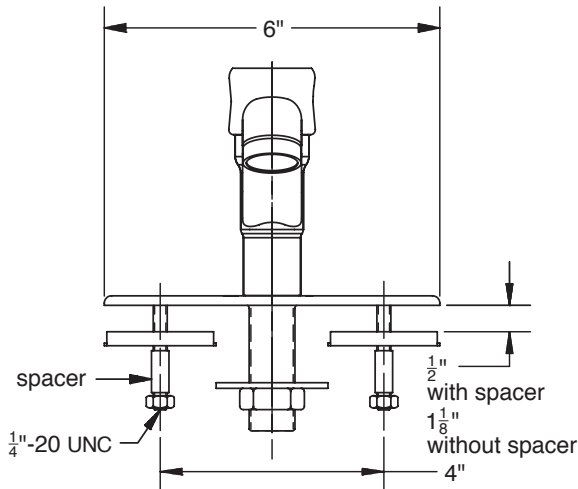
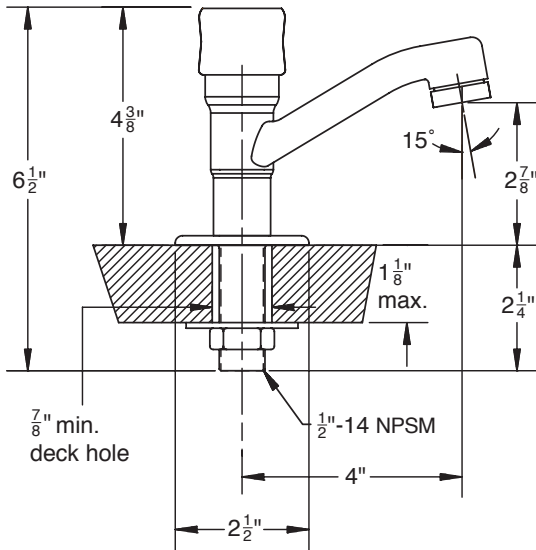
- S-72-G: With grid strainer drain assembly
- S-72: Faucet only

Symmons Metering Faucet with deck plate to accommodate 4" center 3 hole mounting sink basins. Faucet to meter a single cold or tempered water supply. Adjustable time limit stop to adjust flow time. Vandal resistant 0.5 gpm spray outlet.

Modifications:

Add:

- Suffix A: Vandal resistant aerator in place of 0.5 gpm spray outlet (1.25 GPM at 50 PSI)
- Suffix NA: Non-aerated laminar flow outlet
- Suffix QC: Quick closing feature
- Suffix OFG: Offset grid strainer
- Suffix DP: Adapter plate for 8" center installations



**SYMMONS PRODUCTS MEET
ANSI A112.18.1M, EPA '92
AND ALL KNOWN FLOW RATE
REQUIREMENTS.
Metering Faucets
0.25 gallons per cycle (1.0 L/cycle)**

Job/Location

.....

Engineer

.....

Contractor

.....

For ADA compliance (Americans with Disabilities Act) consult ADAAG or your state regulations for proper product choice and mounting locations.

Symmons Industries, Inc. ■ 31 Brooks Drive ■ Braintree, MA 02184
 (800) 796-6667, (781) 848-2250 ■ Fax (800) 961-9621, (781) 843-3849
 Website: www.symmons.com ■ Email: customerservice@symmons.com

