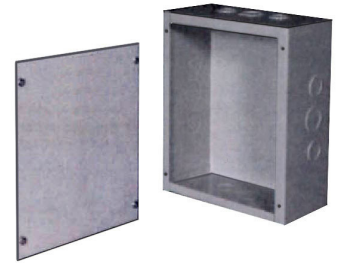


Location:



# SYMMONS® Ultra-Sense®

## Termination Enclosure Box S-6244 Specification Submittal



### Model Number

- S-6244 Standard Electrical Termination Enclosure box  
Symmons p/n SF-194

### Feature Highlights

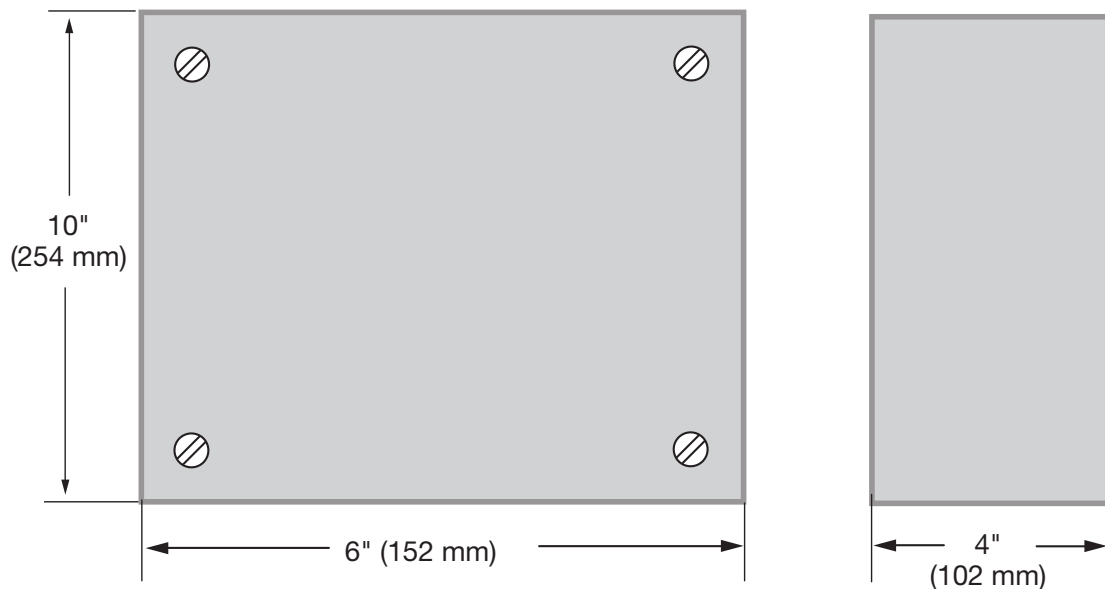
- Electrical termination enclosure for indoor applications
- Screw covered boxes constructed in galvanized steel
- Enclosure size: 6"H (152 mm) x 10"W (254 mm) x 4"D (102 mm)
- Available from Symmons and local electrical supply

### Warranty

- Limited Lifetime - to the original end purchaser in residential / consumer installations
- 5 years - for commercial installations

### Dimensions Termination Enclosure Box, S-6244

Symmons p/n, SF-194



**Note:** Dimensions subject to change without notice.