



# Lavatory Faucet SLS-3512, SLS-3510

## Installation Brief



Model SLS-3510

### Model Numbers

SLS-3512 Lavatory faucet with lift rod and pop-up drain

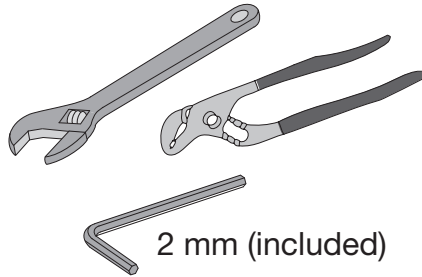
SLS-3510 Lavatory faucet only

### Decorative Finishes

Append finish suffix code to replacement part numbers when applicable

- Polished chrome (standard)

### Tools & Materials



2 mm (included)

### Need Help?

Contact Symmons customer service at (800) 796-6667, (781) 848-2250

Email: [customerservice@symmons.com](mailto:customerservice@symmons.com)  
Monday - Friday 7:30 am - 7:00 pm EST

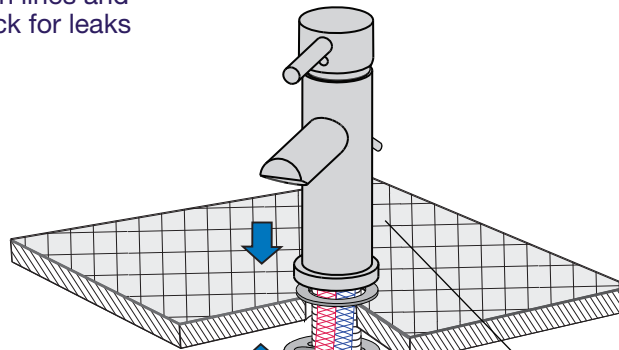
Please check Symmons website for technical help, the latest product information and warranty policy.

[www.symmons.com/service](http://www.symmons.com/service)

## Quick Install Guide Dia Lavatory Faucet, SLS-3512, SLS-3510



**Step 3**  
Flush lines and check for leaks



**Step 1**  
Attach faucet assembly

**Step 2**  
Connect supply hoses

HOT COLD

Pop-up Drain

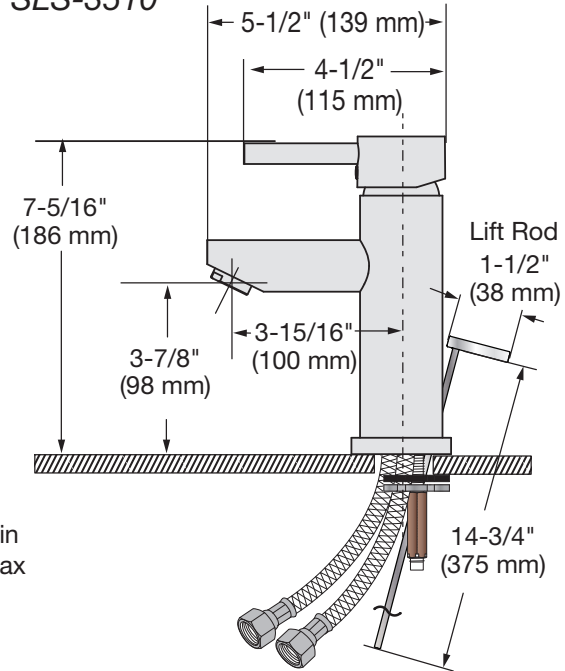
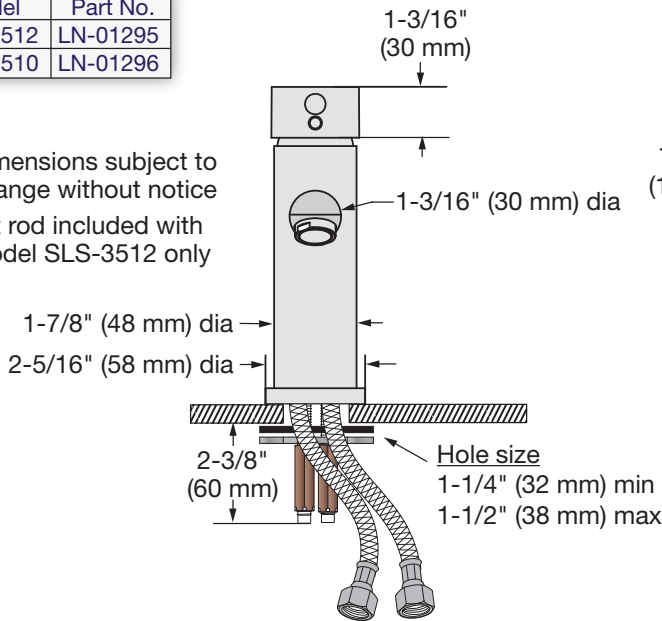
Model	Part No.
SLS-3512	LN-01295
SLS-3510	LN-01296

## Dimensions Dia Lavatory Faucet, SLS-3512, SLS-3510

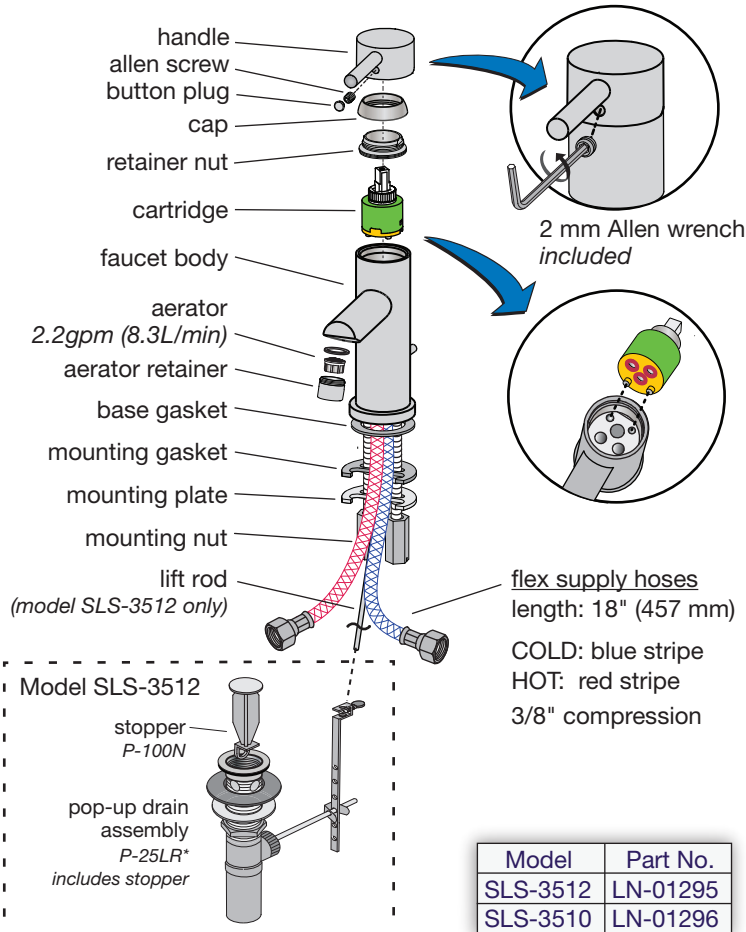
Model	Part No.
SLS-3512	LN-01295
SLS-3510	LN-01296

### Note:

- (1) Dimensions subject to change without notice
- (2) Lift rod included with model SLS-3512 only







## Parts Assembly Dia Lavatory Faucet, SLS-3512, SLS-3510



Model	Part No.
SLS-3512	LN-01295
SLS-3510	LN-01296

### Replacement Parts

Part Number	Item
LN-01413	Cartridge 
LN-15* FLR-110-1.5* FLR-110-1.0*	Aerator kits 2.2 gpm (8.3 L/min) 1.5 gpm (5.7 L/min) 1.0 gpm (3.8 L/min) <i>includes aerator, retainer &amp; washer</i> 
LN-15-2.2-NA* LN-15-1.5-NA* LN-15-1.0-NA*	Non-aerated laminar flow outlet kits 2.2 gpm (8.3 L/min) 1.5 gpm (5.7 L/min) 1.0 gpm (3.8 L/min) <i>includes aerator, retainer &amp; washer</i> 
LN-01386	Handle kit <i>includes handle, allen screw &amp; button plug</i> <i>requires 2 mm Allen wrench</i> 

### Ordering replacement parts:

Call Symmons customer service at (800) 796-6667, (781) 848-2250 M-F 7:30 am - 7:00 pm EST or check our website at [www.symmons.com](http://www.symmons.com) for a list of Symmons distributors.

\* Note: For decorative finish faucets append the appropriate suffix code letters to part numbers marked with an asterisk (\*)