

FEATURES

- Integrated diverter
- Laminar flow
- Brass construction

COLORS/FINISHES

- #CP Polished Chrome
- #BN Brushed Nickel
- #PN Polished Nickel



CODES/STANDARDS

- Meets or exceeds ASME A112.18.1/CSA B125.1
- Certifications: IAPMO(cUPC), State of Massachusetts and others
- Code Compliance: UPC, IPC, NSPC, NPC Canada, and others



PRODUCT SPECIFICATION

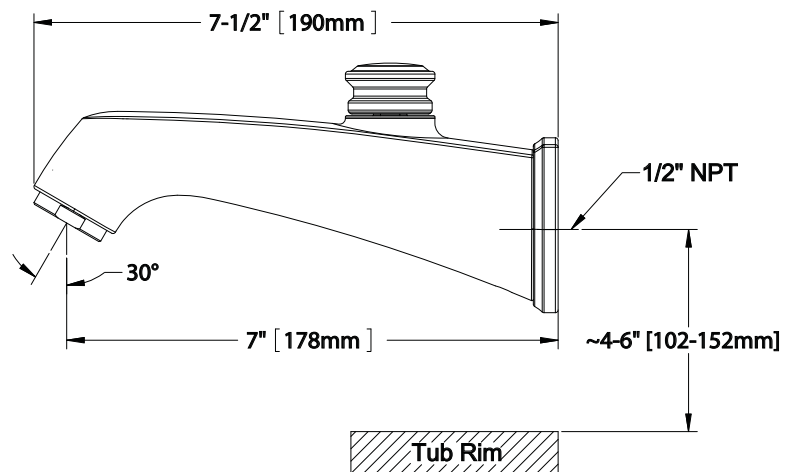
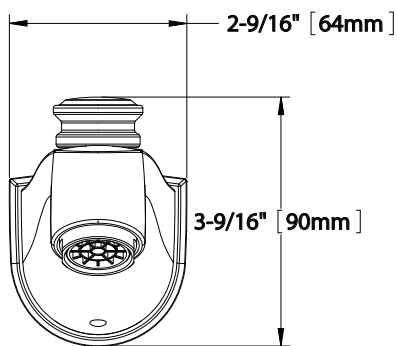
The tub spout shall have an integrated diverter and laminar flow. Product shall have brass construction. Product shall have 1/2" NPT connection. Product shall be **TOTO Model TS211EV# ____**.

TS211EV

Keane™ Diverter Tub Spout

SPECIFICATIONS

- Warranty Lifetime Limited Warranty (Residential Use)
One Year (Commercial Use)
- Material Brass
- Shipping Weight 3.0 lbs.
- Shipping Dimensions 9-1/4" L x 4-1/4" W x 3-1/2" H



TOTO®

These dimensions and specifications are subject to change without notice