

EcoPower® Urinal Flushometer Valve, 1.0 gpf

FEATURES

- Hydropower self-generating system
- Electronic flushometer valve complete with 3/4" angle stop and 1-1/4" or 3/4" vacuum breaker set
- 1.0 gpf or less
- Back spud - concealed 14" x 12" Cover plate
- 24 hour automatic flush for trap seal protection

MODELS

- TEU2GN#SS
Valve only, Surface mount, Satin finish
- TEU2GN11#SS (3/4" Vacuum breaker)
Back spud, Satin finish
Complete set supplied with:
Vacuum breaker & angle stop set - VB13RB-11
 - 3/4" Angle stop - 10077t6
 - 3/4" Vacuum breaker - 10075t6
 - Outlet tube - TH559EDV171
 - Sweat solder kit - SJ1
- TEU2GN21#SS (1-1/4" Vacuum Breaker)
Back spud, Satin finish
Complete set supplied with:
Vacuum breaker & angle stop set - VB13RB-21
 - 3/4" Angle stop - 10077t6
 - 1-1/4" Vacuum breaker - 10075t7
 - Outlet tube - TH559EDV172
 - Sweat solder kit - SJ1
- Optional Part:
Z-4000-J - Adapter for ground joint angle stops



Piston Valve

COLORS/FINISHES

- #SS Stainless Steel Satin finish

CODES/STANDARDS

- Meets or exceeds ASSE 1037, CSA B125.3
- Certifications: IAPMO(cUPC), ASSE, State of Massachusetts, City of Los Angeles, and others
- Code Compliance: UPC, IPC, NSPC, NPC Canada, and others
- ADA compliant



PRODUCT SPECIFICATION

TOTO® Model No. _____
Automatic infrared sensor activated, urinal flush valve. Heavy-duty 14" x 12" stainless steel coverplate with satin finish. Vandal resistant hex head screws. Low water consumption of 1.0 gallons per flush. Automatic sensor adjustment on installation. Manual override button incorporated. Piston valve with stainless steel self-cleaning debris screen and solenoid with self cleaning mechanism. Automatic flush every twenty four hours if not used. Angle stop and vacuum breaker included with accessories. Electrical sensor separated from valve and sealed in waterproof compartment. Through the use of TOTO's EcoPower® Flush Valves, using the valve 12 flushes per day will fully recharge the valve for up to 10 years.

TEU2GN Series

EcoPower® Urinal Flushometer Valve, 1.0 gpf

SPECIFICATIONS

- Warranty Three Year Warranty
- Material Bronze casting with stainless steel satin finish
- Power Supply Hydropower self-generating system
- Water Supply 3/4" NPT
- Detection time Factory setting at six (6) seconds minimum
- Detection range Self-adjusting to environment
- Discharge quantity Preset to 1.0 gpf / 3.8 lpf
- Urinal type Low consumption wash down and jetted flush design urinals
- Operating temperature 32°-104°F (0°-40°C)
- Supply water pressure 15 psi - 125 psi*
- Trap seal protection Automatically flushes once after twenty-four (24) hours of non-use

These specifications are subject to change without notice.
 *Water pressures over 80 psi are not recommended for most plumbing fixtures.
 Check your local plumbing code for details.

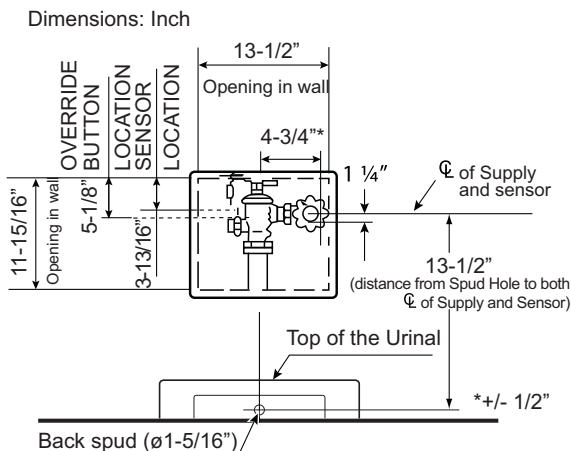
INSTALLATION NOTES

The recommended installation for the urinal flushometer valve is to have a 7" (178mm) minimum space in wall.

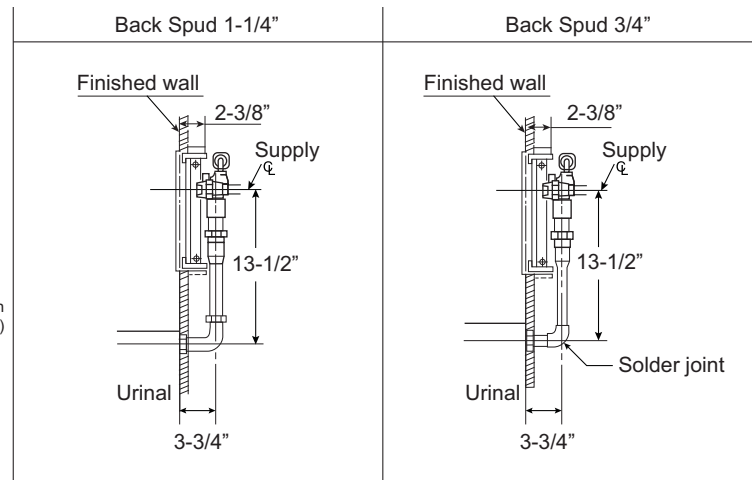
NOTES

TOTO's 1.0 gpf EcoPower flush valves use "Fuzzy Logic" technology to offer further water conservation. The flush valve's microprocessor measures the duration and frequency of use, then calculates the appropriate average volume per flush. In facilities with frequent use, the flush valve issues less water per flush with a full flush occurring every 5 uses. In facilities with infrequent use, the valve delivers the full flush every time.

DIAGRAM



RECOMMENDED INSTALLATION



TOTO

These dimensions and specifications are subject to change without notice