

## High-Efficiency Urinal EcoPower® Flushometer Valve, 0.5 gpf

### FEATURES

- Hydropower self-generating system
- Electronic flushometer valve complete with 3/4" angle stop and 1-1/4" or 3/4" vacuum breaker set
- 0.5 gpf or less
- Back spud - concealed 14" x 12" Cover plate
- 12 hour automatic flush for trap seal protection

### MODELS

- TEU2LN#SS  
Valve only, Surface mount, Satin finish
- TEU2LN11#SS (3/4" Vacuum breaker)  
Back spud, Satin finish  
Complete set supplied with:  
Vacuum breaker & angle stop set - VB13RB-11
  - 3/4" Angle stop - 10077t6
  - 3/4" Vacuum breaker - 10075t6
  - Outlet tube - TH559EDV171
  - Sweat solder kit - SJ1
- TEU2LN21#SS (1-1/4" Vacuum breaker)  
Back spud, Satin finish  
Complete set supplied with:  
Vacuum breaker & angle stop set - VB13RB-21
  - 3/4" Angle stop - 10077t6
  - 1-1/4" Vacuum breaker - 10075t7
  - Outlet tube - TH559EDV172
  - Sweat solder kit - SJ1
- Optional Part:  
Z-4000-J - Adapter for ground joint angle stops



Piston Valve

### COLORS/FINISHES

- #SS Stainless Steel Satin finish

### CODES/STANDARDS

- Meets or exceeds ASSE 1037, CSA B125.3
- Certifications: IAPMO(cUPC), ASSE, State of Massachusetts, City of Los Angeles, and others
- Code Compliance: UPC, IPC, NSPC, NPC Canada, and others
- ADA compliant



### PRODUCT SPECIFICATION

TOTO® Model No. \_\_\_\_\_  
Automatic infrared sensor activated, urinal flush valve. Heavy-duty 14" x 12" stainless steel coverplate with satin finish. Vandal resistant hex head screws. Lower water consumption of 0.5 gallon per flush. Automatic sensor adjustment on installation. Manual override button incorporated. Piston valve with stainless steel self cleaning debris screen and solenoid with self cleaning mechanism. Automatic flush every twelve hours if not used. Angle stop and vacuum breaker included with accessories. Electrical sensor separated from valve and sealed in waterproof compartment. Through the use of TOTO's EcoPower® Flush Valves, using the valve 30 flushes per day will fully recharge the valve for up to 10 years.

# TEU2LN Series

## High-Efficiency Urinal EcoPower® Flushometer Valve, 0.5 gpf

### SPECIFICATIONS

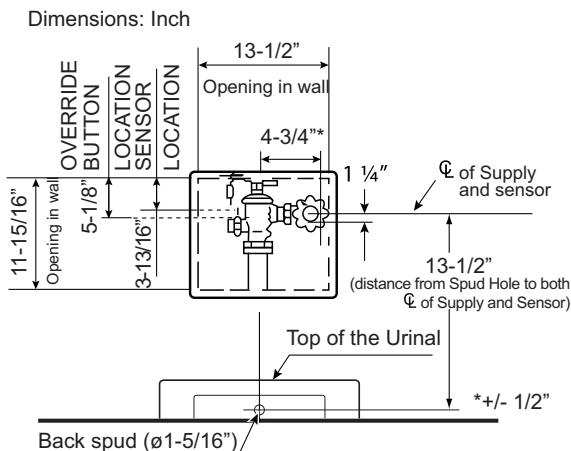
- Warranty Three Year Warranty
- Material Bronze casting with stainless steel finish
- Power Supply Hydropower self-generating system
- Water Supply 3/4" NPT
- Detection time Factory setting at six (6) seconds minimum
- Detection range Self-adjusting to environment
- Discharge quantity Preset to 0.5 gpf / 2.4 lpf
- Urinal type Low consumption wash down and jetted flush design urinals
- Operating temperature 32°-104°F (0°-40°C)
- Supply water pressure 15 psi - 125 psi\*
- Trap seal protection Automatically flushes once after twelve (12) hours of non-use

These specifications are subject to change without notice.  
 \*Water pressures over 80 psi are not recommended for most plumbing fixtures.  
 Check your local plumbing code for details.

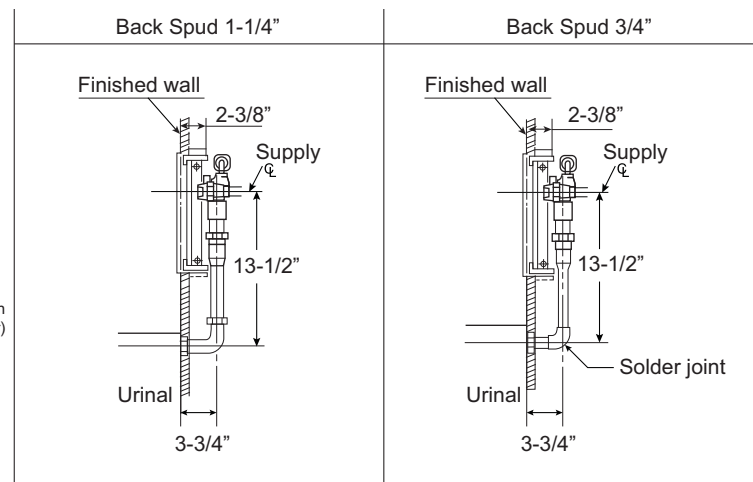
### INSTALLATION NOTES

The recommended installation for the urinal flushometer valve is to have a 7" (178mm) minimum space in wall.

### DIAGRAM



### RECOMMENDED INSTALLATION



**TOTO®**

These dimensions and specifications are subject to change without notice