

Volume Control Valve (Rough Valve only)

FEATURES

- NPT connection

CODES/STANDARDS

- Meets or exceeds ASME A112.18.1/CSA B125.1
- Certifications: IAPMO(cUPC), State of Massachusetts, City of Los Angeles, and others
- Code Compliance: UPC, IPC, NSPC, NPC Canada, and others



PRODUCT SPECIFICATION

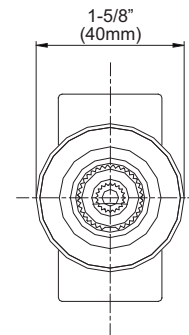
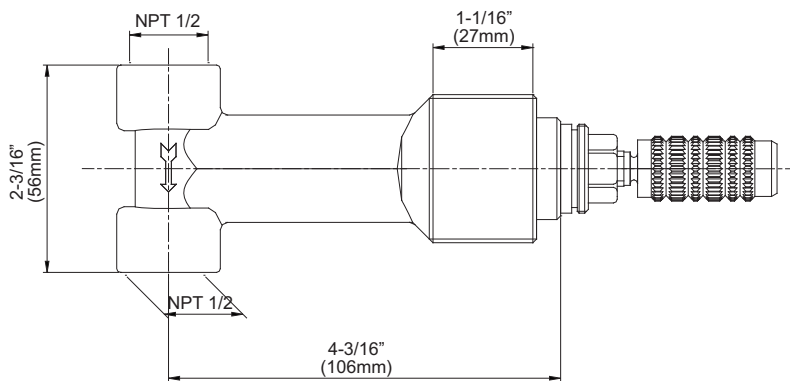
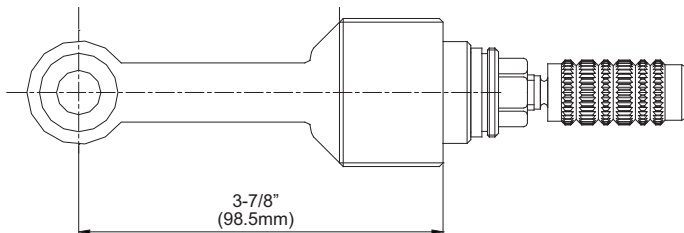
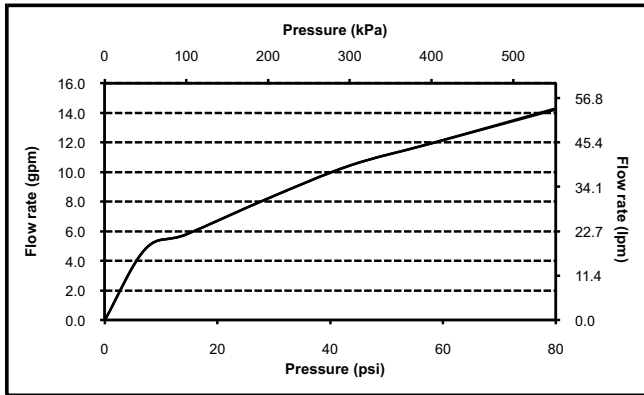
The volume control valve shall have a NPT connection.
Volume control valve shall be TOTO Model TS6A.

TS6A

Volume Control Valve (Rough Valve only)

SPECIFICATIONS

- Warranty Lifetime Limited Warranty (Residential Use)
One Year (Commercial Use)
- Material Brass
- Shipping Weight 1.68 lbs.
- Shipping Dimensions 6-1/4" L x 3-1/2" W x 3" H



TOTO

These dimensions and specifications are subject to change without notice