

## Clayton® 66" x 34" Soaker Bathtub

### FEATURES

---

- 66" x 34" x 24-3/4"
- Luxuriously deep bathing well
- Cast-acrylic construction provides high durability
- Slip-resistant surface
- Optional solid brass grab bar with various finishes

### COLORS/FINISHES

---

- Shell Color
  - #01 Cotton
  - #12 Sedona Beige
- Grab Bar
  - #CP Polished Chrome
  - #BN Brushed Nickel
  - #PN Polished Nickel

### CODES/STANDARDS

---

- Meets and exceeds ANSI Z124.1.2, CSA B45
- Certifications: IAPMO(cUPC), State of Massachusetts, City of Los Angeles and others
- Code Compliance: UPC, IPC, NSPC, NPC Canada, and others



### PRODUCT SPECIFICATION

---

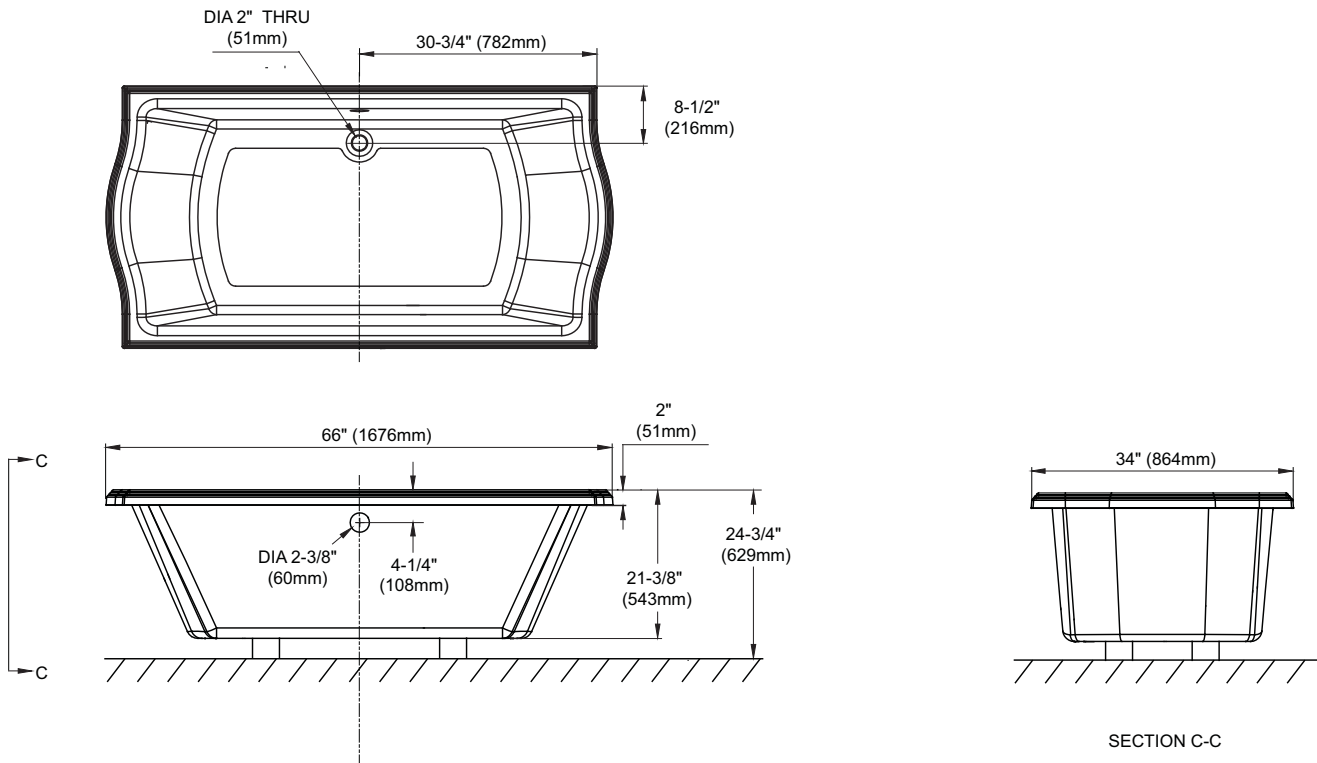
The TOTO® Clayton® Soaker Bathtub shall have a luxuriously deep bathing well. The Soaker Bathtub shall have a cast-acrylic construction that provides high durability with a slip-resistant surface. The Soaker Bathtub shall have an optional solid brass grab bar with various finishes. Soaker Bathtub shall be TOTO Model ABY785N\_\_\_\_.

# ABY785N

## Clayton® 66" x 34" Soaker Bathtub

### SPECIFICATIONS

- Size 66" L x 34" W
- Depth 21"
- Warranty 1 Year Limited Warranty on acrylic tub  
1 Year Limited Warranty on components and parts
- Material Lucite Cast Acrylic
- Shipping Weight 80 lbs.
- Shipping Dimensions 68" L x 39" W x 27" H
- Gallons 80 to overflow



**TOTO®**

*These dimensions and specifications are subject to change without notice*

Ph: (888) 295-8134 | Fax: (800) 699-4889 | www.totousa.com

Printed in U.S.A. | © TOTO LTD. 07/09 | Printed on recycled paper ♻️

# SS-00184, v.02