

Undercounter Lavatory

FEATURES

- 19-11/16" x 13-3/4"
- Optional SanaGloss® ceramic glaze - prevents debris and mold from sticking to ceramic surfaces, leading to fewer chemicals and less water in cleaning
- Rear overflow
- ADA compliant
- Vitreous china
- Mounting assembly complete with installation template and mounting screw set

MODELS

- LT546G
With SanaGloss glazing (#01, #03, #11, #12)
- LT546
Without SanaGloss glazing (#51 only)

COLORS/FINISHES

- #01 Cotton
- #03 Bone
- #11 Colonial White
- #12 Sedona Beige
- #51 Ebony (not available with SanaGloss)

CODES/STANDARDS

- Meets and exceeds ASME A112.19.2/CSA B45.1
- Certifications: IAPMO(cUPC), State of Massachusetts, City of Los Angeles, and others
- Meets ADA guidelines and ANSI A117.1 requirements when countertop is installed 864mm (34") from finished floor and lavatory is installed 205mm (8-1/8") minimum from front edge.



PRODUCT SPECIFICATION

The undercounter lavatory shall be made of vitreous china. Lavatory shall be 19-11/16" in length and 13-3/4" in width. Product shall be with overflow and lavatory shall include mounting assembly and be ADA compliant. Lavatory model LT546G shall have SanaGloss ceramic glaze. Lavatory shall be TOTO Model 546_____.



SanaGloss

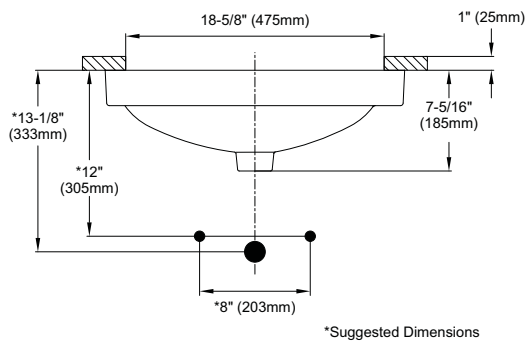
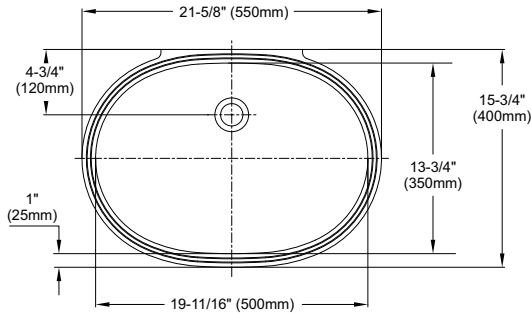
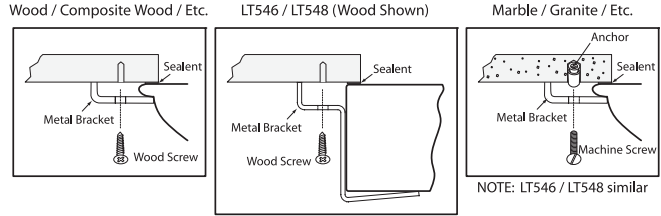
LT546(G)

Undercounter Lavatory

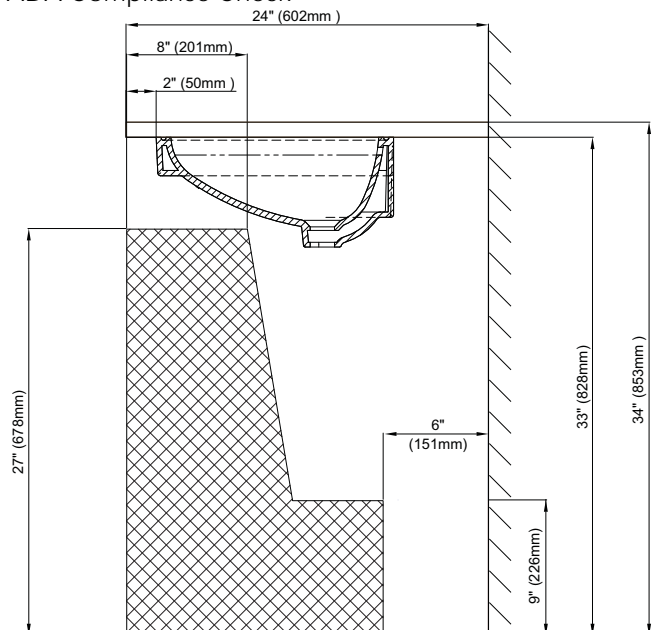
SPECIFICATIONS

- Waste 1-1/4" O.D.
- Size 21-5/8" W x 15-3/4" D
- Basin 19-11/16" W x 13-3/4" D
- Warranty One Year Limited Warranty
- Material Vitreous china
- Shipping Weight 20.8 lbs.
- Shipping Dimensions 22-5/8" W x 17" L x 9-5/8" H

INSTALLATION NOTES



ADA Compliance Check



TOTO

These dimensions and specifications are subject to change without notice