

## Maris™ Undercounter Lavatory

### FEATURES

- 20-5/16" x 15-9/16" Undercounter lavatory
- Mounting assembly complete with installation template and mounting screw set
- ADA compliant (with overflow to the rear)
- Optional SanaGloss® ceramic glaze - prevents debris and mold from sticking to ceramic surfaces, leading to fewer chemicals and less water in cleaning



### MODELS

- LT481G - with SanaGloss (#01, #03, #11, #12)
- LT481 - without SanaGloss (#51)

*SanaGloss*

### COLORS/FINISHES

- #01 Cotton
- #03 Bone
- #11 Colonial White
- #12 Sedona Beige
- #51 Ebony

### CODES/STANDARDS

- Meets and exceeds ASME A112.19.2/CSA B45.1
- Certifications: IAPMO(cUPC), State of Massachusetts, City of Los Angeles, and others
- Meets ADA guidelines and ANSI A117.1 requirements when countertop is installed 864mm (34") from finished floor and lavatory is installed 51mm (2") minimum from front edge.



### PRODUCT SPECIFICATION

The undercounter lavatory shall be made of vitreous china. Lavatory shall be 20-5/16" in length and 15-9/16" in width. Product shall be with overflow and lavatory shall include mounting assembly. Lavatory shall be TOTO Model LT481\_\_\_\_\_.

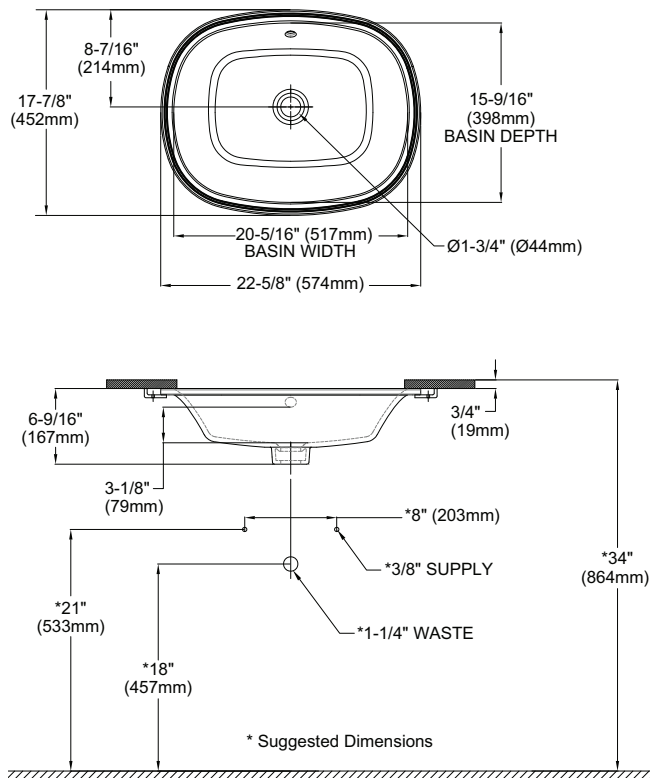
# LT481(G)

## Maris™ Undercounter Lavatory

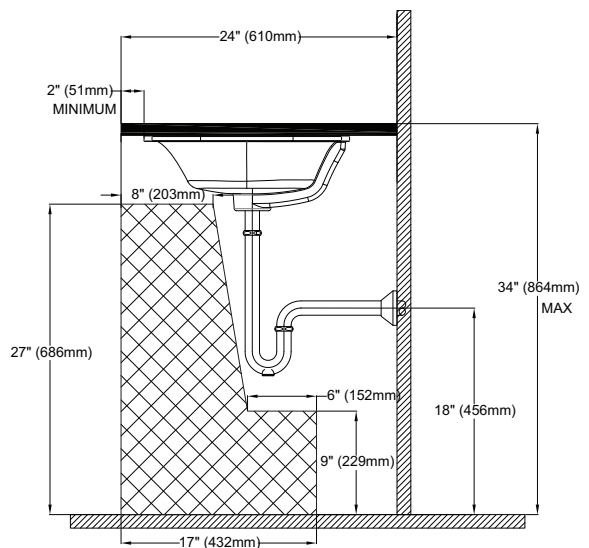
### SPECIFICATIONS

- Waste 1-1/4" O.D.
- Size 22-5/8"W x 17-7/8"D
- Basin 20-5/16"W x 15-9/16"D
- Warranty One Year Limited Warranty
- Material Vitreous china
- Shipping Weight 22lbs.
- Shipping Dimensions 23-5/8" x 18-7/8" x 7-7/8"

### INSTALLATION NOTES



ADA Compliance Check  
 Note: Overflow must be at rear



These dimensions and specifications are subject to change without notice