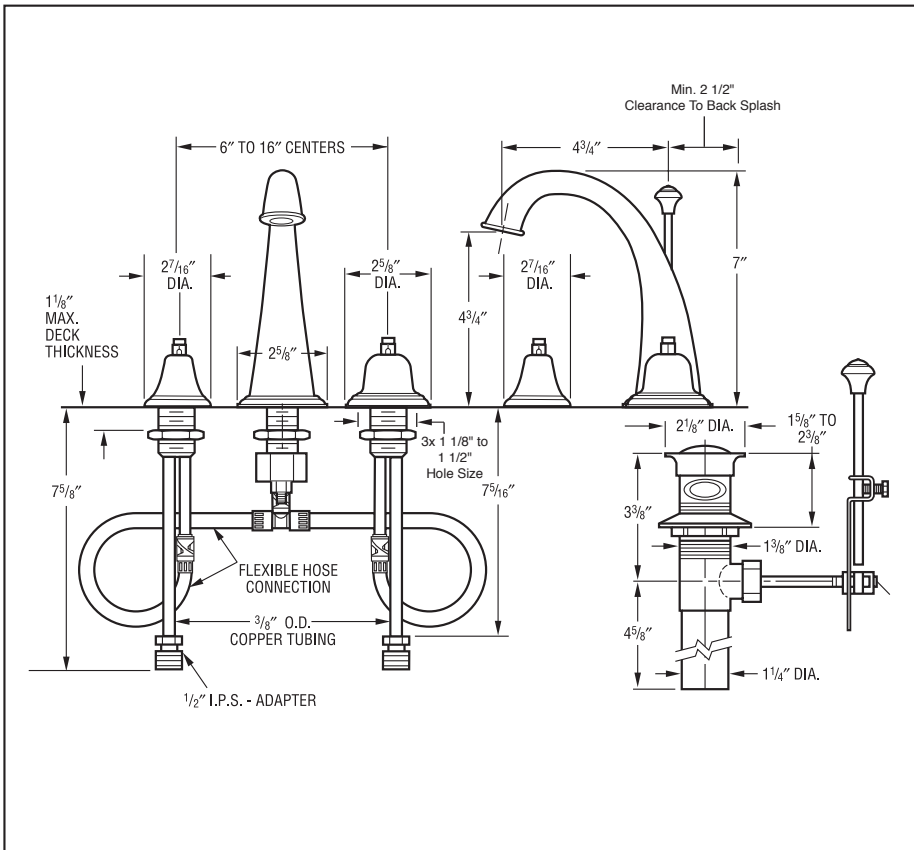


Submitted Model No.: _____

Specific Features: _____



BRIZO[®] LAVATORY FAUCETS

- Providence Classic™ and Belle™ Series
- Ceramic Disc Valving
- Two Handle Widespread Deck Mount
- 3 Hole Sink Applications
- 6" – 16" Centers
- Quick Snap® Installation

STANDARD SPECIFICATIONS:

- Solid brass fabricated end valve and spout bodies.
- Widespread – 6" to 16" centers.
- Ceramic disc valving.
- Hot and cold stems are interchangeable.
- Control mechanism shall be of the rotating cylinder type with 90° rotation, with replaceable non-metallic seats operating in stainless steel lined sockets.
- ¼ turn stop may be removed for 180° rotation.
- Quick Snap® installation.
- Metal drain has pop-up type fitting with plated flange and stopper.
- Note: Standard mounting deck thickness can be extended 1" with RP10612.

WARRANTY

- Lifetime limited warranty on parts (other than electronic parts and batteries) and finishes: or, for commercial users, for 5 years from date of purchase.
- 5 year limited warranty on electronic parts (other than batteries); or, for commercial users, for 1 year from the date of purchase. No warranty is provided on batteries.

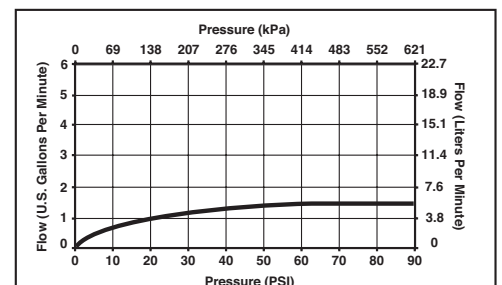
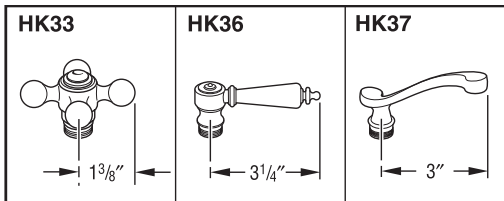


COMPLIES WITH:

- ASME A112.18.1 / CSA B125.1
- ASME A112.18.2 / CSA B125.2

Indicates compliance to ICC/ANSI A117.1

Available LHP Handle Options
▲ Designate proper finish suffix



Delta Faucet Company

Indianapolis, Indiana 46280
A Division of Masco Corporation of Indiana
© 2012 Masco Corporation of Indiana

Delta reserves the right (1) to make changes in specifications and materials, and (2) to change or discontinue models, both without notice or obligation. Dimensions are for reference only. See current full-line price book for finish options and product availability.

BSP-L-6520LF-LHP Rev. A