

Promenade® Close Coupled Toilet, 1.6GPF

FEATURES

- G-Max® flushing system, low consumption (1.6GPF/6.0LPF)
- Universal Height
- Round bowl
- Optional CeFiONtect™ ceramic glaze - prevents debris and mold and bacteria from sticking to ceramic surfaces, leading to fewer chemicals and less water in cleaning.
- Decorative two-piece design with high-profile tank
- Chrome trip lever
- ADA compliant for residential or hospitality use

MODELS

- CST423SFG
With CeFiONtect ceramic glaze
- CST423SF

COMPONENTS

- C423EFG
Round bowl with CeFiONtect
- C423EF
Round bowl less CeFiONtect
- ST424S
Tank and cover only
- SS113 SoftClose® seat (sold separately)
- SS303 SoftClose® maple seat (sold separately)

COLORS/FINISHES

- Standard
 - #01 Cotton
 - #03 Bone
 - #11 Colonial White
 - #12 Sedona Beige
 - #51 Ebony (not available with CeFiONtect)

PRODUCT SPECIFICATION

The two-piece G-Max flushing system toilet shall be 1.6GPF/6.0LPF. Toilet shall have high-profile tank, round front bowl and chrome trip lever. Toilet model CST423SFG shall have CeFiONtect ceramic glaze. Toilet shall be TOTO Model CST423SF_____.



CODES/STANDARDS

- Meets and exceeds ASME A112.19.2/CSA B45.1
- Certifications: IAPMO(cUPC), State of Massachusetts, City of Los Angeles, and others
- Code compliance: UPC, IPC, NSPC, NPC Canada, and others
- ADA compliant (when installed with trip lever located on the approach side)



CST423SF(G)

Promenade® Close Coupled Toilet, 1.6GPF

SPECIFICATIONS

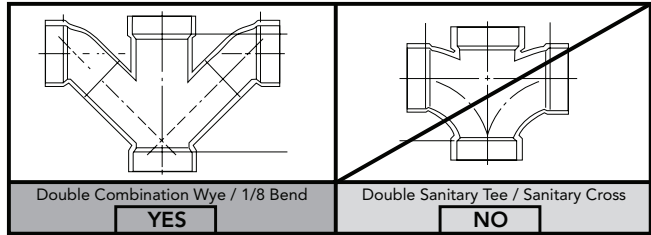
- Water Use 1.6 GPF/6.0LPF
- Flush System G-Max
- Min. Water Pressure 8 psi (static)
- Water Surface 8-7/8" x 6-3/8"
- Trap Diameter 2-1/8"
- Rough-in 12"
- Trap Seal 2-1/4"
- Warranty One Year Limited Warranty
- Material Vitreous china
- Shipping Weight C423EF(G) - 54lbs
ST423S - 41.5lbs
- Shipping Dimensions C423EF(G)
27" L x 10-3/4" W¹ x 16" W² x 17-1/2" H

ST424S
18-7/8" L x 8-5/8" W x 18-1/8" H

INSTALLATION NOTES

Back-to-Back Toilet Installations:

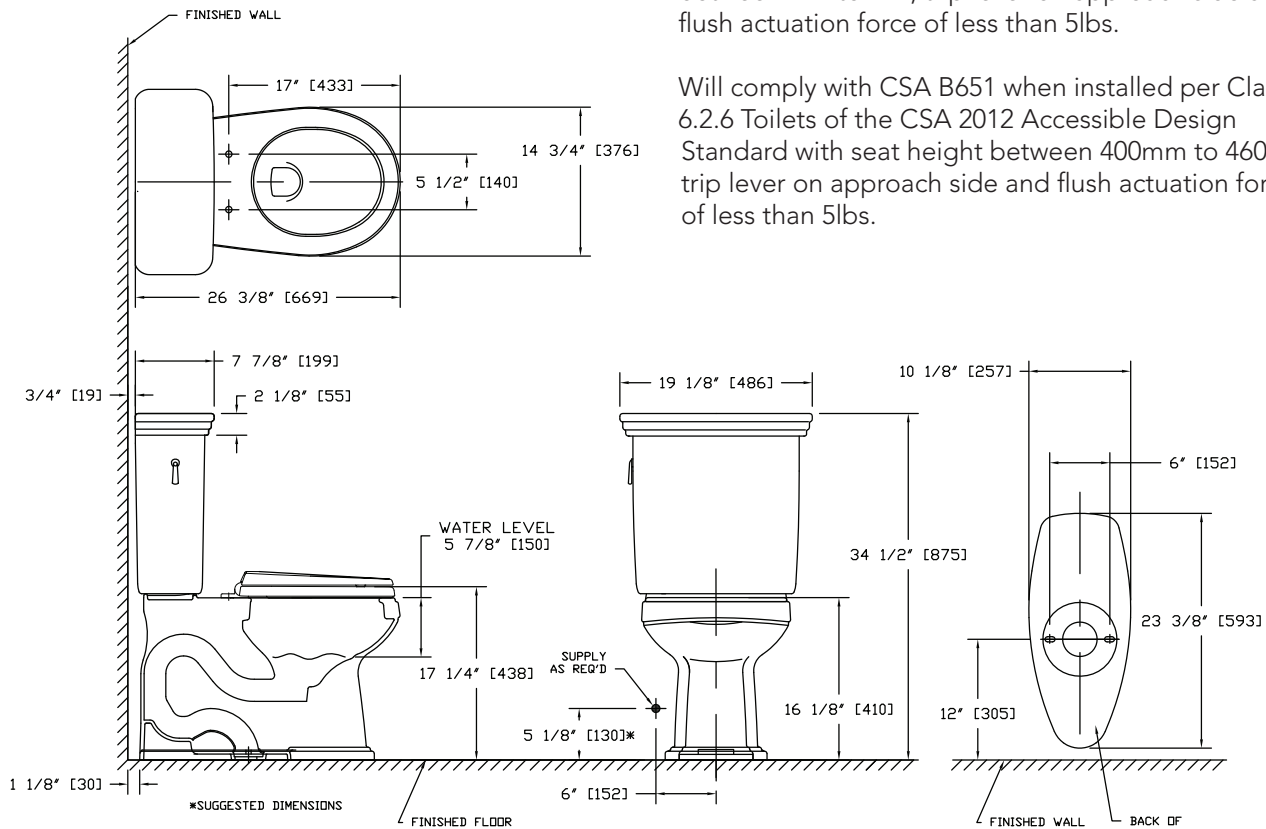
TOTO recommends the use of a nationally listed, double sanitary tee-wye only, in vertical waste stacks, in accordance with the stipulations noted in the majority of nationally recognized plumbing codes.



To maintain adequate wall gap between the back of the tank and wall, mount the floor flange at a nominal 12" rough-in distance.

Will comply with ADA when installed per Section 604 Water Closets and Toilet Compartments of the ADA 2010 Accessible Design Standard with seat height between 17" to 19", trip lever on approach side and flush actuation force of less than 5lbs.

Will comply with CSA B651 when installed per Clause 6.2.6 Toilets of the CSA 2012 Accessible Design Standard with seat height between 400mm to 460mm, trip lever on approach side and flush actuation force of less than 5lbs.



TOTO

These dimensions and specifications are subject to change without notice