

## SPECIFICATIONS

### SHOWER ACCESSORIES

#### Finishes Available

- Chrome
- Other: Refer to the Price List for additional finishes

#### Standards



• UPC/cUPC

#### Warranty

Danze products are covered by a manufacturer's limited "lifetime" warranty for manufacturing defects.



D469100 - Showerarm Mount

#### Description

- With brass ball joint & integral check valve



D469060 - Supply Mount\*

#### Description

- Adjustable handshower holder
- Solid brass 1/2" supply fitting with integral check valve
- Metal housing



D469058 - R1 Supply Elbow

#### Description

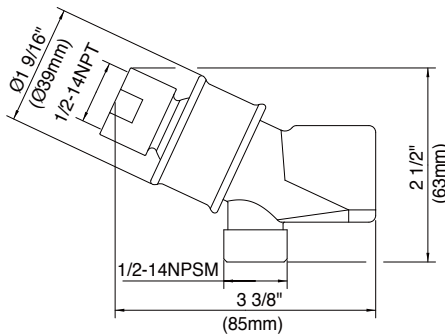
- Attaches to handshower hose
- 1/2" brass water supply connection
- Includes integral check valve for back flow prevention



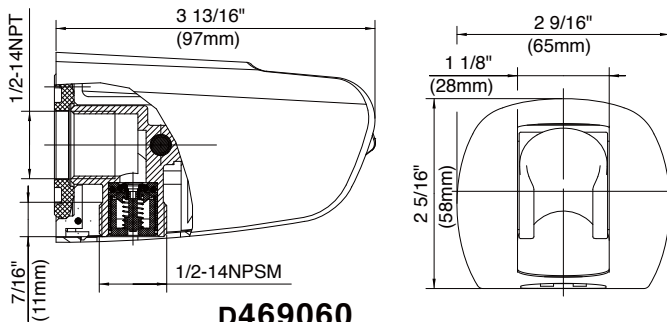
D469050 - Two Position Wall Mount Bracket

#### Description

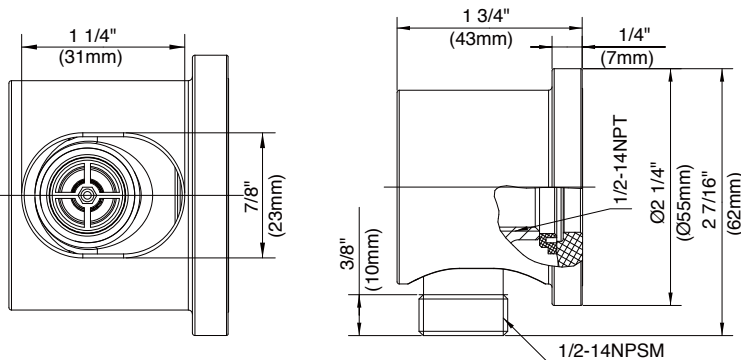
- 2 position handshower holder



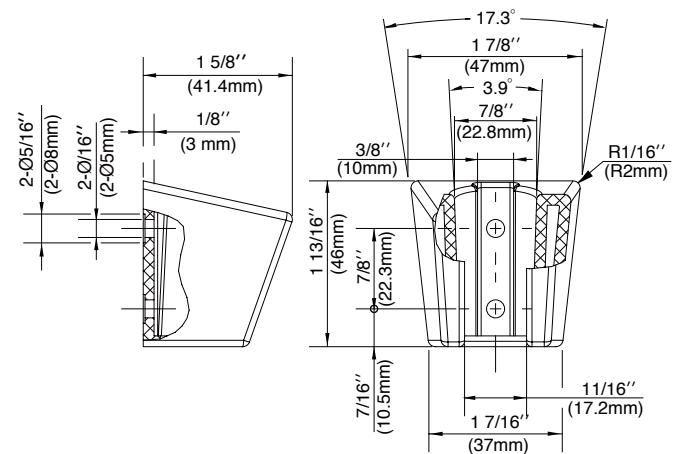
**D469100**



**D469060**



**D469058**



**D469050**

\* Additional supply outlet for handshower is not required when using this supply mount.

Submittal Information:

Job Name: \_\_\_\_\_

Location: \_\_\_\_\_

Contractor: \_\_\_\_\_

Contact #: \_\_\_\_\_