



## QZES-3011 Granite Entertainment Sink

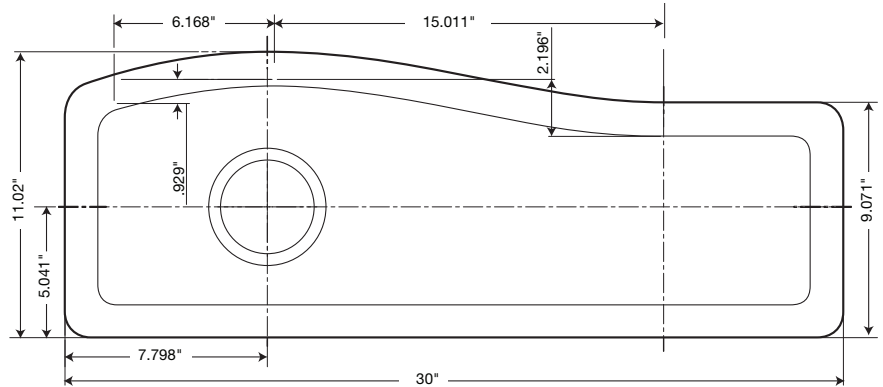
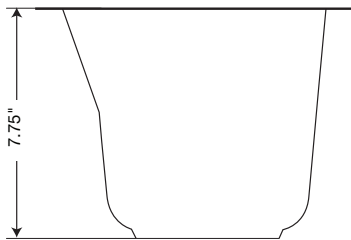
WARRANTY  
 Limited Lifetime – Residential  
 Limited 10-year – Commercial

**Manufactured from Quartz**  
 (See page 2 for detailed information.)

*Recommended for high-use traffic areas and commercial surfaces.*

### FEATURES

- Made with 80% quartz natural stone, only a diamond is harder.
- Ideal for bar and food prep and cleanup.
- Superb heat and scratch resistance.
- Installs as a drop-in or undermount.



Capacity: 4-1/2 gallons

### SPECIFICATIONS

#### QZES-3011 Granite Entertainment Sink

Model	Part	Nominal Dimensions	Ship Wt. Lb.	Ship FedEx	Carton Dims. In.	Cu. Ft.
QZES-3011	QZ03011ES	30" W x 11" D (761 mm x 280 mm)	18	FedEx	33 x 14 x 12	3.18

### COLORS

(See inside back cover for color sample.)

- Bianca (075)
- Espresso (170)
- Granito (076)
- Metallico (173)
- Nero (077)

### MAINTENANCE AND CLEANING INFORMATION

Clean your Swan Granite Sink by using warm water and a soft clean cloth, sponge or Mr. Clean® Magic Eraser®. Non-abrasive liquid cleaners and detergents can also be used. Hard water, calcium and lime deposits can be removed with white vinegar on a paper towel and rinsing after 20 minutes. To restore luster and extend time between cleanings Weiman® Granite Cleaner & Polish is recommended. Staining liquids, such as dyes and vegetable juices should be rinsed off as soon as possible. **Do not** use abrasive cleaners, metal-scouring pads, and bleach or alkali cleaners, such as ammonia.

### STANDARDS AND RATINGS

American National Standard Institute—ANSI Z124.6  
 International Association of Plumbing and Mechanical Officials (IAPMO) – listed  
 cUPC listed – Certified to CSA Standard B45 by IAPMO  
 Heat resistance to 392°F, 200°C

### SUPPORT DOCUMENTS

Installation instructions available at [swanstone.com](http://swanstone.com).

Undermount clips sold separately. Faucet options are limited to available hole placement. Please contact your dealer for more information.