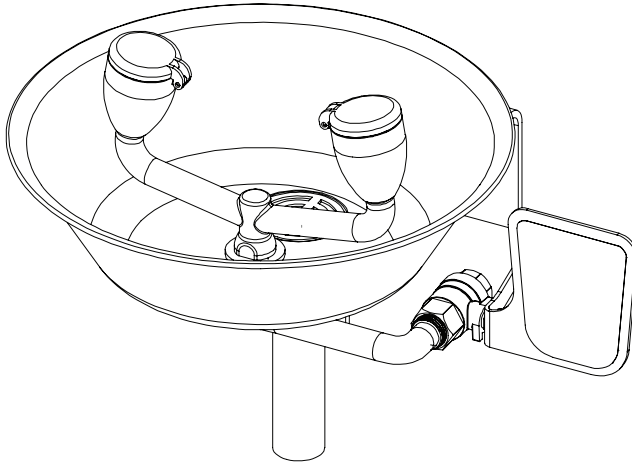


# SPEAKMAN®

## Wall Mounted Round Eyewash Bowl

SE-580

### SPECIFICATION



### FEATURES:

- (2) aerated yellow plastic spray outlets
- ABS plastic bowl
- ½ in. NPT female brass, chrome-plated valve
- Stainless steel push handle activator
- ½ in. NPT female inlet
- 3.18 gpm @ 30 psi
- Integral basin drain with 1/2 in. NHT fitting
- Universal emergency sign included

### COMPLIANCE:

- Certified to ANSI/ISEA Z358.1

### OPTIONS:

ADD SUFFIX TO MODEL #

- |   |                                 |
|---|---------------------------------|
| • Freeze protection valve                 | <input type="checkbox"/> -FPV   |
| • Hand/foot operation                     | <input type="checkbox"/> -HFO   |
| • SE-920 hand held drench hose            | <input type="checkbox"/> -HS    |
| • In-line strainer for 1/2 in. IPS piping | <input type="checkbox"/> -ILS   |
| • P-Trap                                  | <input type="checkbox"/> -PT    |
| • Scald protection valve                  | <input type="checkbox"/> -SPV   |
| • ½ in. stainless steel ball valve        | <input type="checkbox"/> -SSBV2 |

### WARRANTY:

- 3 year limited

SEE REVERSE FOR ROUGH-IN DIMENSIONS

THIS SPACE FOR ARCHITECT/ENGINEER APPROVAL.

# SPEAKMAN®

400 ANCHOR MILL ROAD | NEW CASTLE, DE 19720  
P: 800-537-2107 | F: 800-977-2747  
WWW.SPEAKMANCOMPANY.COM

REVISION DATE: SEPTEMBER 2014



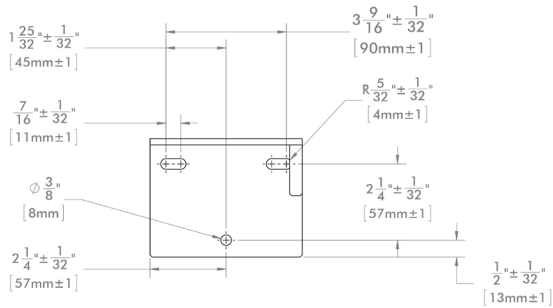
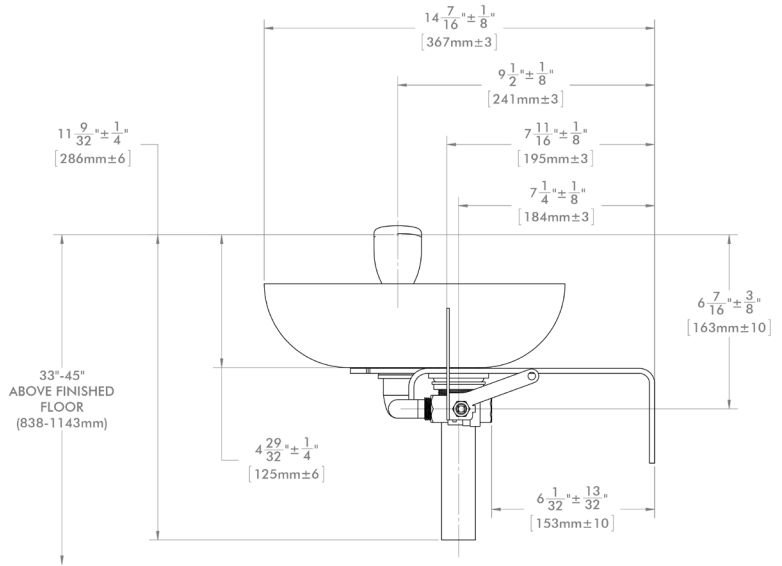
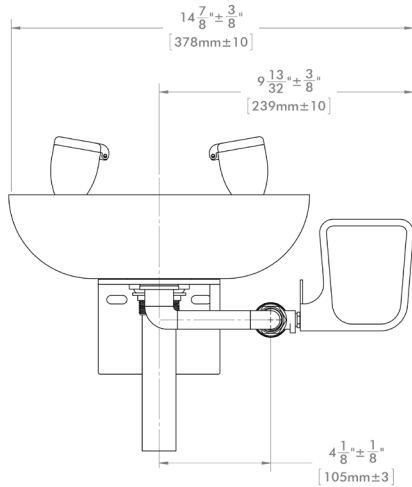
Management Systems  
Registered to ISO 9001

635

# SPEAKMAN®

## Wall Mounted Round Eyewash Bowl SE-580

### SPECIFICATION



NOTE: 1. All dimensions are in inches (millimeters) unless otherwise specified and are subject to change without notice.

THIS SPACE FOR ARCHITECT/ENGINEER APPROVAL.

# SPEAKMAN®

400 ANCHOR MILL ROAD | NEW CASTLE, DE 19720  
 P: 800-537-2107 | F: 800-977-2747  
 WWW.SPEAKMANCOMPANY.COM



Management Systems  
 Registered to ISO 9001

REVISION DATE: SEPTEMBER 2014