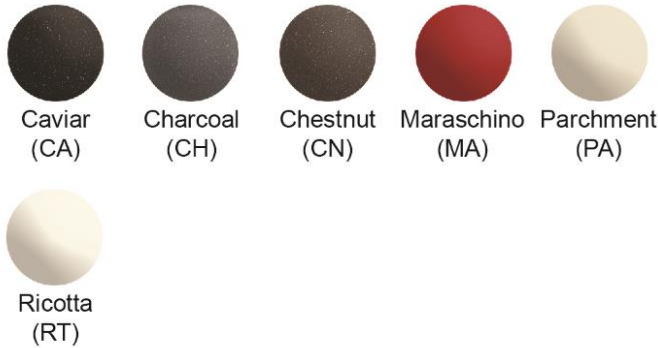


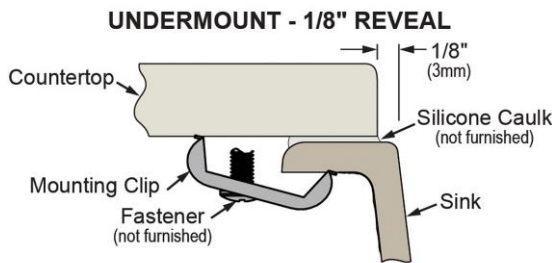
**PRODUCT SPECIFICATIONS**

Elkay Quartz Luxe 35-7/8" x 20-15/16" x 9" Single Bowl Farmhouse Undermount Sink with Perfect Drain. Proprietary manufacturing process that combines natural quartz with high performance UV-stable acrylic resins, along with a patented webbing and embedded organic fibers that results in an impact resistant, non-porous and heat, scratch, stain and fade resistant surface. Naturally sound deadening and Rear Center drain placement.

<b>Installation Type:</b>	Farmhouse
<b>Material:</b>	Quartz
<b>Special Features:</b>	Perfect Drain
<b>Finish:</b>	Caviar (CA), Charcoal (CH), Chestnut (CN), Maraschino (MA), Parchment (PA), Ricotta (RT)
<b>Number of Bowls:</b>	1
<b>Sink Dimensions:</b>	35-7/8" x 20-15/16" x 9"
<b>Bowl 1 Dimensions:</b>	32-1/2" x 17" x 9"
<b>Drain Size:</b>	3-1/2" (89mm)
<b>Drain Location:</b>	Rear Center
<b>Minimum Cabinet Size:</b>	36"



**Installation Profile:**



Designed to affix to the underside of any solid surface countertop.

PART: \_\_\_\_\_ QTY: \_\_\_\_\_

PROJECT: \_\_\_\_\_

CONTACT: \_\_\_\_\_

DATE: \_\_\_\_\_

NOTES: \_\_\_\_\_

APPROVAL: \_\_\_\_\_



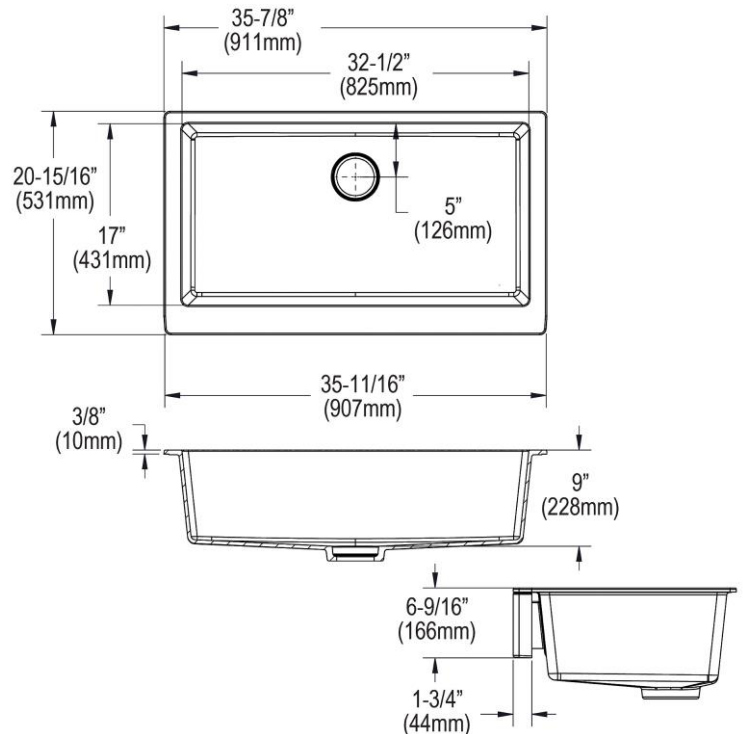
**Included with Product: One LKPDQ1CR Perfect Drain and Strainer.**

AMERICAN PRIDE. A LIFETIME TRADITION. Like your family, the Elkay family has values and traditions that endure. For almost a century, Elkay has been a family-owned and operated company, providing thousands of jobs that support our families and communities.

 Sinks are listed by IAPMO<sup>®</sup> as meeting the applicable requirements of the Uniform Plumbing Code<sup>®</sup>, International Plumbing Code<sup>®</sup>, and National Plumbing Code of Canada.

**Product Compliance:** CSA B45.5/IAPMO Z124  
Accessory: ASME A112.18.2/CSA B125.2

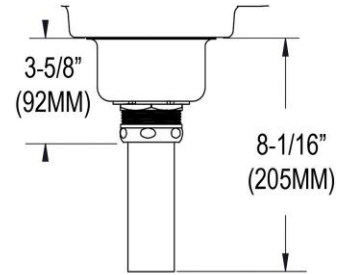
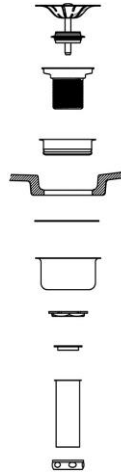
[Clean and Care Manual \(PDF\)](#)  
[Installation Instructions \(PDF\)](#)  
[Warranty \(PDF\)](#)



In keeping with our policy of continuing product improvement, Elkay reserves the right to change product specifications without notice. Please visit [elkay.com](http://elkay.com) for the most current version of Elkay product specification sheets. This specification describes an Elkay product with design, quality, and functional benefits to the user. When making a comparison of other producers' offerings, be certain these features are not overlooked.

**OPTIONAL ACCESSORIES**

Bottom Grid:	LKOBG3014SS
Drain:	LKPDQ1LS



Sink with Drain  
Kit Installed

*In keeping with our policy of continuing product improvement, Elkay reserves the right to change product specifications without notice. Please visit [elkay.com](http://elkay.com) for the most current version of Elkay product specification sheets. This specification describes an Elkay product with design, quality, and functional benefits to the user. When making a comparison of other producers' offerings, be certain these features are not overlooked.*