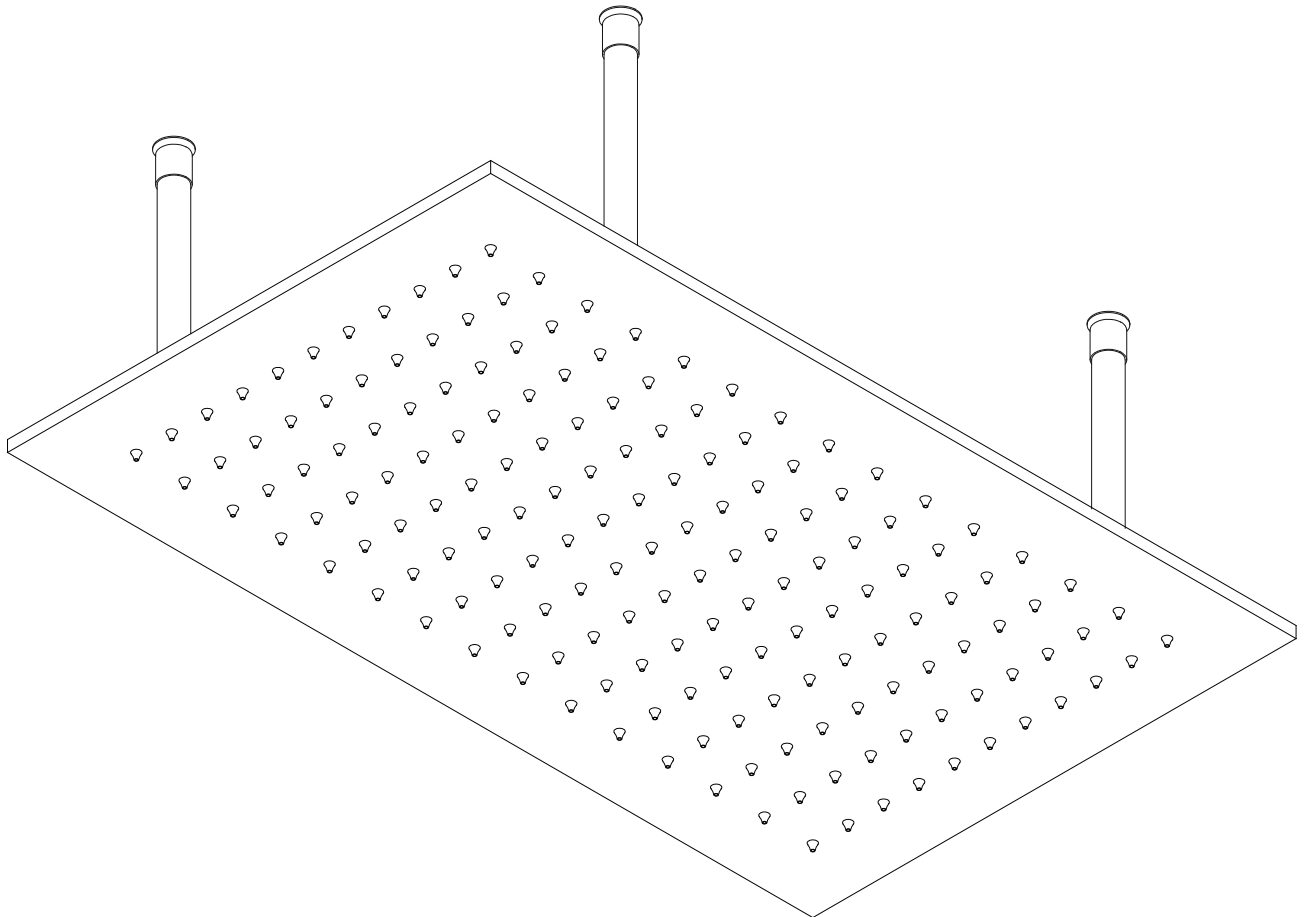


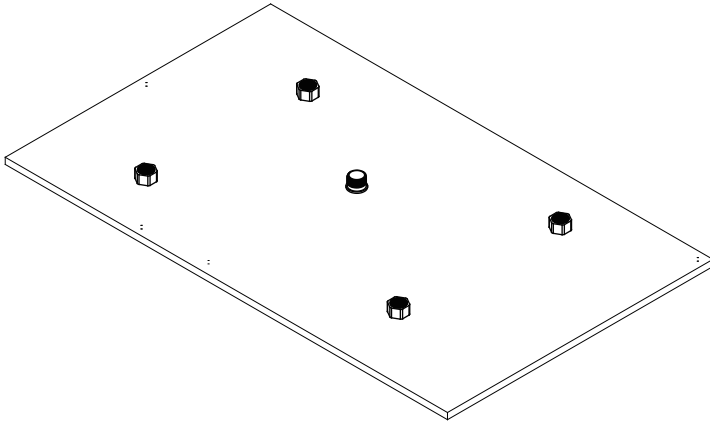


# SHOWER HEAD INSTALLATION INSTRUCTION

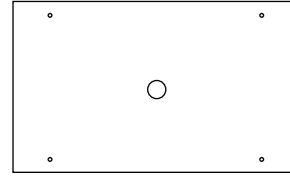


# Parts List

Ax1

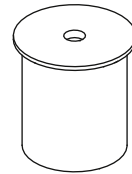


Bx1

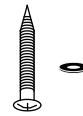


Template not included, create your own if needed.

Cx4



D 1 x4



D 2 x4



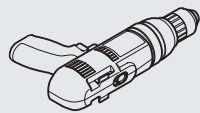
Ex4



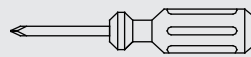
Fx1



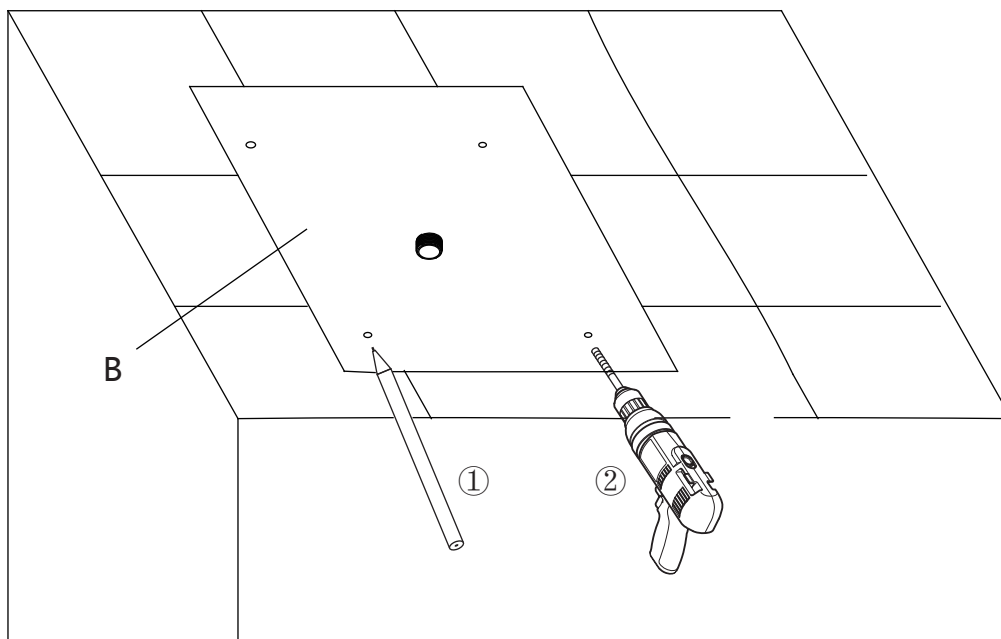
## You Will Need The Following Tools



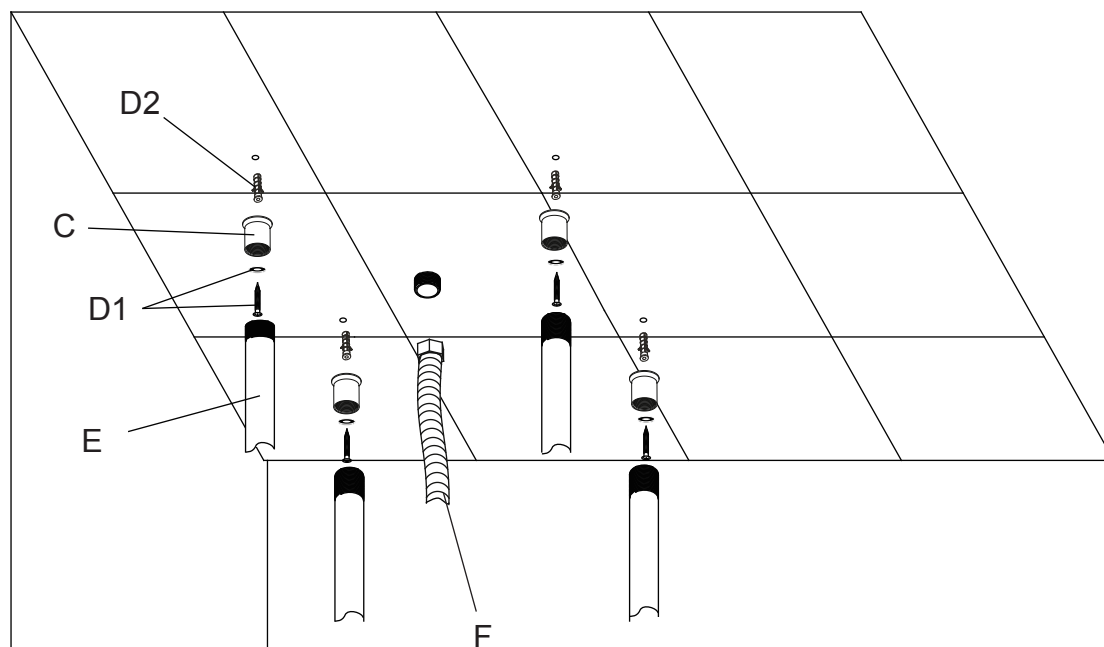
Ø6mm



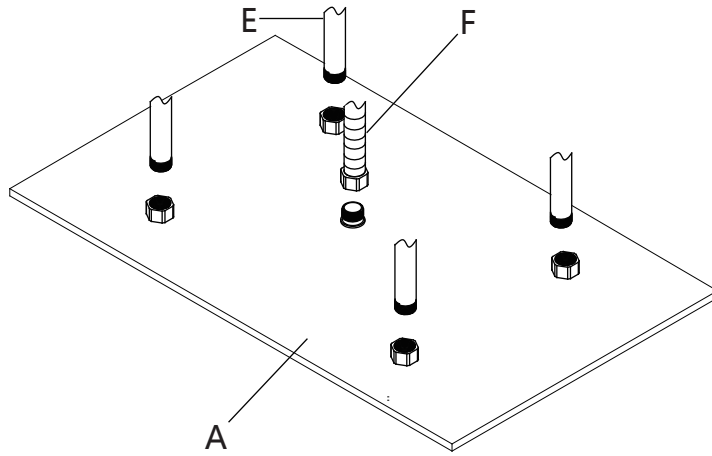
According to drilling drawing sheet to (B) mark the 4 drilling positions ①, then use the  $\varnothing 6\text{mm}$  drill to drill holes on the wall according to the marked hole position.



Inset the plug (D2) into the hole, hold the fix base (C) use the tapping screw (D1) through fix base (C) holes, tighten the tapping screw (D1) tighten the top shower fixed bar (E) and the inlet hose (F) with the fix base (C)



Fixed the top shower with the top shower fixed bar (E) , then connect with the inlet hose (F) .



The installation is completed.

