



3/4" Thermostatic Mixing Valve Installation Instructions

Instrucciones de Instalación de la válvula mezcladora termostática de 3/4"

Instructions d'installation du mitigeur 3/4 po thermostatique



Model / Modelo / Modèle

D155000BT

Installation Instructions

**Instrucciones para
la instalacion**

Guide d'installation

Toll free service / Línea telefónica gratis / Numéro sans frais

US: 1-888-328-2383

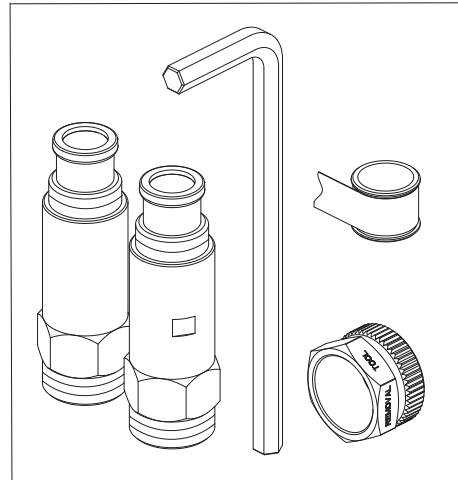
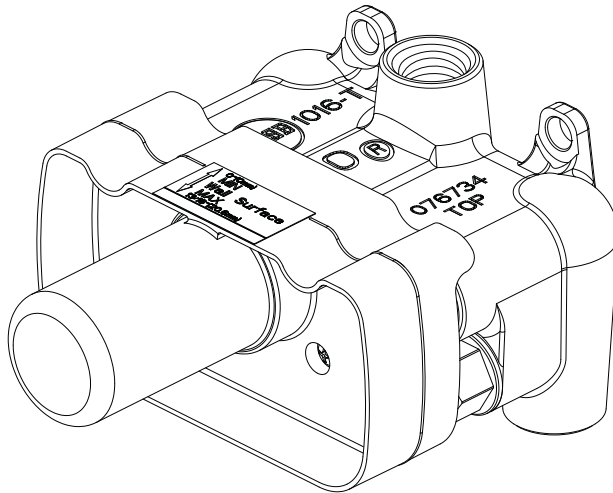
Canada: 1-800-487-8372

TABLE OF CONTENTS

	PG
English section	1
Spanish section	13
French section	25

Before Your Installation

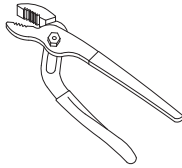
Check to make sure you have the following parts indicated below.



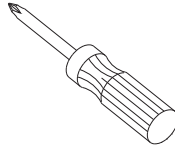
Tools Required



Adjustable wrench



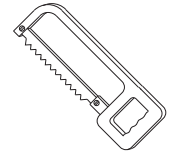
Groove joint plier



Phillips screwdriver



Pipe tape



Hacksaw

Operation Manual

DANZE ALWAYS RECOMMENDS THAT PLUMBING PRODUCTS BE INSTALLED BY A LICENSED PROFESSIONAL.

1. BEFORE YOU BEGIN IMPORTANT INSTRUCTIONS READ AND SAVE FOR THE CONSUMER

! WARNING : Risk of scalding or other severe injury. Before completing installation, the installer must set the maximum water temperature setting of this valve to minimize the risks associated with scalding hazards.

The installer is responsible for installing the valve and adjusting the maximum water temperature of this thermostatic valve according to instructions. If you do not understand any of the installation or temperature adjustment instructions in this document, in the United States please contact our Customer Service Line at 1-888-328-2383. Outside the U.S. please contact your distributor.

The valve is calibrated at the factory to deliver water at approximately 100° F (38° C). This temperature roughly corresponds to the 100° F graduation line found on the temperature dial of the valve trim and the reference mark found on the cartridge spline of this valve. Note the listed water temperature settings are based upon our factory conditions as follows.

• Hot and cold water pressure = 45 psi (3 bar)

• Hot water temperature = 149° F or 65° C

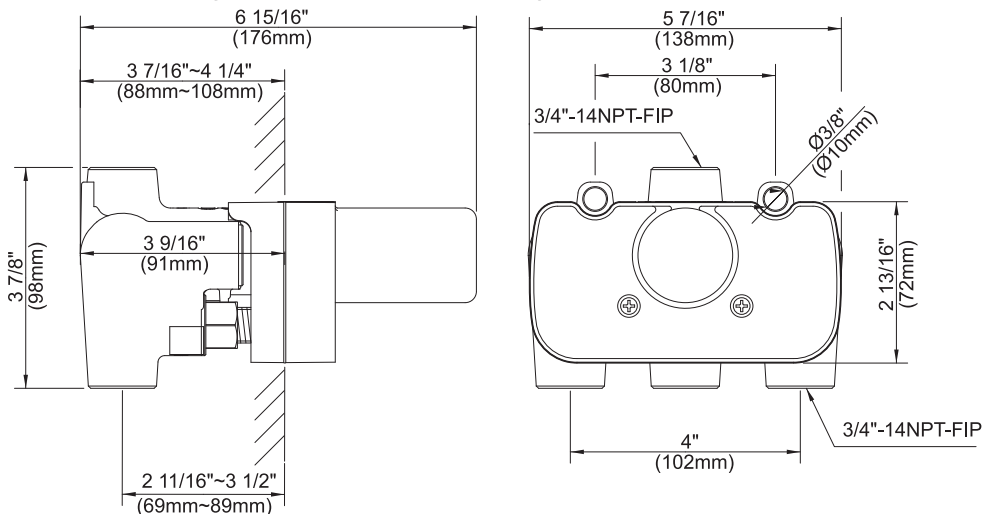
• Cold water temperature = 59° F or 15° C

If another range of temperatures is desired or the actual water supply conditions differ significantly, you will need to recalibrate the valve settings according to our trim installation procedure. If a maximum hot water temperature is required, you also may need to re-calibrate the valve. Again, please see our trim installation procedures for recalibration procedures.

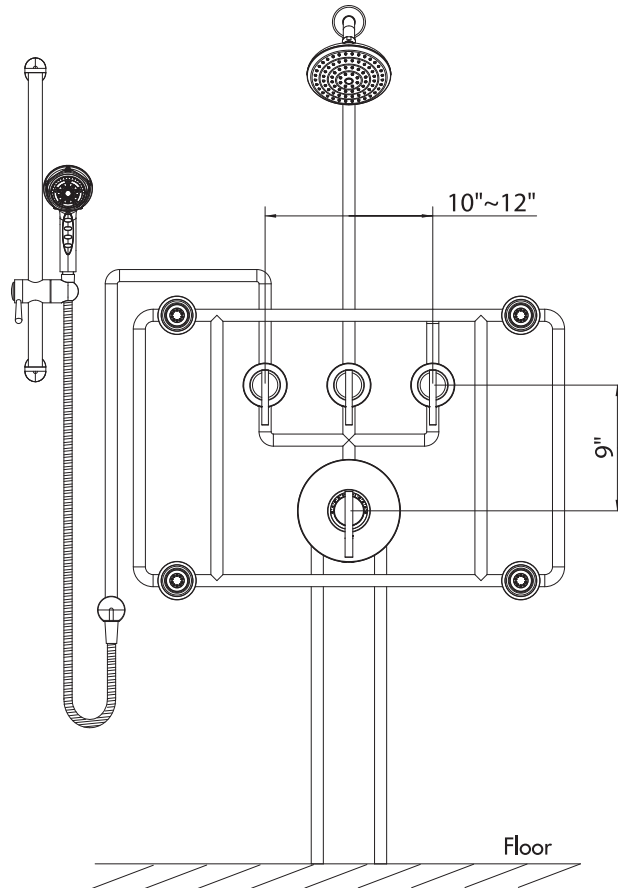
CAUTION : RISK OF SCALDING HAZARD

The valve has been calibrated at the factory to deliver water at approximately 100° F (38° C). This temperature corresponds to the line marked on the valve cartridge stem. For calibration, Danze assumes cold water supply to be 59° F (15° C) +/- 5° F, and hot water temperature supply to be 149° F(65° C) +/- 5° F. Both hot and cold water pressure are at 45 psi. Any significant variation in the calibration, or any variation in the water supply temperatures (greater than 5° F or 3° C) from those used at the factory during the calibration procedure, can result in water temperatures that could present scalding dangers. It is important to check the water temperature with the temperature stem rotated to the full counterclockwise (open) position to determine the maximum temperature of the water that will be delivered. The responsibility for the proper installation and any recalibration of this valve lies with the installer.

NOTE : Permissible tolerances are given in the dimensional drawing.



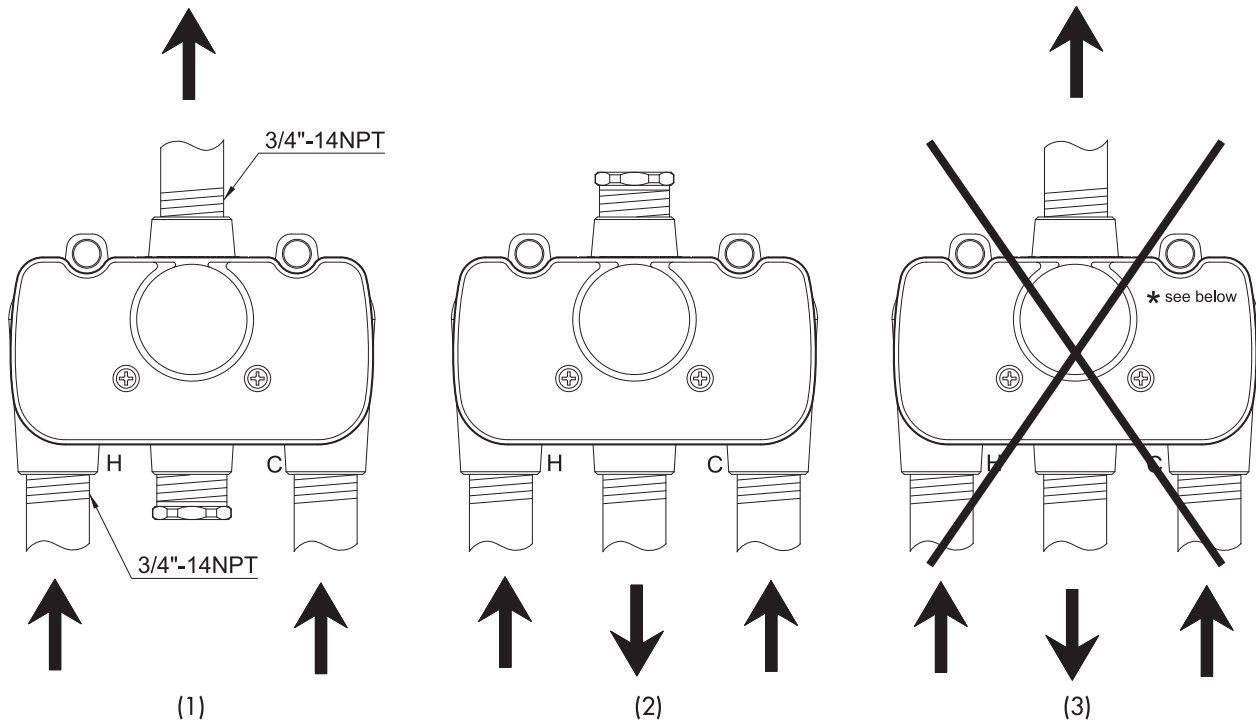
The shower system shown below is just one of many ways to configure a Danze 3/4" Thermostatic shower system. Please consult with your plumbing professional for additional options.



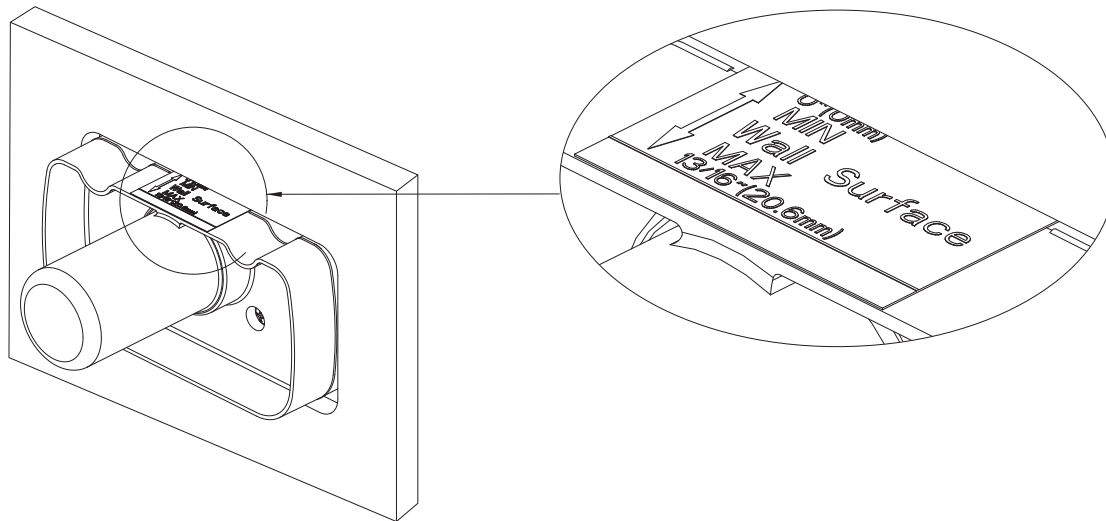
2. Danze Thermostatic mixing valve includes integral mounting tabs to facilitate installation. You may mount the valve directly onto the wall framing if you choose. Connect the hot water supply to inlet marked "H", and the cold water supply to the inlet marked "C". Do not solder the connections between the pipes and valve body. The inlet and outlet ports are threaded to accept a 3/4" NPT fitting. Sweat the pipes to the appropriate fitting adapter. Seal the unused outlet with a screw plug (supplied).

IMPORTANT !

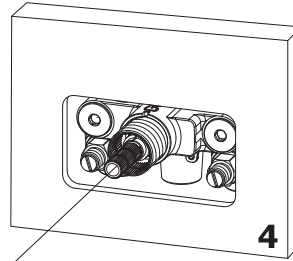
The hot water supply must be connected to the inlet marked "H" and the cold water supply to the inlet marked "C".



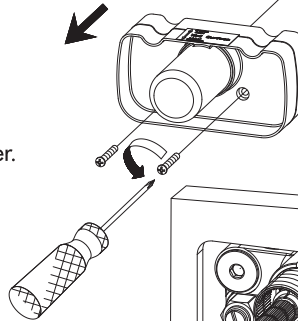
- * For shower applications, Danze does not recommend plumbing outlet pipes to both the upper and lower outlets on the 3/4" Thermostatic Mixing Valve. Using both outlets could result in differential outlet temperatures. For a tub & shower application, the bottom outlet can be used for a tub spout and the top outlet for a shower outlet, provided both outlets are not used simultaneously. For tub applications, do not use a twin ell or diverter tub spout. You must use a separate volume control to control flow to the tub filler.
- 3.** Make sure the finished wall falls between the limits marked on the plaster guard. Align mixing valve horizontally, vertically and parallel to the wall. Use a level on plaster guard to ensure that valve trim, when installed, will be in same plane with wall.



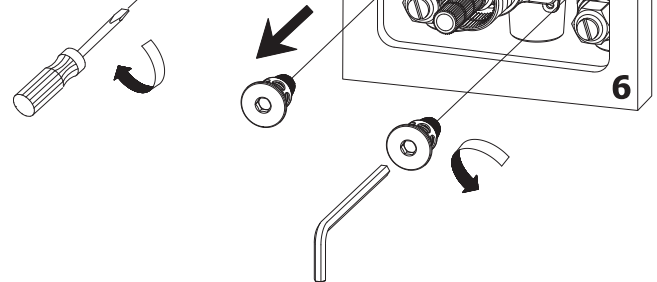
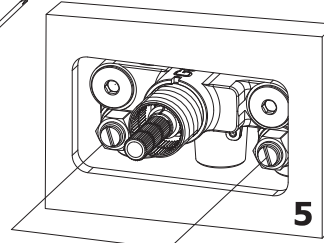
4. Remove screws and mounting template.



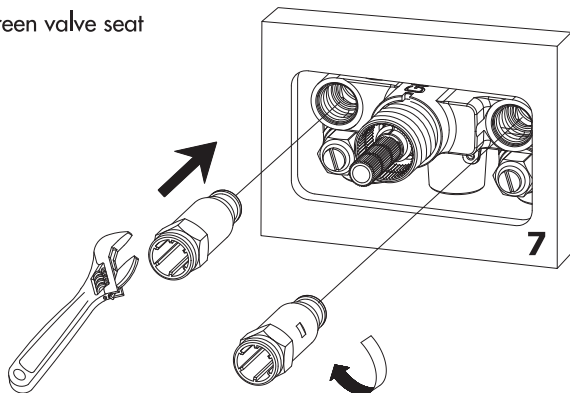
5. Close both hot and cold water stops with screwdriver.



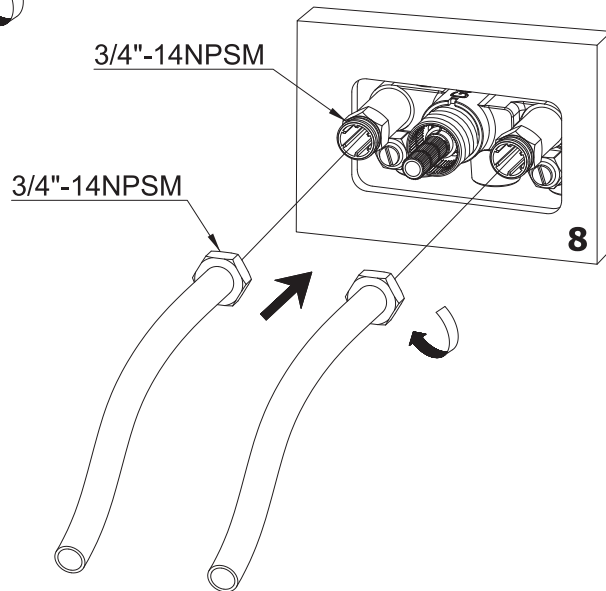
6. Remove the filter screen valves using the hex wrench (included).



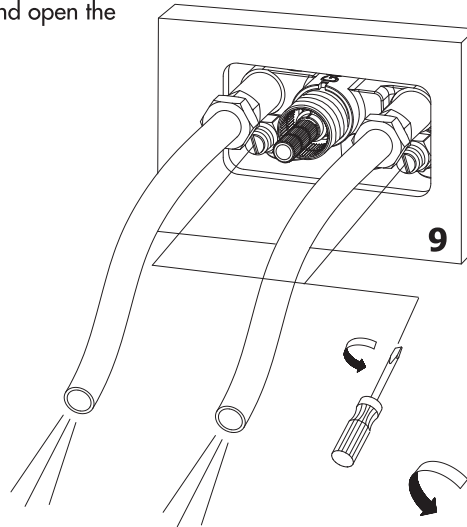
- 7.** Install flushing plugs in filter screen valve seat recesses.



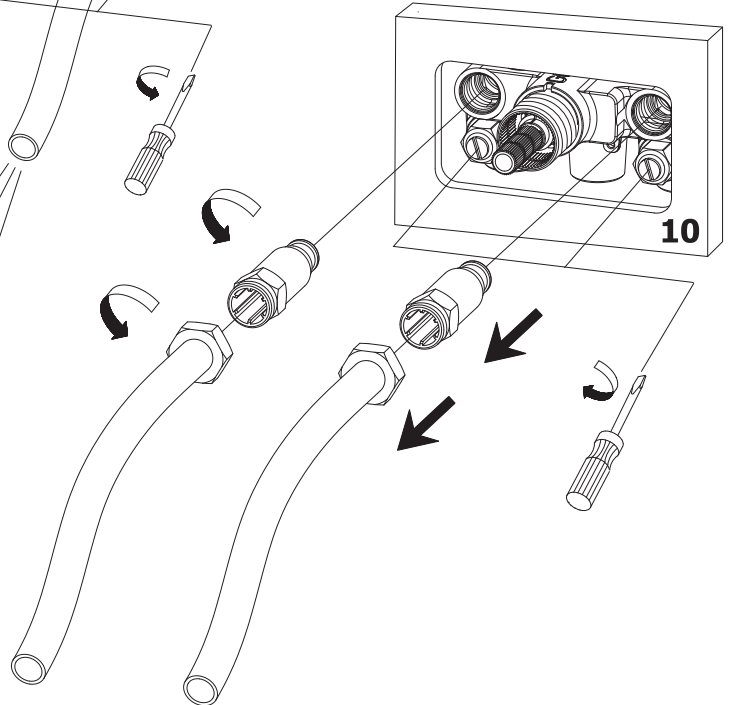
- 8.** Use two hoses to connect the flushing plugs.
Note: hoses not provided.



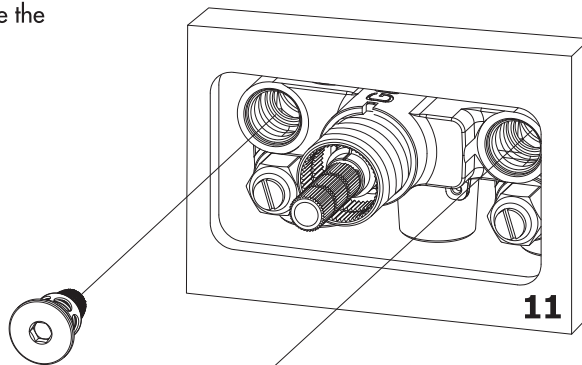
- 9.** Direct the hoses towards the drain and open the stops to flush the piping systems.



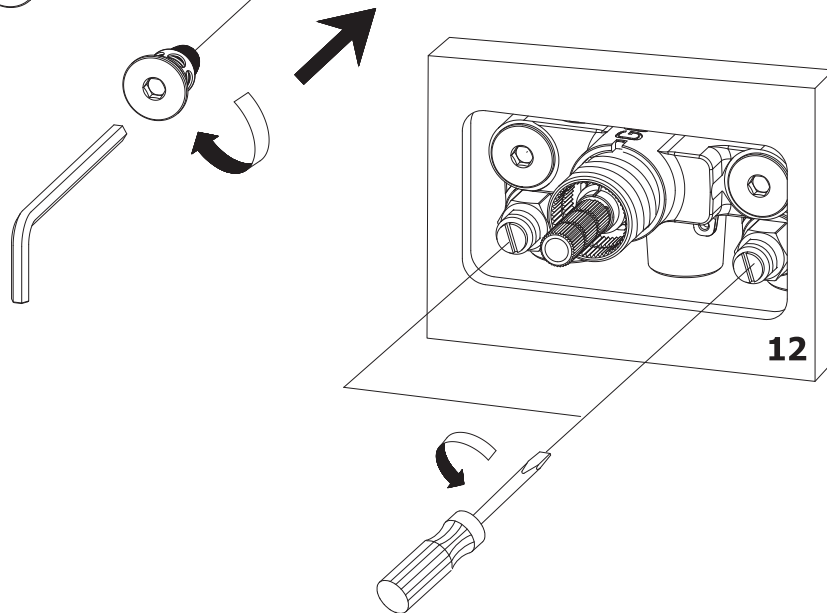
- 10.** Close stops completely. Remove hoses and flushing plugs.



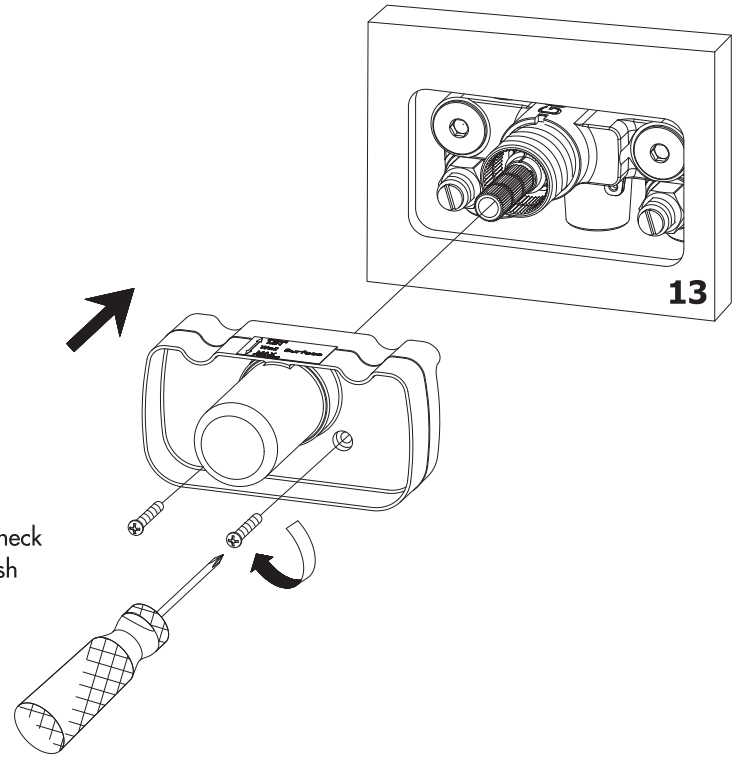
- 11.** Reinstall the filter screen valves. Make sure the screens are free from sediment or debris.



- 12.** Open the stops.



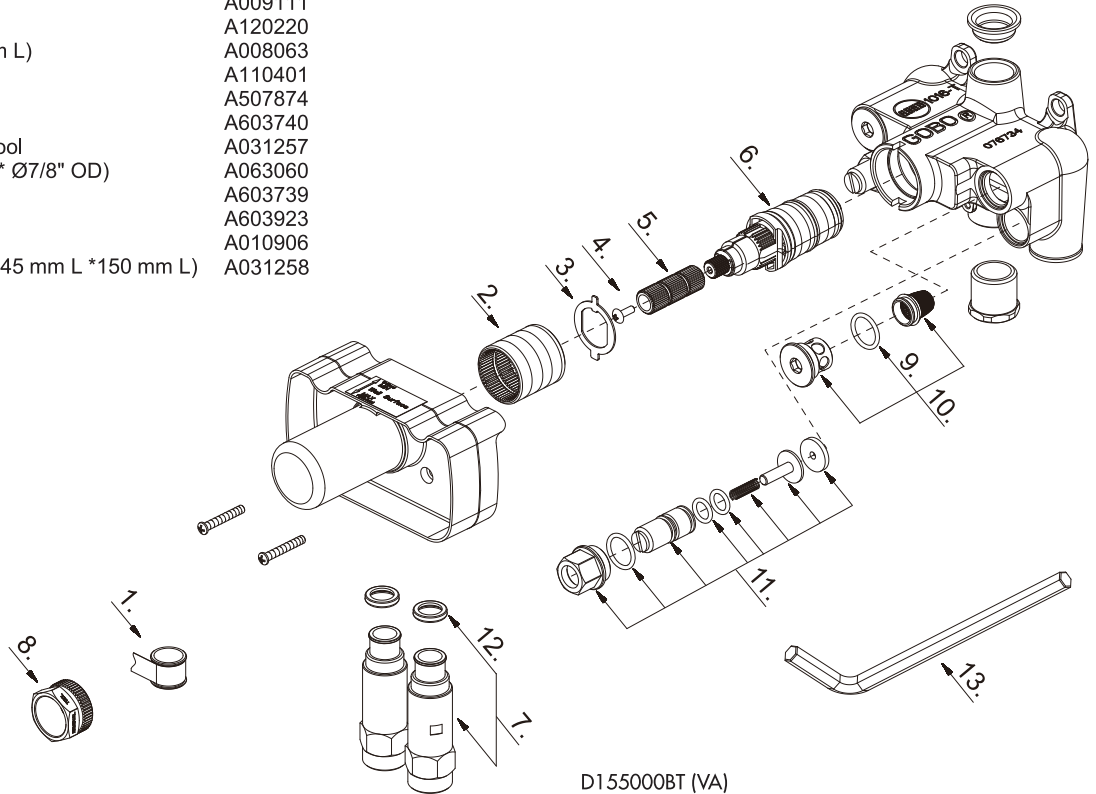
13. Reinstall mounting template.



14. Turn on the water supply lines to the valve, and check for leaks, turn off the water and complete the finish wall.

Illustrated Parts List

- | | |
|--|---------|
| 1. Pipe tape | A203000 |
| 2. Sleeve | A009111 |
| 3. Lock Washer | A120220 |
| 4. Screw (M4 * 12 mm L) | A008063 |
| 5. Stem Extension | A110401 |
| 6. Thermo Cartridge | A507874 |
| 7. Flushing Plug | A603740 |
| 8. Sleeve Removal Tool | A031257 |
| 9. O-ring (Ø11/16" ID * Ø7/8" OD) | A063060 |
| 10. Filter Screen | A603739 |
| 11. Check valve | A603923 |
| 12. Seal | A010906 |
| 13. Hex Wrench (H8 * 45 mm L * 150 mm L) | A031258 |



D1.55000BT (VA)