

SPECIFICATIONS

MELROSE™ SINGLE HANDLE POT FILLER

Model

D205012 (Replaces D205314 series)

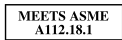
Description

- Two ceramic disc valves
- Swing spout with shut off and control valve
- Spout reach extends 15"
- Designed for cold water hook up
- Single hole wall mount

Standards



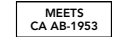
- UPC/cUPC
- NSF 61-9
- Energy policy act of 1992



- ASME A112.18.1



- CSA B125



- Meets CA AB-1953

Less than 0.25% lead content

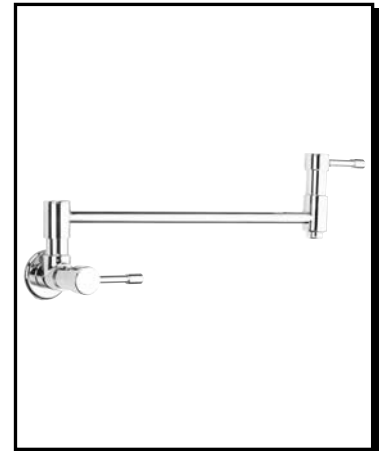
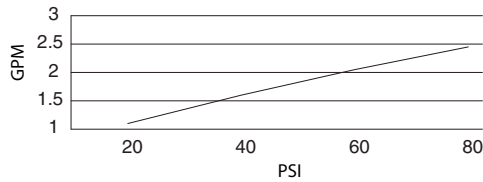


- ADA Accessibility Guidelines for Buildings and Facilities - 4.27.4 Controls and Mechanisms

Warranty

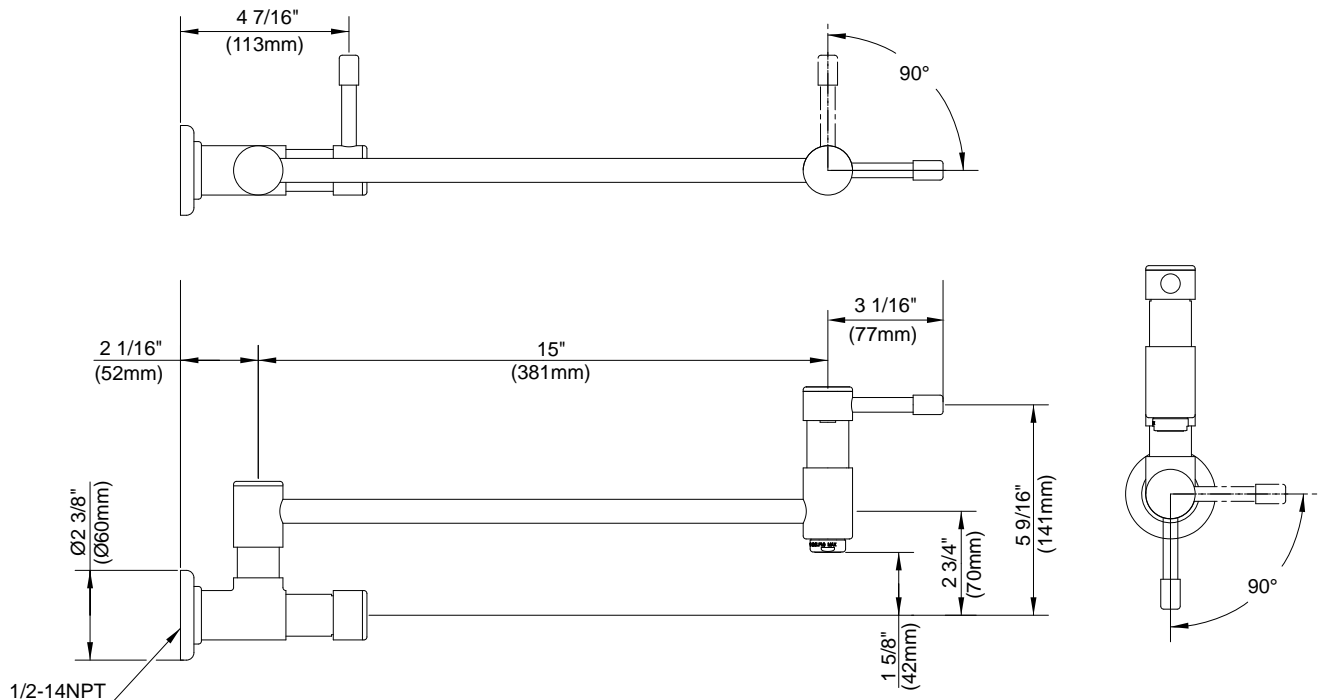
Danze products are covered by a manufacturer's limited "lifetime" warranty for manufacturing defects.

Flow Rate



Finishes Available

- Chrome
- Other: Refer to Price List for additional finish



Submittal Information:

Job Name: _____
 Contractor: _____

Location: _____
 Contact #: _____