

**SPECIFICATIONS**

**PARMA™ TRIM LINE SINGLE HANDLE LAVATORY FAUCET**

**Model**

D236058 (Replaces D232158 series)

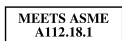
**Description**

- Ceramic disc valve
- 4" high spout, 5" spout length
- Metal touch down drain assembly
- Single hole mount with optional deck plate

**Standards**



- UPC/cUPC
- NSF 61-9
- Energy policy act of 1992



- ASME A112.18.1



- CSA B125



- Meets CA AB-1953

Less than 0.25% lead content

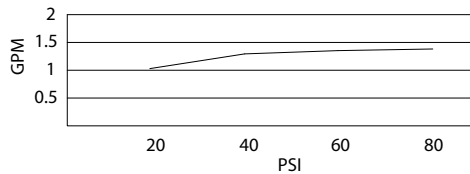


- ADA Accessibility Guidelines for Buildings and Facilities - 4.27.4 Controls and Mechanisms

**Warranty**

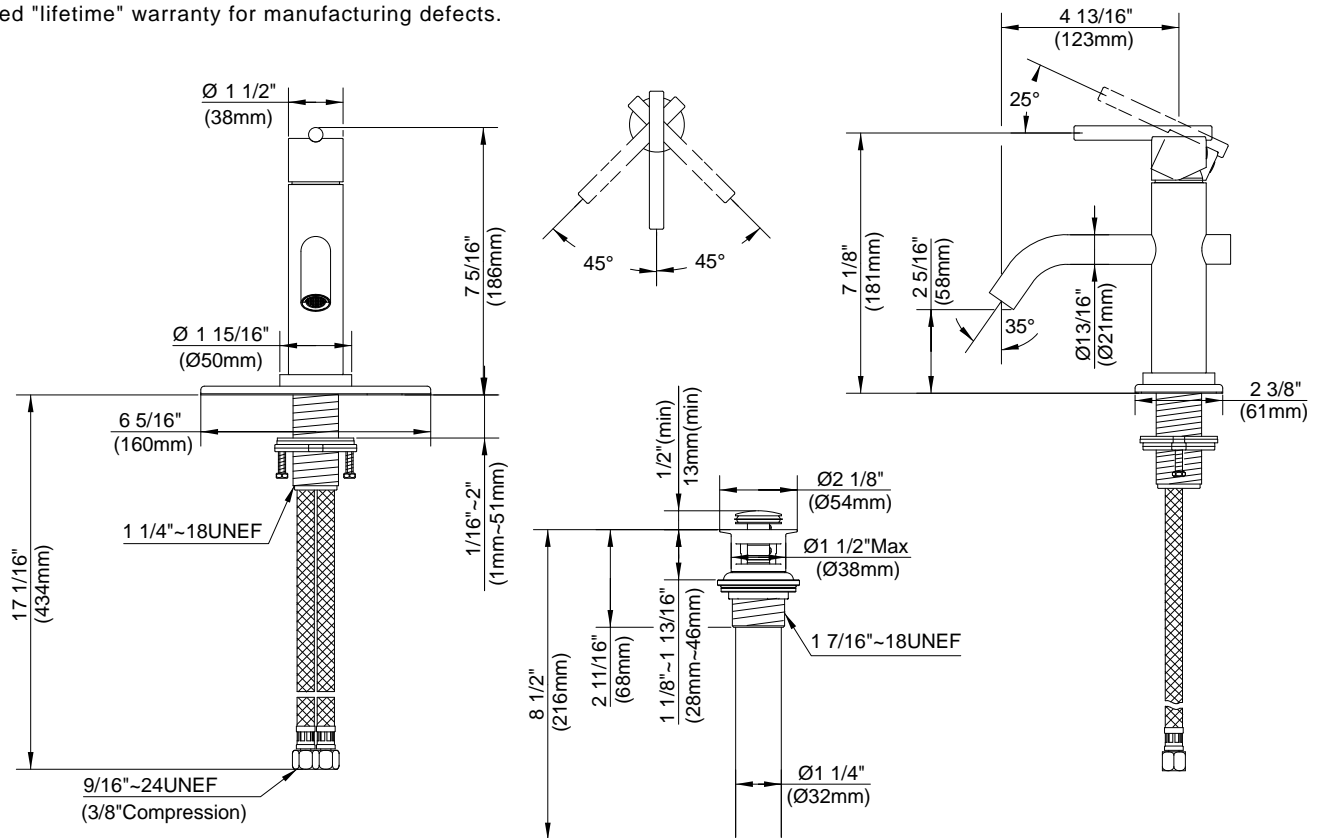
Danze products are covered by a manufacturer's limited "lifetime" warranty for manufacturing defects.

**Flow Rate**



**Finishes Available**

- Chrome
- Other: Refer to Price List for additional finish



**Submittal Information:**

Job Name: \_\_\_\_\_  
 Contractor: \_\_\_\_\_

Location: \_\_\_\_\_  
 Contact #: \_\_\_\_\_