

LowPro41LP Low Profile Sewage System

Models

LowPro41LP 4/10 HP 115V



Contents

- 1.) General Information
- 2.) Precautions/Pre-installation
- 3.) Installation
- 4.) Pump Specifications and Parts List
- 5.) Maintenance and Troubleshooting

IMPORTANT:

Prior to installation, record Model, Serial Number, and Code Number from pump nameplate for future reference.

MODEL _____

SERIAL _____

CODE _____

INSTALLATION
DATE _____



7000 Apple Tree Avenue
Bergen, NY 14416
Phone: (800) 543-2550
Fax: (585) 494-1839
www.libertypumps.com



1. General Information

Before installation, read the following instructions carefully. Each Liberty pump is individually factory tested to insure proper performance. Closely following these instructions will eliminate potential operating problems, assuring years of trouble-free service.

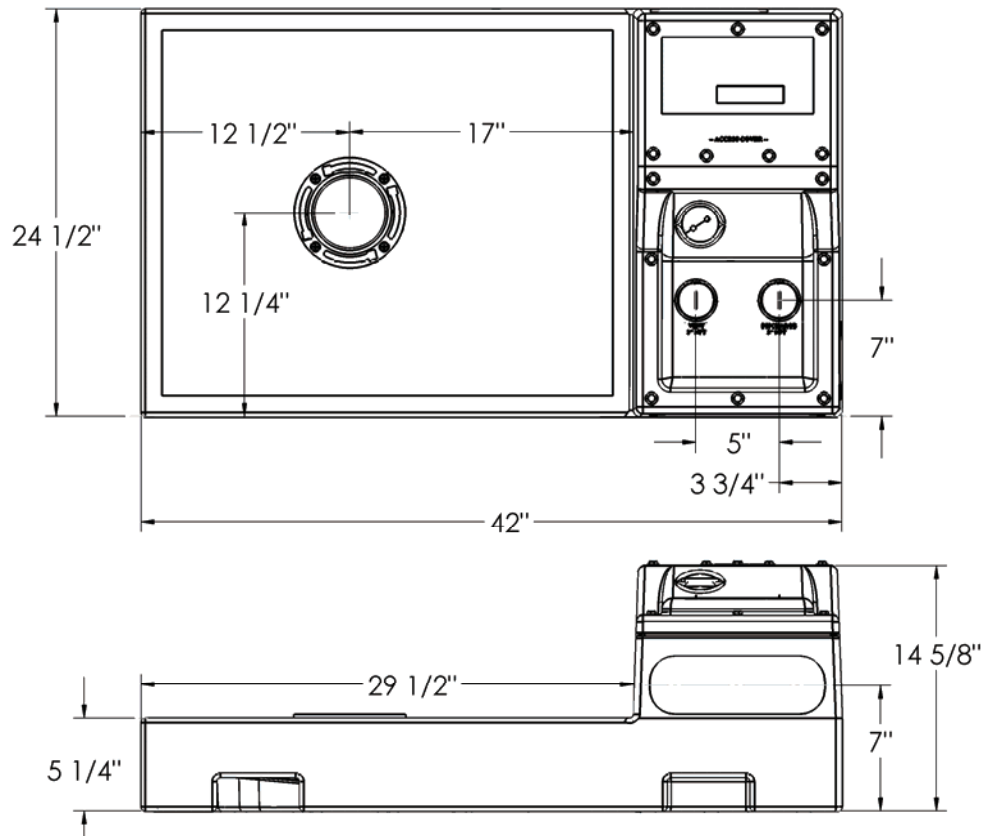
⚠ WARNING

- **Risk of electric shock** – The pump power cord is equipped with a grounding conductor and grounding-type 3-prong plug. To reduce the risk of electric shock, be certain that it is connected only to a 115V properly grounded grounding-type receptacle. All electrical circuitry should be installed in accordance with the National Electric Code (NEC) and all applicable local codes or ordinances. These pumps are not to be installed in locations classified as hazardous in accordance with the National Electric Code, ANSI/NFPA 70.
- Installation must be in accordance with the National Electric Code and all applicable local codes.
- Installation and servicing is to be conducted by qualified personnel.

⚠ CAUTION

- Do not use these pumps in water over 140° F.
- The Uniform Plumbing Code (UPC) states that sewage systems shall have an audio and visual alarm that signals a malfunction of the system, to reduce the potential for property damage.

Dimensional Data



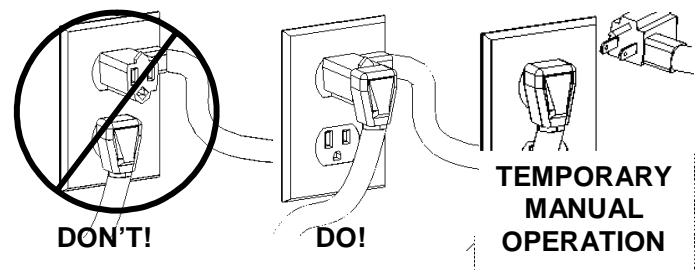
2. Precautions/Pre-Installation

1. Inspect all materials for shipping damage and to ensure that all parts have been received. Contact your dealer with any problems prior to installation.
2. Read all instructions and familiarize yourself with the unit's operation prior to proceeding with the installation. Read pump specifications to assure pump has adequate head performance prior to installation - See "Note" under pump specifications.
3. **⚠ WARNING Risk of electric shock.** Always disconnect the pump from the power source before handling or making adjustments. The pump power cord is equipped with a grounding conductor and grounding-type 3-prong plug. To reduce the risk of electric shock, be certain that the Sumpbox™ unit is connected only to a properly grounded grounding-type receptacle. This receptacle should be protected by a ground fault circuit interrupter (GFCI). All electrical circuitry should be installed in accordance with the National Electric Code (NEC) and all applicable local codes or ordinances. Never remove the ground pin from the plug.

Never remove the ground pin from the plug.

4. **⚠ WARNING** Make certain that the outlet is within reach of the power supply cord. **Never use an extension cord.**
5. The power cords from the *LowPro* system are equipped with piggyback plugs and must be connected in series to operate automatically (see fig. 1).
6. Check to ensure that your power source is adequate to handle the pump amperage. Pump amperage can be found on the nameplate and/or the product literature. Ensure that the electrical supply circuit is equipped with fuses or breakers of the proper capacity.
7. It is recommended that a separate branch circuit be installed for the pump. Such a branch circuit should be sized in accordance with the NEC.
8. Each electrical outlet should be tested to ensure that a proper ground has been established. A UL listed circuit analyzer will indicate if the power, neutral, and ground wire are properly connected.
9. A qualified licensed electrician should install and test all electrical circuits.
10. All plumbing (waste and vent) must be installed to meet local plumbing codes. **This unit must be properly vented. Automatic or mechanical plumbing vent devices must not be used.** This pump is not to be installed in a location classified as hazardous in accordance with the NEC, ANSI/NFPA 70.
11. **⚠ CAUTION** Liquid temperature must not exceed 140°F (60°C).
12. Always disconnect the pump from the power source prior to removing or servicing.

Fig. 1 Piggyback plug installation.



3. Installation

1. The LowPro is shipped factory assembled; inspect tank, pump and accessories for shipping damage. Contact your dealer with any problems prior to installation
2. The tank installation location must be level. Position the tank in its final location and ensure that it is level. Use hydraulic cement or similar material for leveling the floor if necessary.
3. **If installing walls or floor joists, use caution to ensure that nails, screws, or other sharp objects do not puncture the tank when framing.**
4. Determine the closest and most readily accessible locations to tie in the discharge and vent lines to existing lines. Take the necessary measurements and determine what plumbing fittings and pipes are needed.
5. An inlet for a 2" PVC drain line from additional fixtures (i.e. sink or shower) may be installed using the rubber pipe grommet (supplied). Determine the best location for the drain line to enter the tank making sure it is within the marked textured areas of the pump chamber. See fig. 2. **Do not drill below or outside of the textured areas.** Make sure drain lines have adequate gravity flow to the system. If a shower is being used, elevate the shower to allow for proper trapping and drainage. Drill a 3" diameter

hole and insert the grommet. Slide the 2" PVC drain line into the pipe grommet, lubricating the pipe if necessary to ease installation.

Note: If installing a washing machine, the preferred method would be to drain washer into a tub sink with a lint sock prior to the LowPro. Also, periodically remove access cover and clean lint and debris off of switch

6. **NOTE:** Threaded connections at tank - **HAND TIGHTEN ONLY**. Use Teflon tape as a thread sealant. Install a 2" PVC pipe to the connection labeled "Discharge". Attach the 2" check valve (Fig. 8, item 14) to the discharge pipe as close to the top of the tank as possible. Make sure that the arrows on the check valve are pointing up, away from the pump. **Do not reduce the discharge pipe size below 2"**.
7. Complete the discharge piping to the house waste line using a minimum number of turns. See "Note" under Pump Specifications for maximum head performance of the LowPro system.
8. **Install a 2" vent pipe into the vent opening on the cover. Connect the vent pipe to the house vent line or directly to the atmosphere.** Unit must be vented directly to the atmosphere in accordance with national and local plumbing codes. **DO NOT** use an automatic or mechanical vent device.
9. If you are not installing a finished floor above the LowPro tank system, skip steps 10 through 12, and resume installation at step 13.
10. The rough opening size required for installation using standard 2"X6" floor joists will vary depending on your actual installation and the orientation of the tank. The overall rough opening size needed to enclose the entire LowPro tank is 42" X 24½".
11. Measure the finished flooring thickness and determine the number of closet flange spacers (Figure 8, item 17) needed to bring the closet flange up to the finish floor. See Figure 6.
12. Set the proper number of plastic closet flange spacers (as determined in step 11) onto the brass closet flange. The foam gasket material on the spacer(s) must be facing down. The spacer(s) will not be secured to the closet flange, so use care not to move them during the installation of the toilet.
13. Install the wax toilet bowl seal ring provided onto the toilet following the directions included with the toilet. Install the toilet onto the closet flange following the directions included with the toilet. Hook up the water line to the toilet. Turn the water on and fill the toilet tank. Test for leaks. Flush the toilet several times and allow the pump to cycle to ensure proper operation.

NOTE: The LowPro features an internal jet spray to help break down solids and reduce jamming. Due to limited water volumes per pump cycle on systems of this type, care must be taken to avoid flushing extreme amounts of toilet paper or any reinforced papers, paper towels, sanitary products and other foreign objects into the LowPro.

Fig. 2 Tank contains three textured areas acceptable for installing rubber pipe grommet. **Installation outside of these areas may result in damage to internal components.**

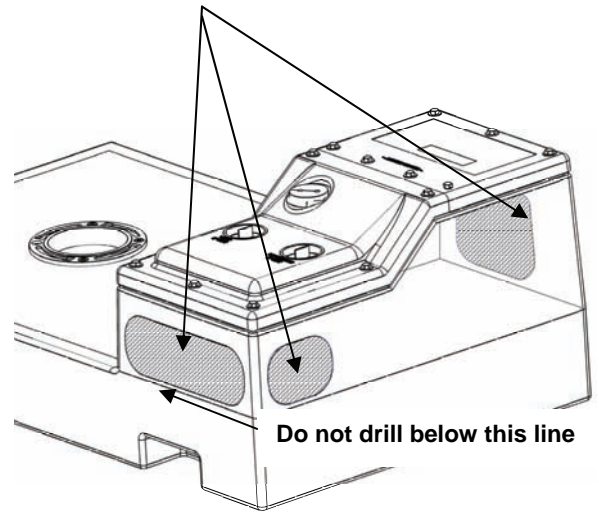


Fig.3 Typical finished installation

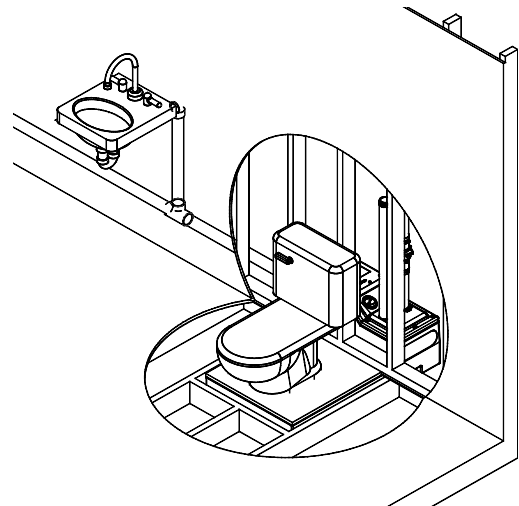
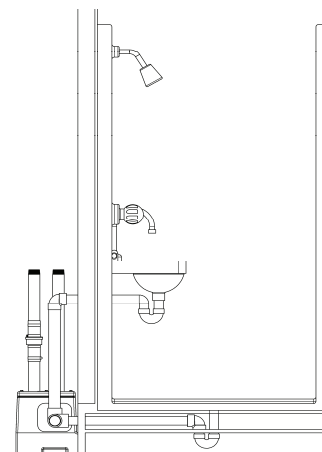
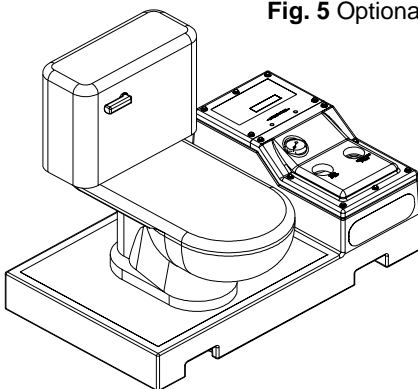
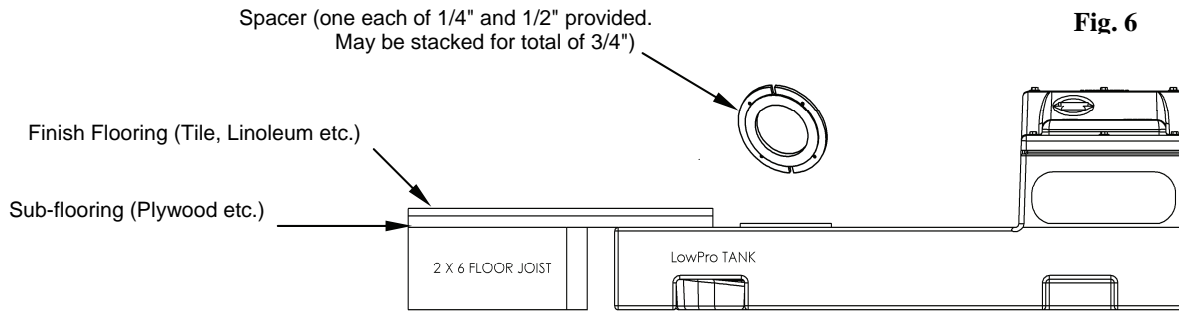


Fig. 4 Side view with elevated shower

Fig. 5 Optional orientation of toilet





4. Pump Specifications and Parts List

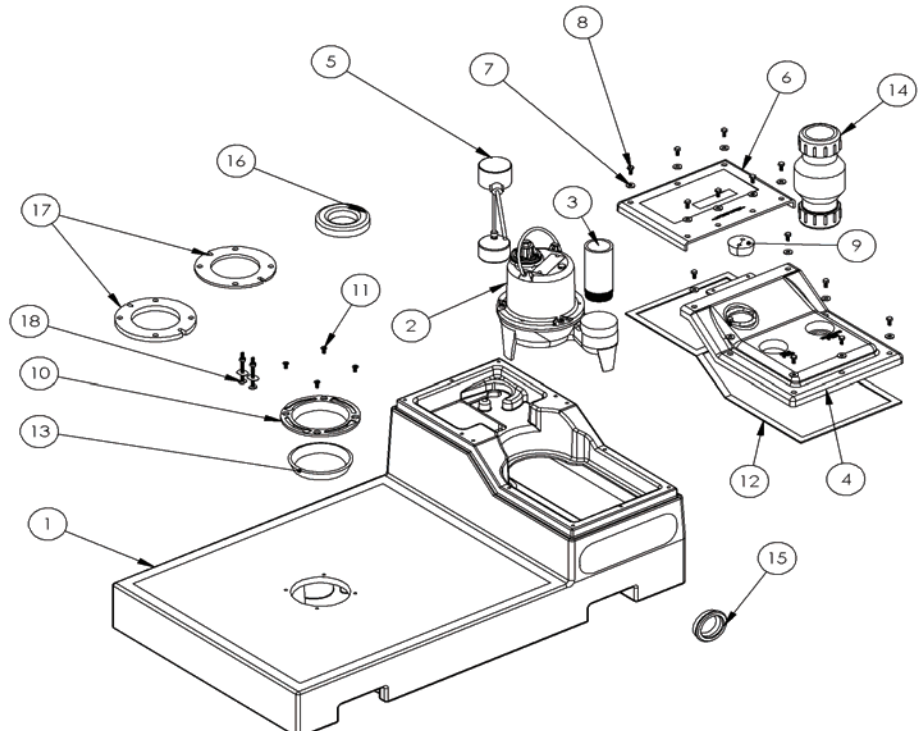
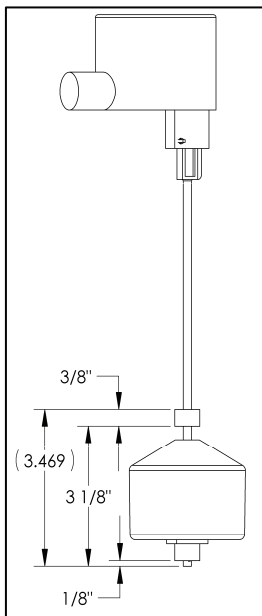
Pump Specifications LOWPRO41LP

Item	Part No.	Description	Qty.
1	4622000	Tank, low profile	1
2	LE41LP	Pump, 4/10Hp sewage, 115V	1
3	4623000	Nipple, 2" PVC Sched. 80	1
4	462100B	Cover, pump access	1
5	4616000	Switch, vertical master	1
6	462000B	Cover, switch access	1
7	8131000	Washer, flat 1/4" X 3/4" S.S.	14
8	8129000	Bolt, 1/4"-20 X 5/8", Hex head S.S.	14
9	4022000	Stopper, double cord hole	1
10	4624000	Closet Flange, brass	1
11	8018000	Screw, 1/4"-20 X 5/8" slotted Ft. Hd.	4
12	4039000	Gasket, cover 1" X 1/8" tape	1
13	4039RA0	Gasket Tape, for closet flange	1
14	CV200C	Check Valve, 2" PVC compression fit	1
15	4762000	Grommet, Pipe seal, 2"	1
16	4627000	Wax Ring	1
17	4626000	Closet flange extension kit	1
18	4625000	Closet bolt kit	1

Hp	4/10
Volts	115
Phase	1
Full Load Amps	12
Hz	60
Solids-handling	2"
Discharge size	2"

NOTE: The LowPro has a shut-off head (maximum lift) of 19 feet. Actual maximum useable head to provide adequate flow is approximately 17.5 feet and may be less depending on amount of run and friction loss factors. Please consult factory for proper pump sizing.

Refer to the diagram to adjust the float switch (5). The pump should engage at a waste depth of approximately 4.0" and pump down to around 3.0". To adjust the float switch, remove the switch access cover (6) and lift the float switch (5) out of the tank. After adjusting to the lengths pictured above, replace the switch by placing the cord between the two bosses. Reattach the access cover to the tank.



5. Maintenance and Troubleshooting

WARNING

Risk of electric shock. Always disconnect the pump from the power source before handling or making adjustments.

Problem	Cause	Correction
Pump will not run.	<ul style="list-style-type: none"> Blown fuse or other interruption of power; improper voltage. 	<ul style="list-style-type: none"> Check that the unit is securely plugged in. Have an electrician check all wiring for proper connections and adequate voltage and capacity.
	<ul style="list-style-type: none"> Switch is unable to move to the "turn on" position due to interference with the side of basin or other obstruction 	<ul style="list-style-type: none"> Position the pump or switch so that it has adequate clearance for free operation.
	<ul style="list-style-type: none"> Insufficient liquid level. Defective switch. 	<ul style="list-style-type: none"> Make sure the liquid level is allowed to rise enough to activate switch(s). Remove and replace switch.
Pump will not turn off.	<ul style="list-style-type: none"> Switch(s) unable to move to the "turn off" position due to interference with the side of basin or other obstacle. 	<ul style="list-style-type: none"> Position the pump or switch so that it has adequate clearance for free operation.
	<ul style="list-style-type: none"> Defective switch. 	<ul style="list-style-type: none"> Remove and replace switch.
Pump runs or hums, but does not pump.	<ul style="list-style-type: none"> Discharge is blocked or restricted. 	<ul style="list-style-type: none"> Check the discharge line for foreign material, including ice if the discharge line passes through or into cold areas.
	<ul style="list-style-type: none"> Check valve is stuck closed or installed backwards. 	<ul style="list-style-type: none"> Remove check valve(s) and examine for freedom of operation and proper installation.
	<ul style="list-style-type: none"> Gate or ball valve is closed. 	<ul style="list-style-type: none"> Open gate or ball valve.
	<ul style="list-style-type: none"> Total lift is beyond pump's capability. 	<ul style="list-style-type: none"> Try to route piping to a lower level. If not possible, a larger pump may be required. Consult the factory.
	<ul style="list-style-type: none"> Pump impeller is jammed or volute casing is plugged. 	<ul style="list-style-type: none"> *Remove the pump from the basin. Detach the pump base and clean the area around the impeller. Reassemble and reinstall.
Pump runs periodically when fixtures are not in use.	<ul style="list-style-type: none"> Check valve was not installed, is stuck open or is leaking. 	<ul style="list-style-type: none"> Remove check valve(s) and examine for freedom of operation and proper installation.
	<ul style="list-style-type: none"> Fixtures are leaking. 	<ul style="list-style-type: none"> Repair fixtures as required to eliminate leakage.
Pump operates noisily.	<ul style="list-style-type: none"> Foreign objects in the impeller cavity. 	<ul style="list-style-type: none"> *Remove the pump from the basin. Detach the pump base and clean the area around the impeller. Reassemble and reinstall.
	<ul style="list-style-type: none"> Broken impeller. 	<ul style="list-style-type: none"> Consult the factory for information regarding replacement of impeller.
	<ul style="list-style-type: none"> Worn bearings. 	<ul style="list-style-type: none"> Return pump to the factory or authorized repair station for repair.
	<ul style="list-style-type: none"> Piping attachments to building are too rigid. 	<ul style="list-style-type: none"> Replace a portion of the discharge line with rubber hose or connector.

***NOTE:** Liberty Pumps, Inc. assumes no responsibility for damage or injury due to disassembly in the field. Disassembly, other than at Liberty Pumps or its authorized service centers, automatically voids warranty.

2 Year Limited Warranty

***NOTE:** Liberty Pumps, Inc. assumes no responsibility for damage or injury due to disassembly in the field. Disassembly, other than at Liberty Pumps or its authorized service centers, automatically voids warranty.

Liberty Pumps, Inc. warrants that pumps of its manufacture are free from all factory defects in material and workmanship for a period of 2 years from the date of purchase. The date of purchase shall be determined by a dated sales receipt noting the model and serial number of the pump. The dated sales receipt must accompany the returned pump if the date of return is more than 2 years from the "CODE" (date of manufacture) number noted on the pump nameplate.

The manufacturer's obligation under this Warranty shall be limited to the repair or replacement of any parts found by the manufacturer to be defective, provided the part or assembly is returned freight prepaid to the manufacturer or its authorized service center, and provided that none of the following warranty-voiding characteristics are evident.

The manufacturer shall not be liable under this Warranty if the product has not been properly installed; if it has been disassembled, modified, abused or tampered with; if the electrical cord has been cut, damaged or spliced; if the pump discharge has been reduced in size; if the pump has been used in water temperatures above the advertised rating, or water containing sand, lime, cement, gravel or other abrasives; if the product has been used to pump chemicals or hydrocarbons; if a non-submersible motor has been subjected to excessive moisture; or if the label bearing the serial, model and code number has been removed. Liberty Pumps, Inc. shall not be liable for any loss, damage or expenses resulting from installation or use of its products, or for consequential damages, including costs of removal, reinstallation or transportation.

There is no other express warranty. All implied warranties, including those of merchantability and fitness for a particular purpose, are limited to two years from the date of purchase.

This Warranty contains the exclusive remedy of the purchaser, and, where permitted, liability for consequential or incidental damages under any and all warranties are excluded.



7000 Apple Tree Avenue
Bergen, NY 14416
Phone: (800) 543-2550
Fax: (585) 494-1839
www.libertypumps.com

Sistema de Saneamiento de Perfil Rebajado LowPro41LP

Modelos

LowPro41LP 4/10 HP 115V



Contenido

- 1.) Información general
- 2.) Precauciones/Preinstalación
- 3.) Instalación
- 4.) Especificaciones y lista de piezas de la bomba
- 5.) Mantenimiento y diagnóstico de problemas

IMPORTANTE:

Apunte el modelo, el número de serie y el código que aparecen en la placa de la bomba antes de instalarla para que le sirvan de referencia en el futuro.

MODELO _____

SERIE _____

CÓDIGO _____

FECHA DE
INSTALACIÓN _____

Liberty Pumps®

7000 Apple Tree Avenue
Bergen, NY 14416, EUA
Teléfono: (800) 543-2550
Fax: (585) 494-1839
www.libertypumps.com



1. Información general

Lea con atención estas instrucciones antes de instalar la bomba. Todas las bombas de Liberty se someten a prueba en fábrica como garantía de su funcionamiento. Siga estas instrucciones al pie de la letra para prevenir problemas de funcionamiento y conseguir muchos años de servicio satisfactorio.

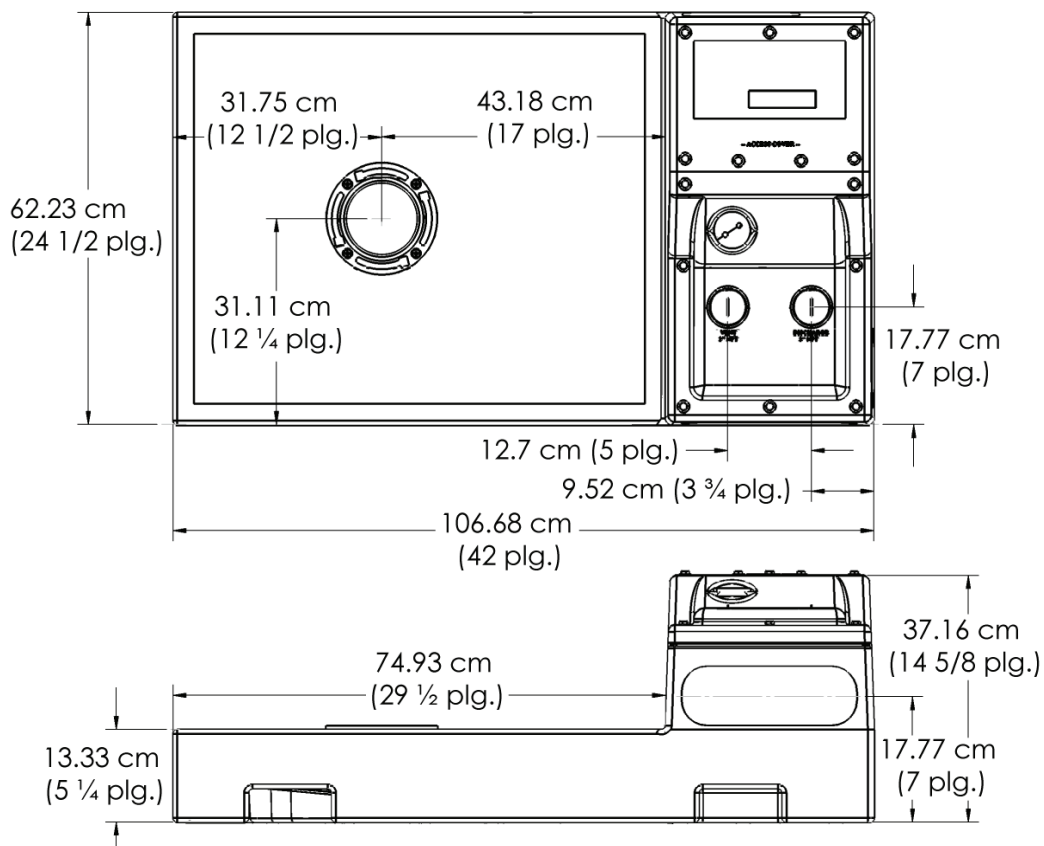
⚠ ADVERTENCIA

- **Riesgo de electrocución** – el cable de potencia de la bomba lleva un conector a tierra y un enchufe de 3 espigas con conexión a tierra. Enchufe la bomba a un tomacorrientes a tierra debidamente conectado a masa para evitar electrocuciones. Todos los circuitos eléctricos deberán cumplir con el código eléctrico nacional (NEC) de Estados Unidos y los códigos locales que correspondan. La bomba no se deberá instalar en un lugar clasificado como peligroso por el NEC, ANSI/NFPA 70.
- Se deberá instalar la unidad según las disposiciones del NEC y todos los códigos y regulaciones locales que correspondan.
- La instalación y el mantenimiento deberán estar a cargo de personal calificado.

⚠ PRECAUCIÓN

- La bomba no se debe utilizar con agua por encima de los 60° C (140 ° F).
- El código uniformado de fontanería (UPC) de Estados Unidos exige que todos los sistemas de saneamiento dispongan de una alarma visual y sonora que indique averías del sistema con el fin de evitar daños a la propiedad.

Dimensiones



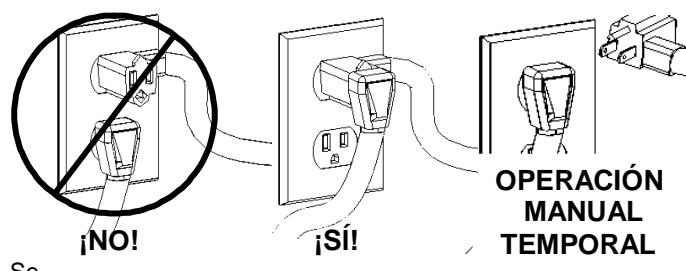
2. Precauciones/Preinstalación

1. Inspeccione toda la unidad para asegurarse de que no haya sufrido daños durante el transporte y que estén presentes todas las piezas. Comuníquese con el distribuidor si se presenta algún problema antes de la instalación.
2. Lea las instrucciones en su integridad y familiarícese con el funcionamiento del sistema antes de instalarlo. Lea las especificaciones para asegurarse de que la altura práctica sea la correcta antes de su instalación. Lea la nota en la sección de especificaciones.
3. **⚠ ADVERTENCIA** **Riesgo de electrocución.** Desenchufe la bomba siempre que vaya a moverla o a realizar algún ajuste. El cable de potencia de la bomba lleva un conector a tierra y un enchufe de 3 espigas con conexión a tierra. Enchufe la unidad Sumpbox™ a un tomacorrientes a tierra debidamente conectado a masa para evitar electrocuciones. Dicho tomacorrientes deberá estar protegido por un interruptor de circuito de tierra accidental. Todos los circuitos eléctricos deberán cumplir con el código eléctrico nacional (NEC) de Estados Unidos y los códigos locales que correspondan. No quite la espiga a tierra del enchufe.

No quite la espiga a tierra del enchufe.

4. **⚠ ADVERTENCIA** El tomacorrientes deberá estar al alcance del cable de potencia. **Nunca utilice un cable prolongador.**
5. Los cables de potencia del sistema *LowPro* llevan enchufes en cascada y se tendrán que enchufar en serie para que funcionen automáticamente (ver fig. 1).
6. Verifique que la fuente de energía sea adecuada para el amperaje de la bomba. La información del amperaje está en la placa y en el material informativo del producto. El circuito de suministro eléctrico tendrá que tener fusibles o interruptores automáticos de capacidad suficiente.
7. Es recomendable instalar un circuito de derivación exclusivamente para la bomba. Este circuito deberá cumplir las recomendaciones del NEC.
8. Compruebe que todos los tomacorrientes estén conectados a tierra. Se puede usar un analizador de circuitos con aprobación UL para verificar que la energía, el neutro y el hilo de masa estén bien conectados.
9. La instalación y prueba de los circuitos eléctricos deberá estar a cargo de un electricista licenciado.
10. Todas la tuberías tanto de residuos como de ventilación se tendrán que instalar respetando los códigos de fontanería locales. **La unidad necesita ventilación adecuada. No se deben utilizar artefactos de ventilación de tuberías automáticos ni mecánicos.** La bomba no se deberá instalar en un lugar clasificado como peligroso por el NEC, ANSI/NFPA 70.
11. **⚠ PRECAUCIÓN** La temperatura del líquido no podrá superar los 60°C (140°F) .
12. Desconecte la bomba antes de moverla o mantenerla.

Figura 1 Enchufe en cascada



3. Instalación

1. El sistema *LowPro* viene montado de fábrica; verifique que el tanque, la bomba y los accesorios no hayan sufrido daños durante el transporte. Comuníquese con el distribuidor si se presenta algún problema antes de la instalación.
2. El emplazamiento del tanque tendrá que estar nivelado. Coloque el tanque en su ubicación final y compruebe que esté nivelado. Si no lo está, puede usar cemento hidráulico o un material similar para rectificar el problema.
3. **Si va a instalar viguetas en el piso o en la pared, tenga cuidado de no agujerear el tanque con clavos, tornillos y otros objetos puntiagudos.**
4. Determine cuál es el punto más cercano y accesible para conectar las líneas de desagüe y ventilación a las tuberías existentes. Haga las mediciones necesarias para decidir las conexiones y tuberías que se van a necesitar.
5. Con la arandela de caucho que se incluye se puede instalar una entrada para una tubería de drenaje de PVC de 5.08 cm (2 plg) para instalar otros accesorios, como por ejemplo un fregadero o una ducha. Determine el mejor punto para la entrada de la tubería de drenaje en el tanque, siempre dentro de las áreas texturadas de la cámara de la bomba. Vea la fig. 2. **No taladre por debajo o por fuera de estas áreas texturadas.** Las tuberías de drenaje deberán tener un flujo por gravedad adecuado hacia el sistema. Si

se va a utilizar una ducha, se deberá elevar para que desagüe correctamente. Taladre un orificio de 7.62 cm (3 plg.) de diámetro e inserte la arandela. Introduzca la tubería de drenaje de PVC de 5.08 cm (2 plg.); lubríquela si es necesario.

Nota: si se va a instalar una lavadora, lo más conveniente es vaciarla en una pileta con una bolsa filtrante antes del sistema LowPro. Además habrá que quitar la tapa periódicamente para limpiar la pelusa y demás suciedad del interruptor.

6. **NOTA:** las conexiones del tanque se deberán APRETAR CON LA MANO SOLAMENTE. Use cinta de teflón para sellar las roscas. Instale una tubería de PVC de 5.08 cm (2 plg) en la conexión con la etiqueta «Discharge». Conecte la válvula de retención de 5.08 cm (2 plg) (Fig. 8, pieza 14) a la tubería de desagüe tan cerca de la parte superior del tanque como sea posible. Las flechas en la válvula deben apuntar hacia arriba en dirección contraria a la bomba. **El tamaño de la tubería de desagüe nunca debe bajar de 5.08 cm (2 plg).**
7. Lleve las tuberías de desagüe hasta la línea de aguas residuales del edificio; mantenga los giros al mínimo. En la nota de la sección de especificaciones encontrará la altura máxima para el sistema LowPro.
8. **Instale una tubería de ventilación de 5.08 cm (2 plg) en el respiradero de la tapa. Conecte la tubería a la línea de ventilación del edificio o directamente al exterior.** La unidad deberá ventilarse directamente al aire libre según los códigos nacionales y locales. **NO utilice** un artefacto de ventilación automático ni mecánico.
9. Si no se va a instalar un piso acabado encima del tanque LowPro, sátese los pasos del 10 al 12, y continúe con el paso 13.
10. La abertura en estado tosco necesaria para la instalación con viguetas para piso de 5.08 x 15.24 cm (2 x 6 plg.) variará dependiendo del emplazamiento y la orientación del tanque. La abertura necesaria para abarcar todo el tanque LowPro es de 106.68 x 62.23 cm (42 x 24½ plg.).
11. Mida el grosor del piso acabado y determine el número de espaciadores para collarines (Figura 8, pieza 17) que se necesitan para levantar los collarines al nivel del suelo acabado. Vea la Figura 6.
12. Coloque los espaciadores de plástico necesarios (según el paso 11) en el collarín de latón. La espuma obturadora de los espaciadores debe estar orientada hacia abajo. El espaciador no se adherirá al collarín, por lo que es importante que no lo mueva cuando instale el inodoro.
13. Instale el sello de cera incluido en el inodoro según las instrucciones del mismo. Instale el collarín en el inodoro según las instrucciones del mismo. Conecte la línea de agua al inodoro. Abra la llave del agua y llene el tanque del inodoro. Compruebe que no haya fugas. Tire de la cadena varias veces y deje que la bomba pase por su ciclo para asegurarse de que funciona correctamente.

NOTA: el sistema LowPro lleva un chorro interno a presión que ayuda a deshacer los elementos sólidos y por consiguiente a reducir los atascos. Debido a que el volumen de agua por ciclo de bombeo no es muy elevado en este tipo de sistemas, es importante que no eche en el LowPro una cantidad excesiva de papel higiénico, ni papel reforzado, toallitas de papel, compresas y tampones y otros objetos foráneos.

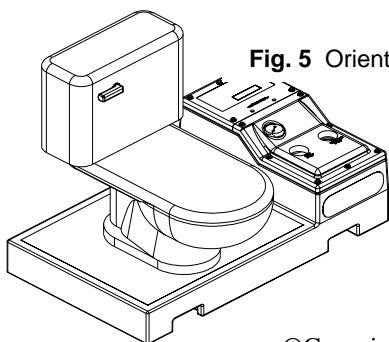


Fig. 5 Orientación opcional del inodoro

Fig. 2 El tanque tiene tres áreas texturadas donde se puede instalar la arandela de caucho. Si se instala fuera de estas áreas existe el peligro de dañar los componentes internos.

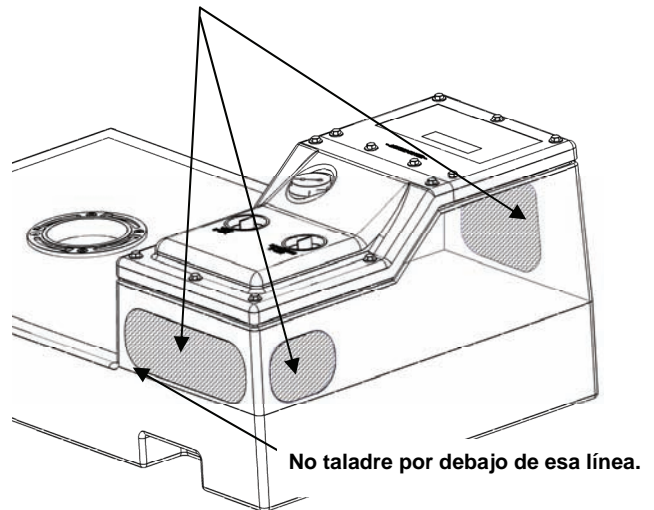


Fig.3 Instalación típica terminada

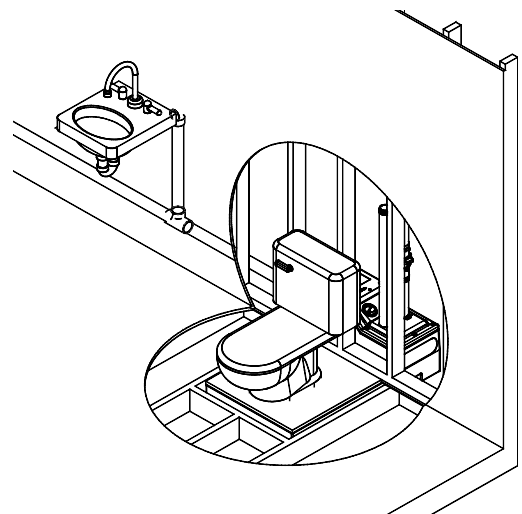
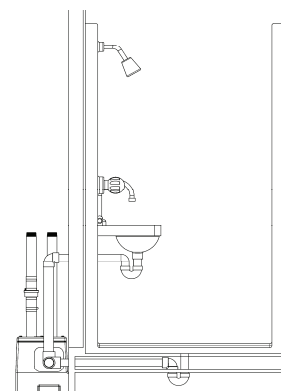
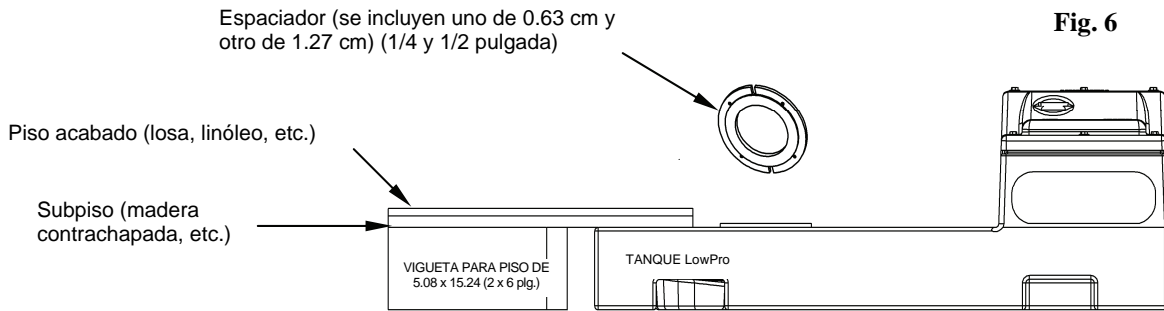


Fig. 4 Vista lateral con ducha elevada





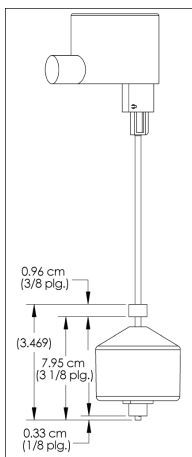
4. Especificaciones y lista de piezas de la bomba

Especificaciones LOWPRO41LP

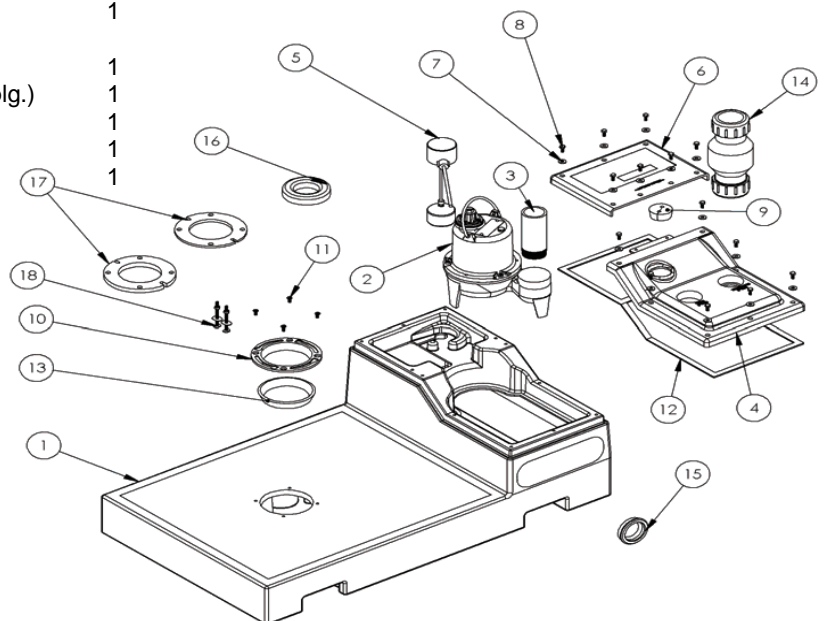
Pieza	Núm. pieza	Descripción	Cantidad
1	4622000	Tanque, perfil rebajado	1
2	LE41LP	Bomba, saneamiento 4/10Hp, 115V	1
3	4623000	Empalme, 5.08 cm (2 plg.) PVC 80	1
4	462100B	Tapa, acceso bomba	1
5	4616000	Interruptor, vertical	1
6	462000B	Tapa, acceso interruptor	1
7	8131000	Arandela, plana 0.63 cm x 1.90 cm (1/4 X 3/4 plg.)	14
8	8129000	Perno, de 20 giros, 0.63 cm x 1.60 cm (1/4-20 X 5/8 plg.), cabeza hexagonal	14
9	4022000	Tope, orificio doble cordón	1
10	4624000	Collarín, latón	1
11	8018000	Tornillo, de 20 giros, 0.63 cm x 1.60 cm (1/4-20 X 5/8 plg.) ranurado	4
12	4039000	Junta, cinta 2.54 cm x 0.33 cm (1 X 1/8 plg.) tapa	1
13	4039RA0	Cinta obturadora, para collarín	1
14	CV200C	Válvula de retención, ajuste de compresión PVC 5.08 cm (2 plg.)	1
15	4762000	Arandela, sello tubería, 5.08 cm (2 plg.)	1
16	4627000	Anillo de cera	1
17	4626000	Extensión collarín	1
18	4625000	Pernos collarín	1

Hp	4/10
Volts	115
Fase	1
Amps carga total	12
Hz	60
Sólidos	5.08 cm (2 plg.)
Tamaño salida	5.08 cm (2 plg.)

NOTA: el sistema LowPro tiene una altura de desconexión (elevación máxima) de 6.33m (19 pies). La altura práctica para obtener un flujo adecuado es de 5.83m (17.5 pies) y puede ser inferior dependiendo de la carrera y la fricción. En la fábrica le informarán del tamaño de bomba adecuado para su caso.



Consulte el diagrama para ajustar el interruptor de flotador (5). La bomba arranca cuando hay 10.16 cm (4 plg.) de desechos y los reduce a 7.60 cm (3 plg.) aproximadamente. Para ajustar el interruptor, quite su tapa (6) y saque el interruptor (5) del tanque. Una vez ajustado a los largos indicados anteriormente, coloque el cordón entre los dos bujes para instalar el interruptor. Vuelva a colocar la tapa en el tanque.



5. Mantenimiento y diagnóstico de problemas



Riesgo de electrocución. Desenchufe la bomba siempre que vaya a moverla o a realizar algún ajuste.

Problema	Causa	Solución
La bomba no funciona.	<ul style="list-style-type: none"> Se ha fundido un fusible o el flujo eléctrico se ha visto interrumpido de algún otro modo; tensión incorrecta. 	<ul style="list-style-type: none"> Compruebe que la bomba esté enchufada. Haga que un electricista compruebe que todos los cables estén correctamente conectados y la capacidad sea la necesaria.
	<ul style="list-style-type: none"> El interruptor no puede cambiar a la posición de encendido por culpa de una interferencia con el lateral del tanque u otra obstrucción. 	<ul style="list-style-type: none"> Coloque la bomba o el interruptor de forma que pueda funcionar libremente.
	<ul style="list-style-type: none"> Líquido insuficiente. Interruptor defectuoso. 	<ul style="list-style-type: none"> El líquido debe subir lo suficiente como para activar el interruptor. Reemplace el interruptor.
La bomba no se apaga.	<ul style="list-style-type: none"> El interruptor no puede cambiar a la posición de apagado por culpa de una interferencia con el lateral del tanque u otra obstrucción. 	<ul style="list-style-type: none"> Coloque la bomba o el interruptor de forma que pueda funcionar libremente.
	<ul style="list-style-type: none"> Interruptor defectuoso. 	<ul style="list-style-type: none"> Reemplace el interruptor.
La bomba funciona o zumba pero no bombea.	<ul style="list-style-type: none"> El desagüe está atascado. 	<ul style="list-style-type: none"> Compruebe que no haya atascos en la línea de desagüe, como puede ser hielo si la línea pasa por áreas frías.
	<ul style="list-style-type: none"> Compruebe que la válvula no se haya quedado cerrada o esté instalada al revés. 	<ul style="list-style-type: none"> Saque la válvula de retención y asegúrese de que funciona sin impedimentos y fue instalada correctamente.
	<ul style="list-style-type: none"> La válvula de compuerta/bola está cerrada . 	<ul style="list-style-type: none"> Abra la válvula de compuerta o de bola .
	<ul style="list-style-type: none"> La elevación total es superior a la capacidad de la bomba. 	<ul style="list-style-type: none"> Dirija las tuberías a una altura inferior. Si esto no es posible, necesitará adquirir otra bomba de mayor capacidad. Consulte con la fábrica.
	<ul style="list-style-type: none"> El rotor de la bomba está atascado o la cubierta de voluta está taponada. 	<ul style="list-style-type: none"> *Saque la bomba de la cubeta. Separe la base de la bomba y limpie la zona que rodea al rotor. Monte la bomba y vuélvala a instalar.
La bomba se pone a funcionar cuando la maquinaria no está en uso.	<ul style="list-style-type: none"> No hay instalada una válvula de retención, se queda abierta o tiene una fuga. 	<ul style="list-style-type: none"> Saque la válvula de retención y asegúrese de que funciona sin impedimentos y fue instalada correctamente.
	<ul style="list-style-type: none"> Las piezas gotean. 	<ul style="list-style-type: none"> Repare las piezas para eliminar las fugas.
La bomba hace demasiado ruido.	<ul style="list-style-type: none"> Material foráneo en la cavidad del rotor. 	<ul style="list-style-type: none"> *Saque la bomba de la cubeta. Separe la base de la bomba y limpie la zona que rodea al rotor. Monte la bomba y vuélvala a instalar.
	<ul style="list-style-type: none"> Rotor roto. 	<ul style="list-style-type: none"> La fábrica le puede informar sobre cómo reemplazar el rotor.
	<ul style="list-style-type: none"> Cojinetes desgastados. 	<ul style="list-style-type: none"> Envíe la bomba a reparar a la fábrica o a un centro de reparación autorizado.
	<ul style="list-style-type: none"> Las conexiones de las tuberías al edificio son demasiado rígidas. 	<ul style="list-style-type: none"> Cambie una parte de la línea de desagüe con una manguera o conector de caucho.

***NOTA:** Liberty Pumps, Inc. no asume ninguna responsabilidad por desperfectos o lesiones resultantes del desmontaje de la bomba sobre el terreno. Si el desmontaje de la bomba no lo lleva a cabo Liberty Pumps o uno de sus centros de servicio autorizados, la garantía quedará anulada.

Garantía limitada de 2 años

***NOTA:** Liberty Pumps, Inc. no asume ninguna responsabilidad por desperfectos o lesiones resultantes del desmontaje de la bomba en el campo. Si el desmontaje de la bomba no lo lleva a cabo Liberty Pumps o uno de sus centros de servicio autorizados, la garantía quedará anulada.

Liberty Pumps, Inc. garantiza que las bombas que fabrica están libres de defectos en los materiales y la mano de obra por un período de 2 años a partir de la fecha de compra. La fecha de compra se determinará con el recibo de compra fechado, que incluya el modelo y el número de serie de la bomba. Este recibo deberá acompañar a la bomba si la fecha de devolución ocurre más de 2 años después de la fecha de fabricación (código-CODE) indicada en la placa de la unidad.

Las obligaciones del fabricante bajo esta garantía se limitarán a la reparación o el reemplazo de las piezas que el fabricante determine que son defectuosas, siempre que la pieza o el ensamblaje se devuelva con el porte pagado al fabricante o a uno de sus centros de servicio autorizados y que no se evidencie ninguna de las siguientes características, lo que supondría la anulación de la garantía.

El fabricante no tendrá obligación alguna bajo esta garantía si el producto no ha sido instalado correctamente; si ha sido desmontado, modificado, abusado o forzado; si el cordón eléctrico se ha cortado, dañado o empalmado; si se redujo el tamaño de la descarga de la bomba; si la bomba se usó con agua más caliente de la temperatura nominal, o agua con arena, cal, cemento, grava u otros elementos abrasivos; si se utilizó para bombear productos químicos o hidrocarburos; si un motor no sumergible fue sometido a exceso de humedad; o si se retiró la etiqueta con el número de serie, modelo y código. Liberty Pumps, Inc. no se hace responsable de pérdidas, daños o gastos que resulten por la instalación o uso de sus productos, o por daños emergentes, incluidos los costos de desmontar, reinstalar o transportar la unidad.

No se ofrece ninguna otra garantía expresa. Todas las garantías implícitas, incluidas las de comerciabilidad y adecuación para un propósito determinado, están limitadas a un plazo de dos años a partir la fecha de compra.

Esta garantía representa el único remedio del comprador y, siempre que se permita, se excluye toda responsabilidad por daños emergentes y fortuitos bajo toda otra garantía.



7000 Apple Tree Avenue
Bergen, NY 14416
Teléfono: (800) 543-2550
Fax: (585) 494-1839
www.libertypumps.com

Système d'égout pour espace restreint LowPro41LP

Modèle

LowPro41LP 4/10 HP 115 V



Table des matières

- 1.) Renseignements généraux
- 2.) Précautions/préinstallation
- 3.) Installation
- 4.) Caractéristiques de la pompe et liste de pièces
- 5.) Entretien et dépannage

IMPORTANT :

Avant l'installation, noter les numéros de modèle, de série et de code qui figurent sur la plaque signalétique pour éventuellement s'y référer.

MODÈLE _____

SÉRIE _____

CODE _____

DATE
D'INSTALLATION _____

Liberty Pumps®

7000, avenue Apple Tree
Bergen (NY) 14416
Téléphone : (800) 543-2550
Télécopieur : (585) 494-1839
www.libertypumps.com



1. Renseignements généraux

Lire attentivement les directives avant d'effectuer l'installation. Chaque pompe de marque Liberty est testée individuellement en usine pour assurer un bon fonctionnement. Le fait de suivre ces directives à la lettre éliminera les risques de problèmes de fonctionnement et assurera des années de service sans soucis.

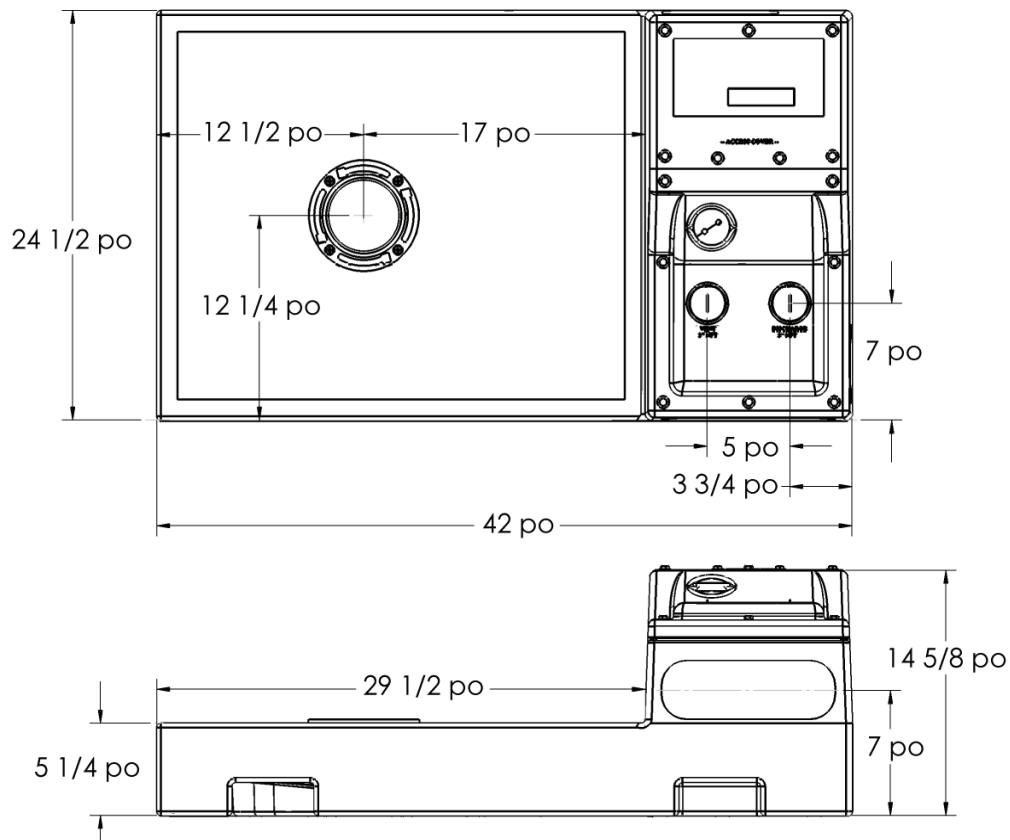
⚠ MISE EN GARDE

- **Danger d'électrocution** : Le cordon d'alimentation électrique de la pompe est muni d'un conducteur de mise à la terre et d'une fiche de branchement de type mise à la terre à trois broches. Afin de réduire les dangers d'électrocution, s'assurer que celle-ci est raccordée seulement à une prise de 115 V correctement mise à la terre. L'installation de tout circuit électrique doit être faite en respectant le code national de l'électricité et tous les codes locaux et règlements en vigueur. Cette pompe ne doit pas être installée dans un endroit classé dangereux selon la norme ANSI/NFPA 70 du NEC.
- L'installation doit être faite en respectant le code national de l'électricité et tous les codes locaux en vigueur.
- Confier l'installation et la réparation à des personnes qualifiées.

⚠ AVERTISSEMENT

- Ne pas utiliser ces pompes dans de l'eau dont la température est supérieure à 60 °C (140 °F)
- Le Uniform Plumbing Code (UPC, Code de plomberie universel) indique que les systèmes d'égout doivent être munis d'une d'alarme sonore et visuelle qui signale tout mauvais fonctionnement du système, afin de réduire les risques de dommages à la propriété.

Données sur les dimensions



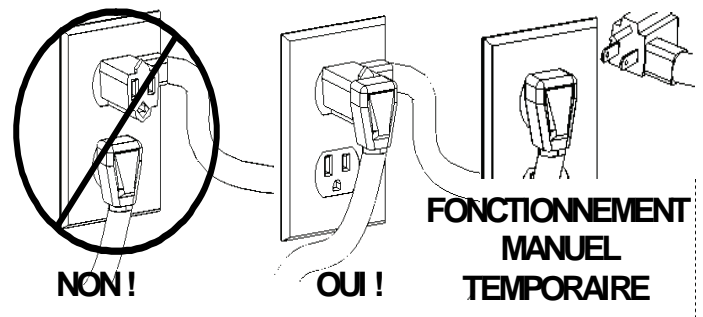
2. Précautions/préinstallation

1. Inspecter tous les matériaux pour s'assurer qu'aucune pièce n'a subi de dommages lors du transport et que tous les composants ont été reçus. Communiquer avec votre revendeur en cas de problème avant l'installation.
2. Lire toutes les directives et se familiariser avec le fonctionnement de l'appareil avant de procéder à l'installation. Prendre connaissance des caractéristiques assignées de la pompe afin de vérifier que son rendement est adéquat avant l'installation – consulter la « remarque » au chapitre des caractéristiques de la pompe.
3. **MISE EN GARDE** **Danger d'électrocution.** Toujours débrancher la pompe de l'alimentation électrique avant de la manipuler ou d'y effectuer des réglages. Le cordon d'alimentation électrique de la pompe est muni d'un conducteur de mise à la terre et d'une fiche de branchement de type mise à la terre à trois broches. Afin de réduire les dangers d'électrocution, s'assurer que le SumpBoxMC est raccordé seulement à une prise correctement mise à la terre. Cette prise devrait être protégée par un disjoncteur de fuite de terre (différentiel). L'installation de tout circuit électrique doit être faite en respectant le code national de l'électricité et tous les codes locaux et règlements en vigueur. Ne jamais retirer la broche de mise à la terre de la fiche.

Ne jamais retirer la broche de mise à la terre de la fiche.

4. **AVERTISSEMENT** S'assurer que la prise murale est à la portée du cordon d'alimentation. **Ne jamais utiliser de rallonge.**
5. Les cordons d'alimentation du système *LowPro* sont munis de connecteurs siamois qui doivent être raccordés en série pour fonctionner automatiquement (voir fig. 1).
6. S'assurer que la source d'alimentation électrique convient à l'intensité du courant électrique de la pompe. On peut trouver l'intensité du courant électrique de la pompe sur la plaque signalétique et/ou la documentation du produit. S'assurer que le circuit d'alimentation électrique est muni de fusibles ou de coupe-circuit de la bonne puissance.
7. Il est recommandé d'installer la pompe sur un circuit de dérivation. Un tel circuit de dérivation doit être conçu en respectant le code de l'électricité.
8. On doit vérifier toutes les prises électriques pour s'assurer que la mise à la terre fonctionne bien. Un multimètre approuvé par UL indiquera si les fils sous tension, neutres et de mise à la terre sont raccordés correctement.
9. Un électricien autorisé qualifié doit installer et vérifier tous les circuits électriques.
10. Toute la plomberie (évacuation et ventilation) doit être installée conformément aux codes de plomberie en vigueur. **Cet appareil doit être adéquatement ventilé. On ne doit pas utiliser de systèmes d'évent automatique ou mécanique.** Cette pompe ne doit pas être installée dans un endroit classé dangereux selon la norme ANSI/NFPA 70 du NEC.
11. **AVERTISSEMENT** La température du liquide ne doit pas dépasser 60 °C (140 °F).
12. Toujours débrancher la pompe de l'alimentation électrique avant de la retirer ou d'effectuer l'entretien.

Fig. 1 Installation de prises siamoises.



3. Installation

1. L'appareil *LowPro* est expédié déjà monté; inspecter le réservoir, la pompe et les accessoires pour repérer tout dommage subi lors du transport. Communiquer avec le revendeur en cas de problème avant l'installation.
2. L'emplacement où le réservoir sera installé doit être au niveau. Placer le réservoir à l'endroit où il sera installé et s'assurer qu'il est bien au niveau. Utiliser du ciment hydraulique ou un matériau semblable pour mettre le plancher au niveau, si nécessaire.
3. **Faire preuve de prudence lors de l'installation de murs ou de solives de planchers, afin d'éviter que des clous, vis ou autres objets pointus ne percent le réservoir en construisant le cadre.**
4. Déterminer quels sont les endroits les plus rapprochés et facilement accessibles pour raccorder les conduits d'évacuation et d'évent aux canalisations existantes. Prendre les mesures et déterminer quels raccordements de plomberie et tuyaux sont nécessaires.
5. On peut installer un tuyau de vidange de 2 po en PVC provenant d'autres installations (par ex. : un évier ou une douche) en utilisant un œillet à tuyaux en caoutchouc (fourni). Déterminer le meilleur endroit où le tuyau de vidange doit pénétrer dans le réservoir en s'assurant qu'il se trouve dans la zone texturée identifiée de la chambre de la pompe. Voir l'exemple à la fig. 2. **Ne pas percer en-dessous ou à l'extérieur des zones texturées.** S'assurer que les tuyaux de vidange sont installés de manière à permettre l'écoulement par gravité vers le système. Lors du raccordement d'une douche, s'assurer qu'elle est assez élevée pour permettre une

interception et un écoulement adéquats. Percer un trou de 7,6 cm (3 po) et insérer l'œillet. Faire glisser le tuyau d'évacuation de 2 po dans l'œillet à tuyau, en lubrifiant le tuyau de manière à faciliter l'installation.

Remarque : Pour l'installation d'une laveuse, il est recommandé de prévoir son écoulement dans un bassin muni d'un filtre à charpie avant l'écoulement dans le LowPro. De plus, on doit retirer régulièrement le couvercle protecteur et déloger les charpies et résidus de l'interrupteur.

6. **REMARQUE :** Raccordements filetés au réservoir – **RESSERRER À LA MAIN SEULEMENT.** Utiliser du ruban Teflon® pour sceller les filets. Installer un tuyau de PVC de 2 po aux raccords identifiés. Fixer le clapet antiretour de 2 po (fig. 8, article 14) au tuyau d'évacuation le plus près possible du réservoir. S'assurer que les flèches qui se trouvent sur le clapet antiretour pointent vers le haut, dans la direction opposée de la pompe. **Ne pas installer de tuyau d'évacuation d'une dimension inférieure à 5 cm (2 po).**
7. Compléter le raccordement du tuyau d'évacuation au tuyau d'égout de la maison le plus directement possible. Voir la « remarque » au chapitre des caractéristiques de la pompe pour connaître le rendement maximum du système LowPro.
8. **Installer un tuyau d'évent de 2 po dans l'orifice de ventilation sur le couvercle. Raccorder le tuyau d'évent à la canalisation de ventilation de la maison ou directement à l'air libre.** Le dispositif de ventilation de l'appareil doit déboucher à l'air libre, selon les recommandations des codes de plomberie nationaux ou locaux **NE JAMAIS** utiliser avec un système d'évent automatique ou mécanique.
9. S'il n'est pas prévu d'installer un plancher fini par-dessus le système de réservoir LowPro, sauter les étapes 10 à 12 et reprendre l'installation à l'étape 13.
10. La dimension intérieure de l'ouverture brute nécessaire à cette installation, à l'aide de solives de plancher 2 po X 6 po standard, variera en fonction de l'installation comme telle et de l'orientation du réservoir. La dimension intérieure de l'ouverture brute nécessaire pour contenir entièrement le réservoir LowPro est de 107 cm X 62 cm (42 po X 24½ po).
11. Mesurer l'épaisseur du plancher fini et déterminer le nombre de coussinets de bride de plancher (figure 8, article 17) nécessaires pour amener la bride de plancher au niveau du plancher fini. Voir figure 6.
12. Installer la quantité nécessaire de coussinets de plastique pour bride de plancher (telle qu'établie à l'étape 11) sur la bride de plancher en laiton. Le joint d'étanchéité en mousse sur le(s) coussinet(s) doit être orienté vers le bas. Le(s) coussinet(s) ne sont pas fixés à la bride de plancher, alors il faut faire attention de ne pas le(s) déplacer lors de l'installation de la cuvette.
13. Installer l'anneau d'étanchéité ciré fourni sur la cuvette en suivant les directives incluses avec la cuvette. Installer la cuvette sur la bride de plancher en suivant les directives incluses avec la toilette. Raccorder la canalisation d'alimentation en eau à la toilette. Ouvrir l'arrivée d'eau et remplir le réservoir de la toilette. Vérifier la présence de fuites. Actionner la chasse d'eau à plusieurs reprises afin de permettre à la pompe de compléter son cycle et ainsi s'assurer de son bon fonctionnement.

REMARQUE : La système LowPro est muni d'un jet de pulvérisation interne afin d'aider à défaire les amas solides et réduire les risques de blocage. En raison du volume limité d'eau utilisé lors de chaque cycle dans les systèmes de ce type, il faut éviter de jeter de grandes quantités de papier de toilette dans la cuvette à la fois, ni aucun papier renforcé, des serviettes hygiéniques ou d'autres corps étrangers dans le système LowPro.

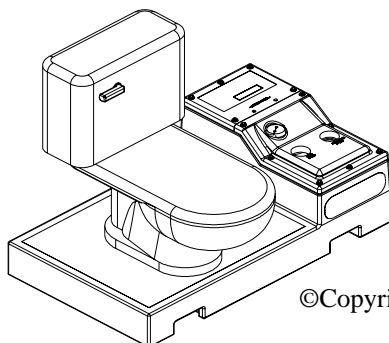


Fig. 5 Orientation facultative de la cuvette

Fig. 2 Le réservoir contient trois zones texturées qui conviennent à l'installation d'un œillet à tuyaux en caoutchouc. **L'installation à l'extérieur de ces zones peut endommager les composants internes**

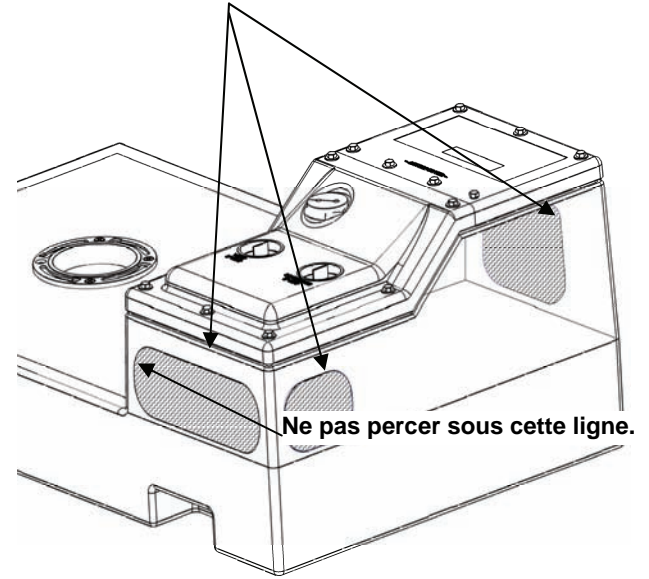


Fig. 3 Installation type avec finition

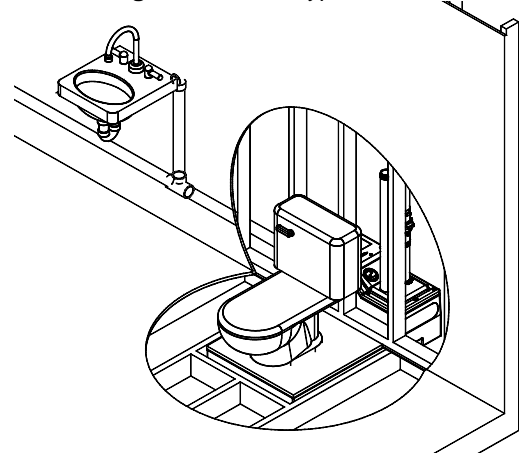
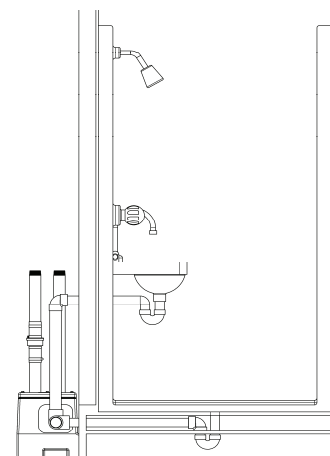
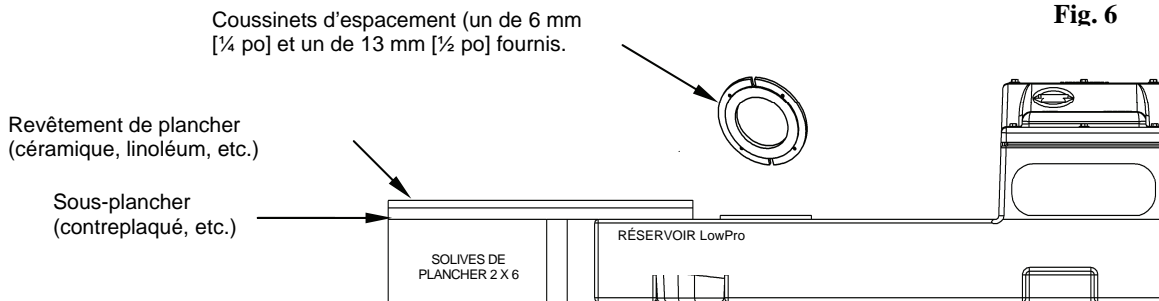


Fig. 4 Vue latérale d'une douche surélevée





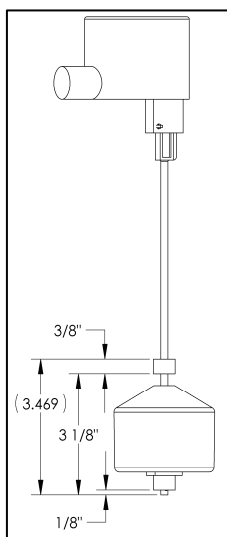
4. Caractéristique de la pompe et liste des pièces

Article	N° de pièce	Description	Qté.
1	4622000	Réservoir, profil bas	1
2	LE41LP	Pompe d'égoût, 4/10 Hp, 115 V	1
3	4623000	Mamelon, 2 po PVC, nomenclature 80	1
4	462100B	Couvercle protecteur de la pompe	1
5	4616000	Interrupteur vertical principal	1
6	462000B	Couvercle protecteur de l'interrupteur	1
7	8131000	Rondelle plate ¼ po x ¾ po A. I.	14
8	8129000	Boulon à tête hex. N° 20, ¼ po X 5/8 po, A. I.	14
9	4022000	Bouchon, orifice double	1
10	4624000	Bride de plancher en laiton	1
11	8018000	Vis à tête bombée n° 20, ¼ po X 5/8 po	4
12	4039000	Joint d'étanchéité de couvercle, ruban de 1 po X 1/8 po	1
13	4039RA0	Ruban d'étanchéité pour bride de plancher	1
14	CV200C	Clapet antiretour, 2 po PVC, raccords à compression	1
15	4762000	Œillet d'étanchéité de tuyau, 2 po	1
16	4627000	Bague cirée	1
17	4626000	Trousse d'extension de bride de plancher	1
18	4625000	Ensemble de boulons de cabinet	1

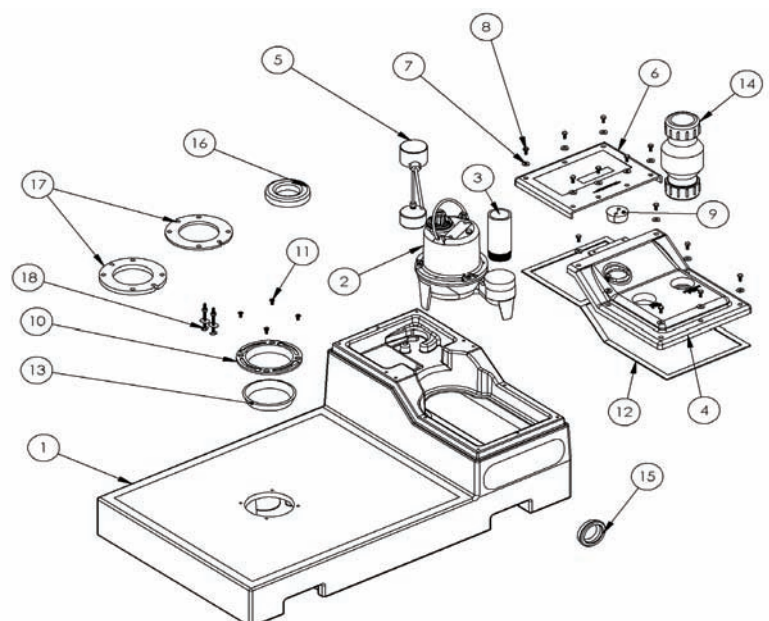
Caractéristiques de la pompe LOWPRO41LP

Hp	4/10
Volts	115
Phase	1
Intensité maximale	12
Hz	60
Tolérance des solides	51 mm (2 po)
Évacuation	51 mm (2 po)

REMARQUE : Le modèle The LowPro comporte une hauteur de chute maximum (hauteur géométrique d'aspiration maximum) de 6,33 m (19 po). La hauteur d'élévation maximum acceptable pour fournir un débit adéquat est d'environ 5,83 m (17,5 po) et peut varier en raison de facteur relatif à la friction et à la longueur du parcours. Consulter le fabricant pour déterminer la taille de la pompe qui convient.



Consulter le schéma pour régler l'interrupteur à flotteur (5). La pompe doit se mettre en marche lorsque la profondeur des matières à pomper est d'environ 10 mm (4 po) et continuer à fonctionner jusqu'à ce qu'elle atteigne 7 mm (3 po). Pour régler l'interrupteur à flotteur, retirer le couvercle d'accès (6) et soulever l'interrupteur à flotteur (5) pour le retirer du réservoir. Après l'avoir réglé selon les longueurs illustrées ci-dessus, remettre l'interrupteur à flotteur en plaçant le cordon entre les deux protubérances. Remettre le couvercle d'accès en place sur le réservoir.



5. Entretien et dépannage



Danger d'électrocution. Toujours débrancher la pompe de l'alimentation électrique avant de la manipuler ou d'y effectuer des réglages.

Problème	Cause	Mesure correctrice
La pompe ne fonctionne pas.	<ul style="list-style-type: none"> Fusible brûlé ou autre interruption d'alimentation; tension inadéquate. 	<ul style="list-style-type: none"> S'assurer que le branchement de l'appareil est sécuritaire. Demander à un électricien de vérifier le branchement de tous les câbles et de s'assurer que la capacité et l'intensité sont adéquates.
	<ul style="list-style-type: none"> * L'interrupteur ne peut se mettre en position de marche en raison de l'interférence du côté du bassin ou d'un autre type d'obstacle. 	<ul style="list-style-type: none"> Placer la pompe ou l'interrupteur de manière à ce que le dégagement soit suffisant pour bien fonctionner.
	<ul style="list-style-type: none"> Niveau de liquide insuffisant. Interrupteur défectueux. 	<ul style="list-style-type: none"> S'assurer que le niveau de liquide peut s'élever suffisamment pour activer le(s) interrupteur(s). Remplacer l'interrupteur s'il est défectueux.
La pompe refuse de s'éteindre.	<ul style="list-style-type: none"> * Le(s) interrupteur(s) ne peu(ven)t se mettre en position d'arrêt en raison de l'interférence du côté du bassin ou d'un autre type d'obstacle. 	<ul style="list-style-type: none"> Placer la pompe ou l'interrupteur de manière à ce que le dégagement soit suffisant pour bien fonctionner.
	<ul style="list-style-type: none"> Interrupteur défectueux . 	<ul style="list-style-type: none"> Remplacer l'interrupteur s'il est défectueux.
La pompe tourne ou gronde, mais ne pompe pas.	<ul style="list-style-type: none"> Conduits d'évacuation bloqués ou restreints. 	<ul style="list-style-type: none"> Vérifier dans la canalisation d'évacuation qu'il n'y ait pas de corps étrangers, y compris de formation de glace si la canalisation d'évacuation se trouve dans des zones froides ou les traverse.
	<ul style="list-style-type: none"> Clapet antiretour bloqué en position fermée ou incorrectement installé. 	<ul style="list-style-type: none"> Retirer tout clapet antiretour et vérifier qu'il fonctionne librement et est bien installé.
	<ul style="list-style-type: none"> Robinet vanne ou clapet à bille fermé. 	<ul style="list-style-type: none"> Ouvrir le robinet-vanne ou le clapet à bille.
	<ul style="list-style-type: none"> La charge ascensionnelle totale dépasse la capacité de la pompe. 	<ul style="list-style-type: none"> Essayer de rediriger le tuyau à un niveau inférieur. Si c'est impossible, il faut probablement se procurer une pompe plus puissante. Consulter le fabricant.
La pompe tourne périodiquement lorsque les accessoires ne sont pas utilisés.	<ul style="list-style-type: none"> Le rotor de la pompe est bloqué ou le corps de pompe en spirale est bouché. 	<ul style="list-style-type: none"> *Retirer la pompe du bassin. Détacher la base de la pompe et nettoyer la zone entourant le rotor. Remonter et réinstaller.
	<ul style="list-style-type: none"> Clapet antiretour non installé, bloqué en position ouverte ou qui fuit. 	<ul style="list-style-type: none"> Retirer tout clapet antiretour et vérifier qu'il fonctionne librement et est bien installé.
La pompe fait du bruit.	<ul style="list-style-type: none"> Les accessoires coulent. 	<ul style="list-style-type: none"> Réparer les accessoires au besoin pour éliminer les fuites.
	<ul style="list-style-type: none"> Corps étrangers dans les cavités du rotor. 	<ul style="list-style-type: none"> *Retirer la pompe du bassin. Détacher la base de la pompe et nettoyer la zone entourant le rotor. Remonter et réinstaller.
	<ul style="list-style-type: none"> Rotor brisé. 	<ul style="list-style-type: none"> Consulter le fabricant pour obtenir de l'information au sujet du remplacement du rotor.
	<ul style="list-style-type: none"> Coussinets usés. 	<ul style="list-style-type: none"> Retourner la pompe au fabricant ou la faire réparer par un réparateur autorisé.
	<ul style="list-style-type: none"> Raccordements des tuyaux trop rigides à la structure de la maison. 	<ul style="list-style-type: none"> Remplacer une partie du tuyau d'évacuation par un boyau ou un raccord en caoutchouc.

***REMARQUE :** Liberty Pumps, Inc. n'est pas responsable des dommages ou blessures résultant d'un démontage sur le terrain. Le démontage effectué ailleurs que chez Liberty Pumps ou à l'un de ces centres de services autorisés annule automatiquement la garantie.

Garantie limitée de 2 ans

***REMARQUE :** Liberty Pumps, Inc. n'est pas responsable des dommages ou blessures résultant d'un démontage sur le terrain. Le démontage effectué ailleurs que chez Liberty Pumps à l'un de ces centres de services autorisés annule automatiquement la garantie.

Liberty Pumps, Inc. garantit que les pompes sortant de son usine sont exemptes de tout défaut de matériau et de fabrication pour une période de 2 ans à partir de la date d'achat. La date d'achat sera établie par une facture d'achat datée indiquant les numéros de modèle et de série de la pompe. La pompe retournée doit être accompagnée de la facture d'achat datée si la date de retour se situe à plus de 2 ans du numéro de « CODE » (date de fabrication) indiqué sur la plaque signalétique de la pompe.

L'obligation de garantie du fabricant se limite à la réparation ou au remplacement de toute pièce jugée défectueuse par le fabricant, à condition que la pièce ou l'appareil soient retournés franco de port au fabricant ou à son centre d'entretien autorisé et à condition qu'il n'y ait aucune preuve que les critères suivants annulant la garantie sont en cause.

Le fabricant ne peut en aucun cas être tenu responsable, selon les dispositions de cette garantie, si le produit n'a pas été correctement installé; s'il a été démonté, modifié, soumis à un usage abusif ou endommagé; si le cordon électrique a été coupé, endommagé ou ligaturé; si la taille du tuyau d'évacuation de la pompe a été réduite; si la pompe a été utilisée pour pomper de l'eau d'une température supérieure aux recommandations ci-dessus ou de l'eau contenant du sable, de la chaux, du ciment, du gravier ou autres matières abrasives; si le produit a été utilisé pour pomper des produits chimiques ou des hydrocarbures; si un moteur non submersible a été exposé à de l'humidité excessive; ou si l'étiquette portant le numéro de série, de modèle et de code a été retirée. Liberty Pumps, Inc. ne pourra être tenue responsable des pertes, dommages, frais attribuables à l'installation ou l'utilisation de ses produits ni pour les dommages accessoires ou consécutifs, y compris les coûts de retrait, de réinstallation ou de transport.

Il n'y a aucune autre garantie expresse. Toute garantie implicite, y compris celles de qualité marchande et d'aptitude à une fin particulière est limitée à deux ans à partir de la date d'achat.

Cette garantie contient le recours exclusif de l'acheteur et exclut, lorsque permis par la loi, toute responsabilité pour dommages consécutifs ou accessoires en vertu de toutes autres garanties.



7000, avenue Apple Tree
Bergen (NY) 14416
Téléphone : (800) 543-2550
Télécopieur : (585) 494-1839
www.libertypumps.com

