

- BL-400CL**     **BL-400C**
- BL-400BN**     **BL-400ORB**



## **4" Two Handle Lavatory Faucet**

# **Product Spec Sheet**



### **FEATURES & BENEFITS**

- This Product Contains Less Than 0.25% Weighted Average Lead Content On Wetted Surfaces
- Metal Lever Handles
- Ceramic Cartridges
- Brass Pop-up
- Max Flow Rate 1.5 GPM(5.7LPM) at 60 PSI (ASME.A112.18.1)

- BL-400C  
Chrome Finish
- BL-400BN  
Brushed Nickel Finish
- BL-400ORB  
Oil Rubbed Bronze Finish
- BL-400CL  
Less Pop-up  
Chrome Finish

#### **APPROVALS:**

**Meets or Exceeds The Following:**

- \* ANSI/ASME A112.18.1
- \* ANSI/NSF 61 – Sec. 9
- \* IAPMO/UPC
- \* CA AB1953



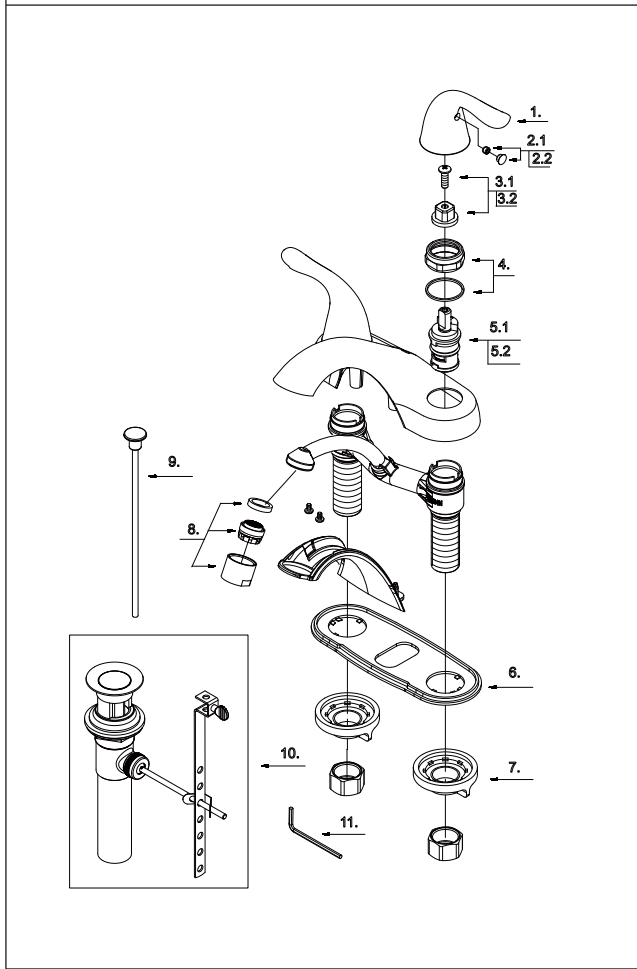
<b>CALIFORNIA:</b>	<b>TEL: 866-532-8306</b>	<b>FAX: 866-532-8307</b>
<b>TEXAS:</b>	<b>TEL: 800-935-5456</b>	<b>FAX: 800-683-4247</b>
<b>NEW YORK:</b>	<b>TEL: 800-431-2082</b>	<b>FAX: 800-640-2252</b>

**BL-400CL**    **BL-400C**  
 **BL-400BN**    **BL-400ORB**

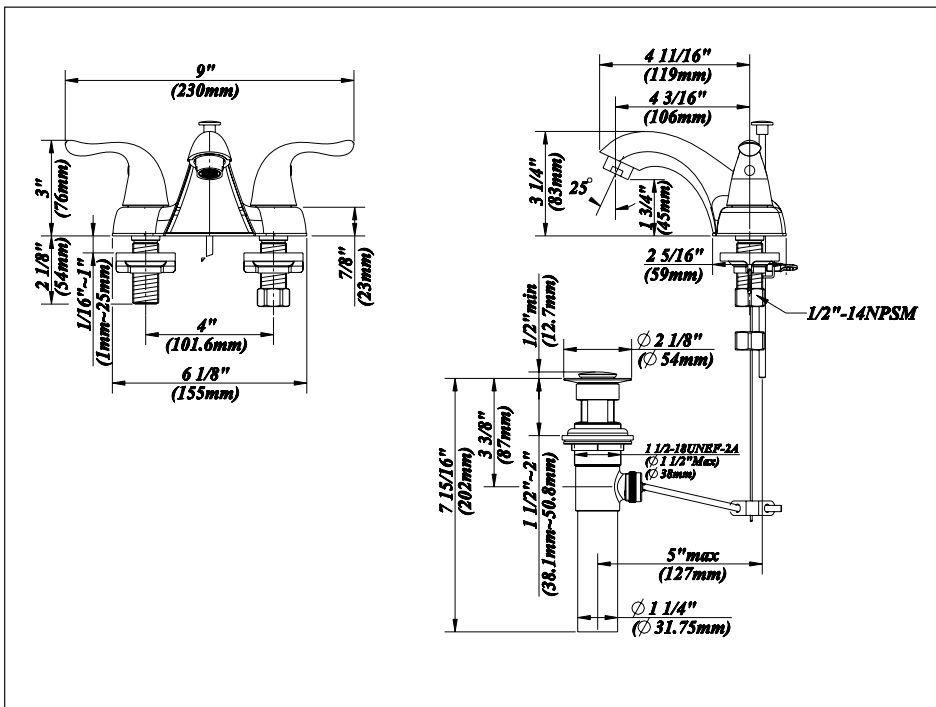


# 4" Two Handle Lavatory Faucet

No.	Name	Material
1	Metal Handle Assembly	Zinc Alloy
2.1	Index Button-Cold	Plastic
2.2	Index Button-Hot	Plastic
3.1	Handle Adaptor-Cold	Plastic
3.2	Handle Adaptor-Hot	Plastic
4	Retainer Nut & Washer	Brass
5.1	Ceramic Disc Cartridge-Cold	Ceramic & Brass
5.2	Ceramic Disc Cartridge-Hot	Ceramic & Brass
6	Putty Plate	Plastic
7	Lock Nut Set	Plastic
8	Aerator	Plastic & Brass
9	Lift Rod	Brass
10	Pop-up Assembly	Brass
11	Hex Wrench	Steel



# Product Spec Sheet



### APPROVALS:

Meets or Exceeds The Following:

- \* ANSI/ASME A112.18.1
- \* ANSI/NSF 61 – Sec. 9
- \* IAPMO/UPC
- \* CA AB1953

**CALIFORNIA:** TEL: 866-532-8306 FAX: 866-532-8307  
**TEXAS:** TEL: 800-935-5456 FAX: 800-683-4247  
**NEW YORK:** TEL: 800-431-2082 FAX: 800-640-2252

Visit Our Web Site : [www.matco-norca.com](http://www.matco-norca.com)