

- BL-900C**       **BL-900BN**       **BL-900ORB**  
 **BL-900CJP**       **BL-900BNJP**       **BL-900ORBJP**

## **Two Handle Roman Tub Faucet**



# Product Spec Sheet

### **FEATURES & BENEFITS**

- Metal Lever Handles
- Ceramic Cartridges
- Min Flow Rate 4.0 GPM(15.1 LPM) at 60 PSI (ASME.A112.18.1)

#### **APPROVALS:**

Meets or Exceeds The Following:

- \* ANSI/ASME A112.18.1
- \* IAPMO/UPC

- BL-900C  
Chrome Finish
- BL-900BN  
Brushed Nickel Finish
- BL-900ORB  
Oil Rubbed Bronze Finish
- BL-900CJP  
Trim Kit For Roman Tub  
Chrome Finish
- BL-900BNJP  
Trim Kit For Roman Tub  
Brushed Nickel Finish
- BL-900ORBJP  
Trim Kit For Roman Tub  
Oil Rubbed Bronze Finish



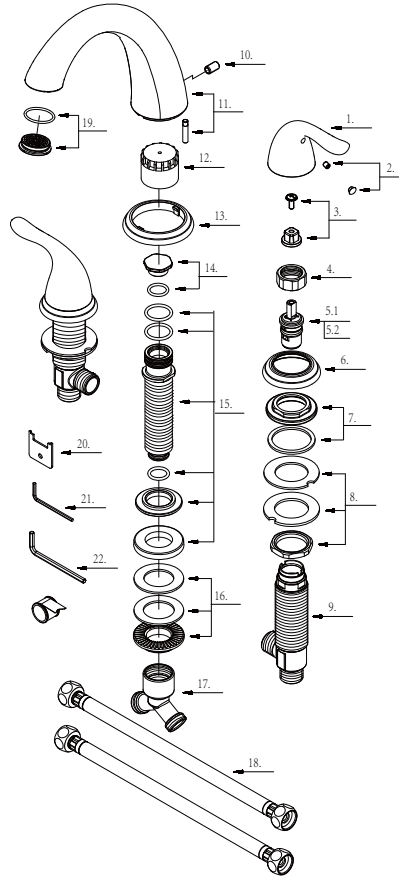
**CALIFORNIA:**  
**TEXAS:**  
**NEW YORK:**

**TEL: 866-532-8306**  
**TEL: 800-935-5456**  
**TEL: 800-431-2082**

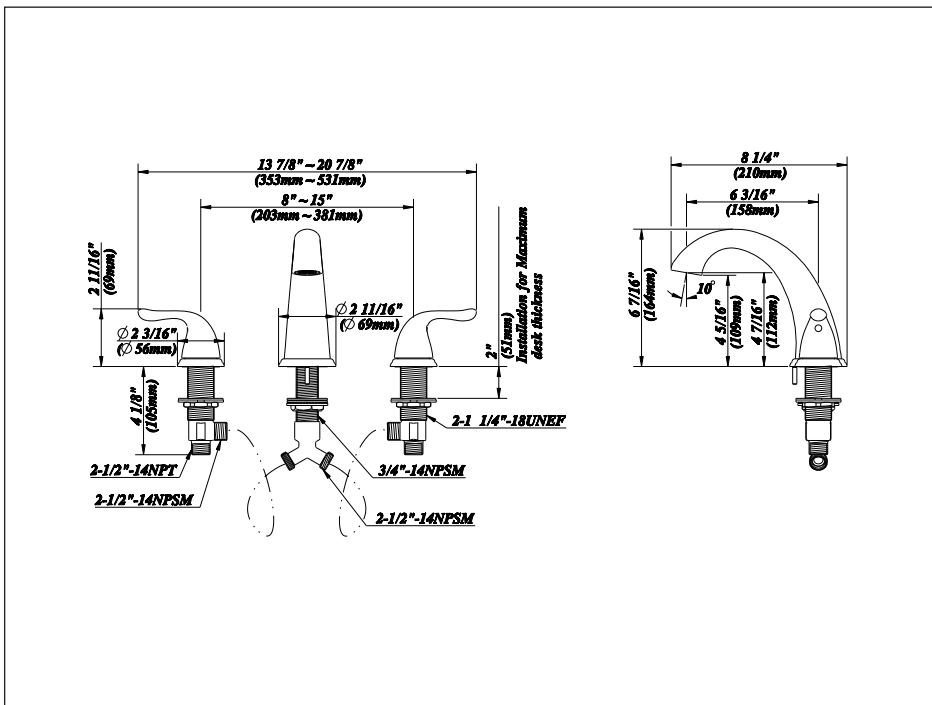
**FAX: 866-532-8307**  
**FAX: 800-683-4247**  
**FAX: 800-640-2252**

# Two Handle Roman Tub Faucet

No.	Name	Material
1	Metal Handle	Zinc Alloy
2.1	Index Button-Cold	Plastic
2.2	Index Button-Hot	Plastic
3	Handle Adaptor	Plastic
4	Retainer Nut	Brass
5.1	Ceramic Disc Cartridge-Cold	Ceramic & Brass
5.2	Ceramic Disc Cartridge-Hot	Ceramic & Brass
6	Handle Trim Ring	Zinc Alloy
7	Handle Base	Brass
8	Mounting Hardware	Brass
9	Handle Valve Body	Brass
10	Screw (5/16" -18 UNC * 1/2" L)	Stainless Steel
11	Spout Set	Brass
12	Spout Rough In Cap	Plastic
13	Spout Trim Ring	Zinc Alloy
14	Spout Plug	Brass
15	Spout Body	Brass
16	Mounting Hardware	Brass
17	"Y" Adaptor	Brass
18	Supply Hose	Stainless Steel
19	Flow Straightener	Plastic
20	Flow Straightener Wrench	Stainless Steel
21	Hex Wrench (H2.5 * 19 mm L * 53 mm L)	Stainless Steel
22	Hex Wrench (H4 * 20 mm L * 70 mm L)	Stainless Steel



**Product Spec Sheet**



**APPROVALS:**  
Meets or Exceeds The Following:

- \* ANSI/ASME A112.18.1
- \* IAPMO/UPC

**CALIFORNIA:** TEL: 866-532-8306 FAX: 866-532-8307  
**TEXAS:** TEL: 800-935-5456 FAX: 800-683-4247  
**NEW YORK:** TEL: 800-431-2082 FAX: 800-640-2252

Visit Our Web Site : [www.matco-norca.com](http://www.matco-norca.com)