

PO-200C **PO-200SS**
 PO-240C **PO-240SS**



8" Two Handle Kitchen Faucet

Product Spec Sheet



FEATURES & BENEFITS

- This Product Contains Less Than 0.25% Weighted Average Lead Content On Wetted Surfaces
- Metal Lever Handles
- Ceramic Cartridges
- With Side Spray
- Max Flow Rate 2.2 GPM(8.4 LPM) at 60 PSI (ASME.A112.18.1)

APPROVALS:

Meets or Exceeds The Following:

- * ANSI/ASME A112.18.1
- * ANSI/NSF 61 – Sec. 9
- * IAPMO/UPC
- * CA AB1953

PO-240C
Chrome Finish

PO-240SS
Stainless Steel Finish

PO-200C
Less Side Spray
Chrome Finish

PO-200SS
Less Side Spray
Stainless Steel Finish



CALIFORNIA:
TEXAS:
NEW YORK:

TEL: 866-532-8306
TEL: 800-935-5456
TEL: 800-431-2082

FAX: 866-532-8307
FAX: 800-683-4247
FAX: 800-640-2252

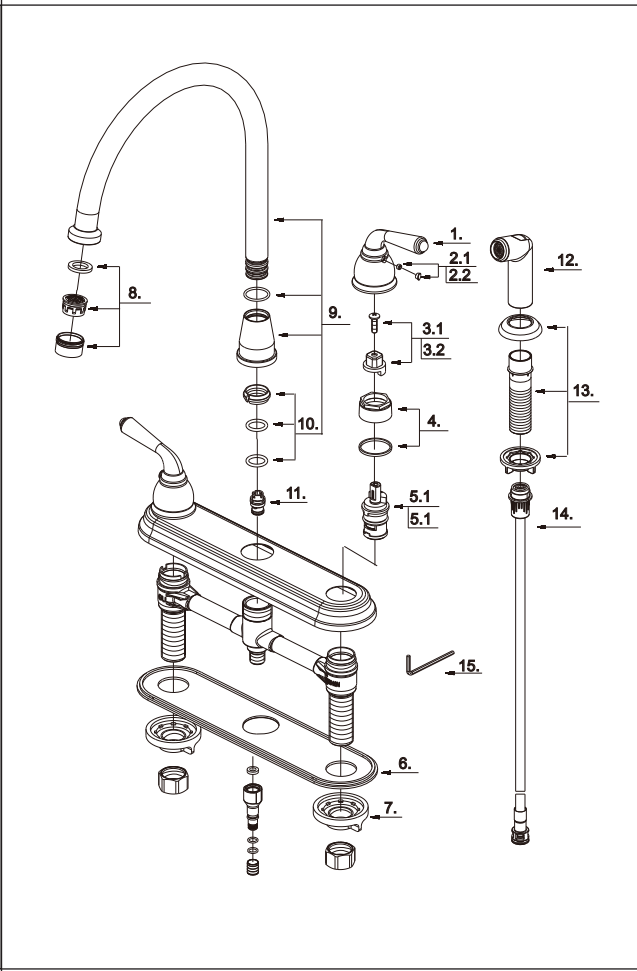
Visit Our Web Site : www.matco-norca.com

PO-200C **PO-200SS**
 PO-240C **PO-240SS**

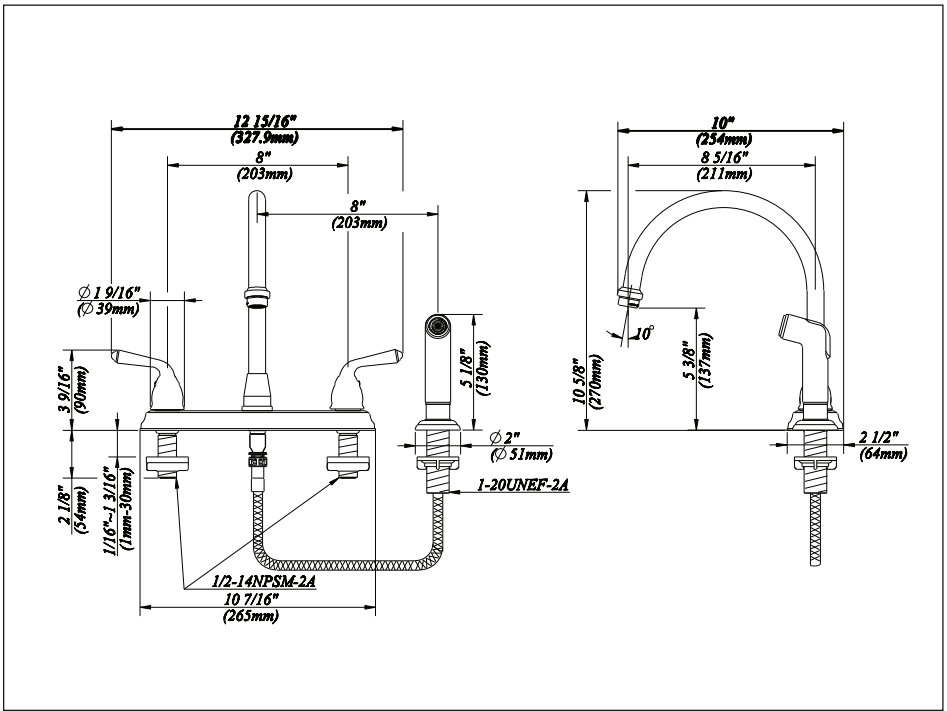


8" Two Handle Kitchen Faucet

No.	Name	Material
1	Metal Handle	Zinc Alloy
2.1	Index Button-Cold	Plastic
2.2	Index Button-Hot	Plastic
3.1	Handle Adaptor-Cold	Plastic
3.2	Handle Adaptor-Hot	Plastic
4	Retainer Nut & Washer	Plastic & Zinc Alloy
5.1	Ceramic Disc Cartridge -Cold	Ceramic & Brass
5.2	Ceramic Disc Cartridge -Hot	Ceramic & Brass
6	Putty Plate	Plastic
7	Lock Nut Set	Plastic
8	Aerator	Plastic & Brass
9	Spout Assembly	Brass
10	Spout Seal Kit	Plastic
11	Spray Diverter w/Vacuum Breaker	Plastic
12	Spray Head	Plastic
13	Spray Holder Assembly (2-1/2" L)	Plastic
14	Spray Hose	Plastic
15	Hex Wrench (H2.5 * 19 mm L * 53 mm L)	Stainless Steel



Product Spec Sheet



APPROVALS:
Meets or Exceeds The Following:

- * ANSI/ASME A112.18.1
- * ANSI/NSF 61 – Sec. 9
- * IAPMO/UPC
- * CA AB1953

CALIFORNIA: TEL: 866-532-8306 FAX: 866-532-8307
TEXAS: TEL: 800-935-5456 FAX: 800-683-4247
NEW YORK: TEL: 800-431-2082 FAX: 800-640-2252

Visit Our Web Site : www.matco-norca.com