

□ **CL-480C** □ **CL-480BN**



6" - 12" Two Handle Widespread Lavatory Faucet

Product Spec Sheet



FEATURES & BENEFITS

- This Product Contains Less Than 0.25% Weighted Average Lead Content On Wetted Surfaces
- Metal Wing Handles
- Washerless Cartridges
- Brass Pop-up
- Max Flow Rate 1.5 GPM(5.7 LPM) at 60 PSI (ASME.A112.18.1)

CL-480C
Chrome Finish

CL-480BN
Brushed Nickel Finish

APPROVALS:

Meets or Exceeds The Following:

- * ANSI/ASME A112.18.1
- * ANSI/NSF 61 – Sec. 9
- * IAPMO/UPC
- * CA AB1953



CALIFORNIA:
TEXAS:
NEW YORK:

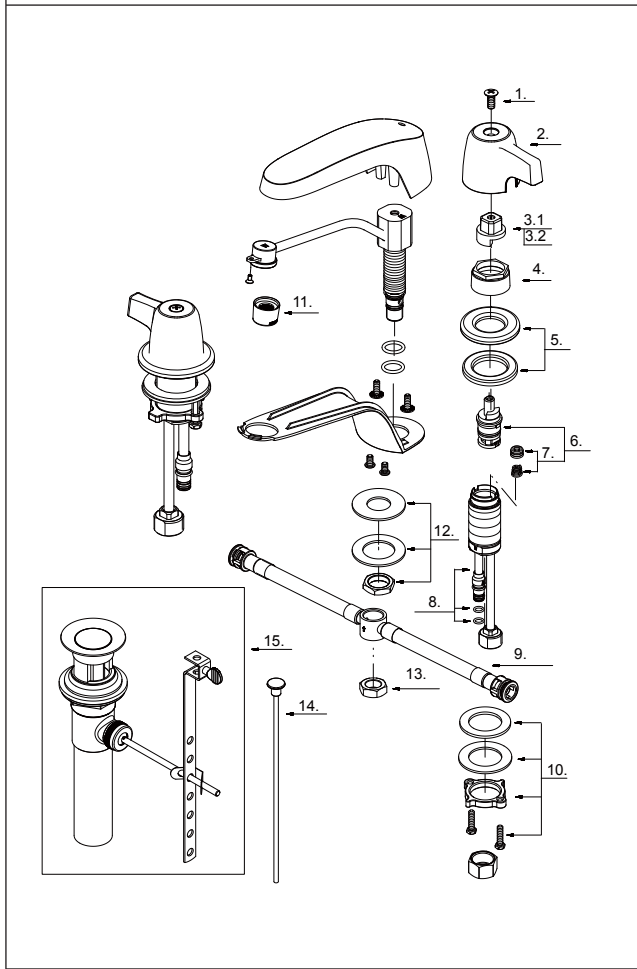
TEL: 866-532-8306
TEL: 800-935-5456
TEL: 800-431-2082

FAX: 866-532-8307
FAX: 800-683-4247
FAX: 800-640-2252

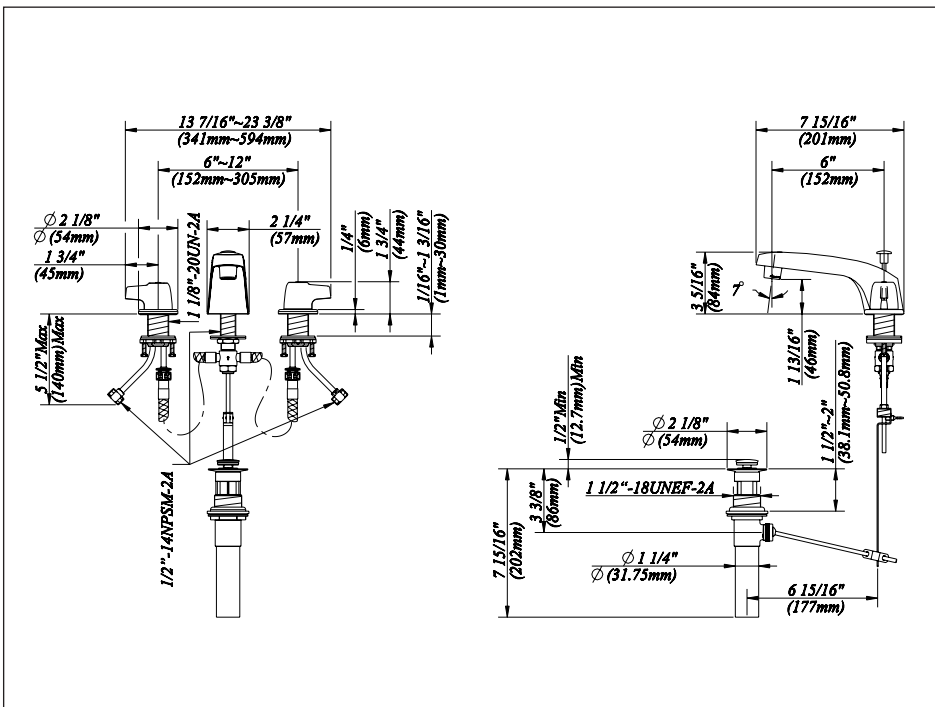
Visit Our Web Site : www.matco-norca.com

6" - 12" Two Handle Widespread Lavatory Faucet

No.	Name	Material
1	Screw (3/16" -24 * 7/16" L)	Brass
2	Metal Handle	Zinc Alloy
3.1	Handle Adaptor-Cold	Plastic
3.2	Handle Adaptor-Hot	Plastic
4	Retainer Nut	Zinc Alloy
5	Handle Trim Ring	Brass
6	Washerless Cartridge Assembly	Stainless Steel & Plastic
7	Seat & Spring Set	Stainless Steel & Plastic
8	Handle Valve Body	Brass
9	Supply Hose	Plastic
10	Mounting Hardware Assembly	Stainless Steel
11	Aerator	Plastic & Brass
12	Nut & Seal	Brass & Plastic
13	Nut	Brass
14	Lift-Rod	Brass
15	Pop-up Assembly	Brass



Product Spec Sheet



APPROVALS:
Meets or Exceeds The Following:

- * ANSI/ASME A112.18.1
- * ANSI/NSF 61 – Sec. 9
- * IAPMO/UPC
- * CA AB1953

CALIFORNIA: TEL: 866-532-8306 FAX: 866-532-8307
TEXAS: TEL: 800-935-5456 FAX: 800-683-4247
NEW YORK: TEL: 800-431-2082 FAX: 800-640-2252