

# Product Spec Sheet

## **Two Handle Tub & Shower Faucet**



### **FEATURES & BENEFITS**

- Acrylic Round Handle
- Non Pressure Balanced
- Diverter Spout
- Max Flow Rate 2.5 GPM(9.5 LPM) at 80 PSI (ASME.A112.18.1)

VE-832C  
Tub & Shower Faucet  
Chrome Finish

VE-822C  
Less Spout  
Chrome Finish

VE-812C  
Less Shower  
Chrome Finish

#### **APPROVALS:**

**Meets or Exceeds The Following:**

- \* ANSI/ASME A112.18.1
- \* IAPMO/UPC



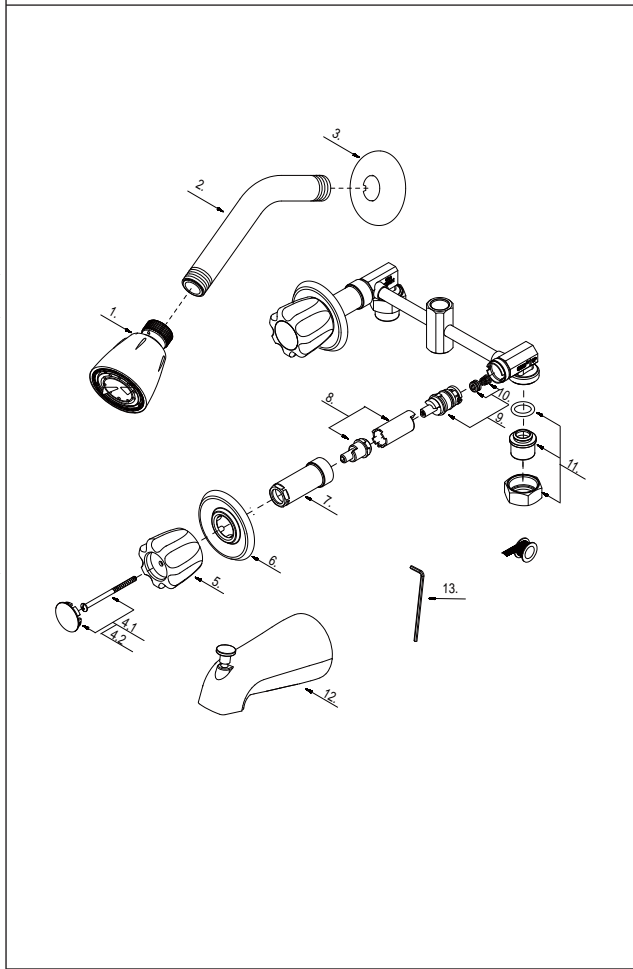
**CALIFORNIA:**  
**TEXAS:**  
**NEW YORK:**

**TEL: 866-532-8306**  
**TEL: 800-935-5456**  
**TEL: 800-431-2082**

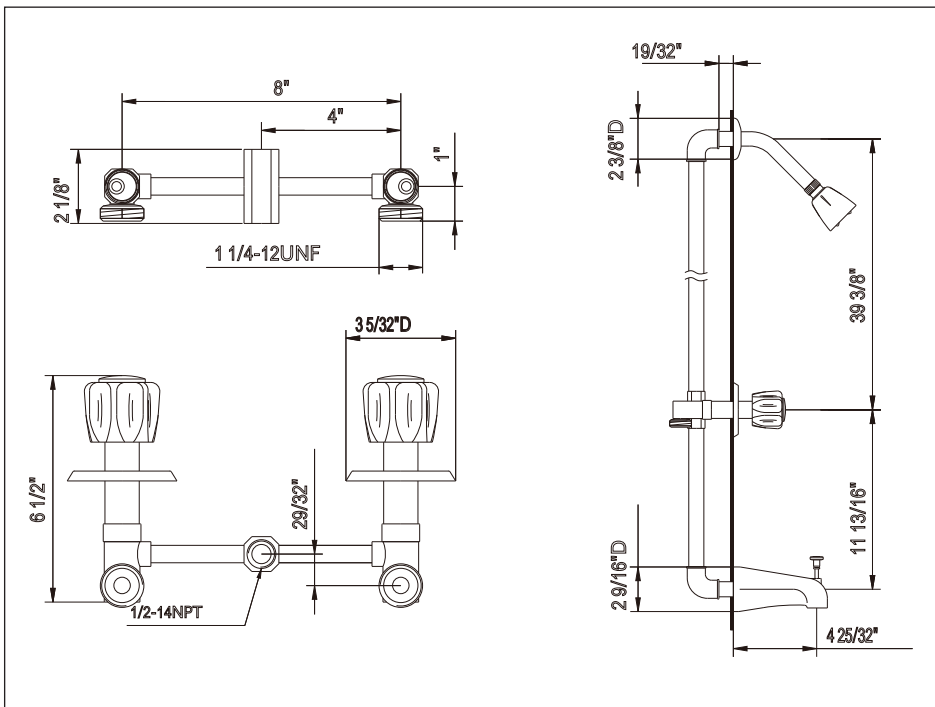
**FAX: 866-532-8307**  
**FAX: 800-683-4247**  
**FAX: 800-640-2252**

# Two Handle Tub & Shower Faucet

No.	Name	Material
1	Shower Head	Plastic
2	Shower Arm	Brass
3	Shower Arm Flange	Brass
4.1	Index Button - Cold	Plastic & Stainless Steel
4.2	Index Button - Hot	Plastic & Stainless Steel
5	Acrylic Handle	Acrylic
6	Escutcheon	Stainless Steel
7	Sleeve	Brass
8	Stem Extension-Hot	Plastic
9	Cartridge Assembly	Plastic & Brass
10	Seat & Spring Set	Plastic & Stainless Steel
11	Union Nut	Brass
12	Spout W/Diverter (Slip Fit)	Zinc Alloy
13	Hex Wrench (H3.18 *20 mm L * 90 mm L)	Stainless Steel



**Product Spec Sheet**



**Approval s:**  
Meets or Exceeds The Following:

- \* ANSI/ASME A112.18.1
- \* IAPMO/UPC

**CALIFORNIA:** TEL: 866-532-8306 FAX: 866-532-8307  
**TEXAS:** TEL: 800-935-5456 FAX: 800-683-4247  
**NEW YORK:** TEL: 800-431-2082 FAX: 800-640-2252

Visit Our Web Site : [www.matco-norca.com](http://www.matco-norca.com)