

□ **CL-482C** □ **CL-482BN****6" - 12" Two Handle Widespread Lavatory Faucet****Product Spec Sheet****FEATURES & BENEFITS**

- This Product Contains Less Than 0.25% Weighted Average Lead Content On Wetted Surfaces
- Acrylic Round Handles
- Washerless Cartridges
- Brass Pop-up
- Max Flow Rate 1.5 GPM(5.7 LPM) at 60 PSI (ASME.A112.18.1)

CL-482C
Chrome FinishCL-482BN
Brushed Nickel Finish**Approvals:**
Meets or Exceeds The Following:

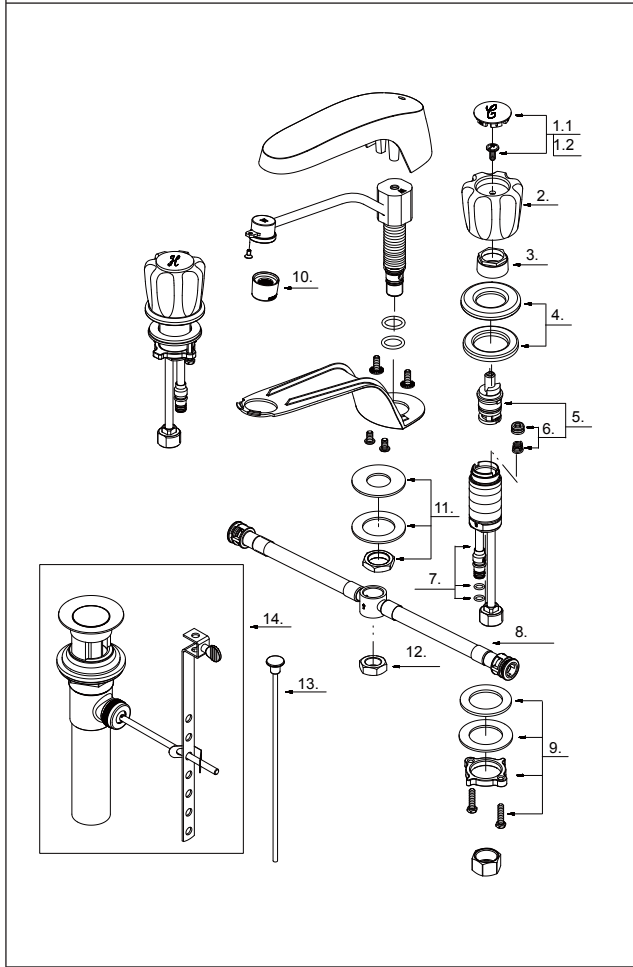
- * ANSI/ASME A112.18.1
- * ANSI/NSF 61 – Sec. 9
- * IAPMO/UPC
- * CA AB1953

**CALIFORNIA:**
TEXAS:
NEW YORK:**TEL: 866-532-8306**
TEL: 800-935-5456
TEL: 800-431-2082**FAX: 866-532-8307**
FAX: 800-683-4247
FAX: 800-640-2252

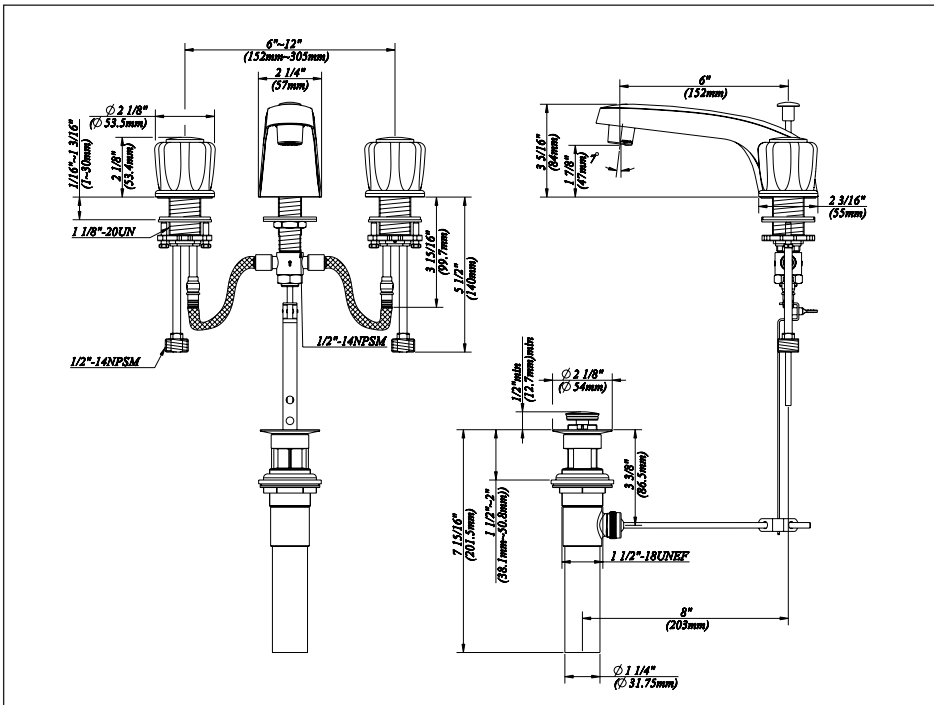
6" - 12" Two Handle Widespread Lavatory Faucet

No. Name Material

- 1.1 Index Button-Cold Plastic
- 1.2 Index Button-Hot Plastic
- 2 Acrylic Handle Acrylic
- 3 Retainer Nut Zinc Alloy
- 4 Handle Trim Ring Brass
- 5 Washerless Cartridge Assembly Stainless Steel & Plastic
- 6 Seat & Spring Set Stainless Steel & Plastic
- 7 Handle Valve Body Brass
- 8 Supply Hose Plastic
- 9 Mounting Hardware Assembly Stainless Steel
- 10 Aerator Plastic & Brass
- 11 Nut & Seal Brass & Plastic
- 12 Nut Brass
- 13 Lift-Rod Brass
- 14 Pop-up Assembly Brass



Product Spec Sheet



APPROVALS:
Meets or Exceeds The Following:

- * ANSI/ASME A112.18.1
- * ANSI/NSF 61 – Sec. 9
- * IAPMO/UPC
- * CA AB1953

CALIFORNIA: TEL: 866-532-8306 FAX: 866-532-8307
TEXAS: TEL: 800-935-5456 FAX: 800-683-4247
NEW YORK: TEL: 800-431-2082 FAX: 800-640-2252