

Home Care Technical Specification

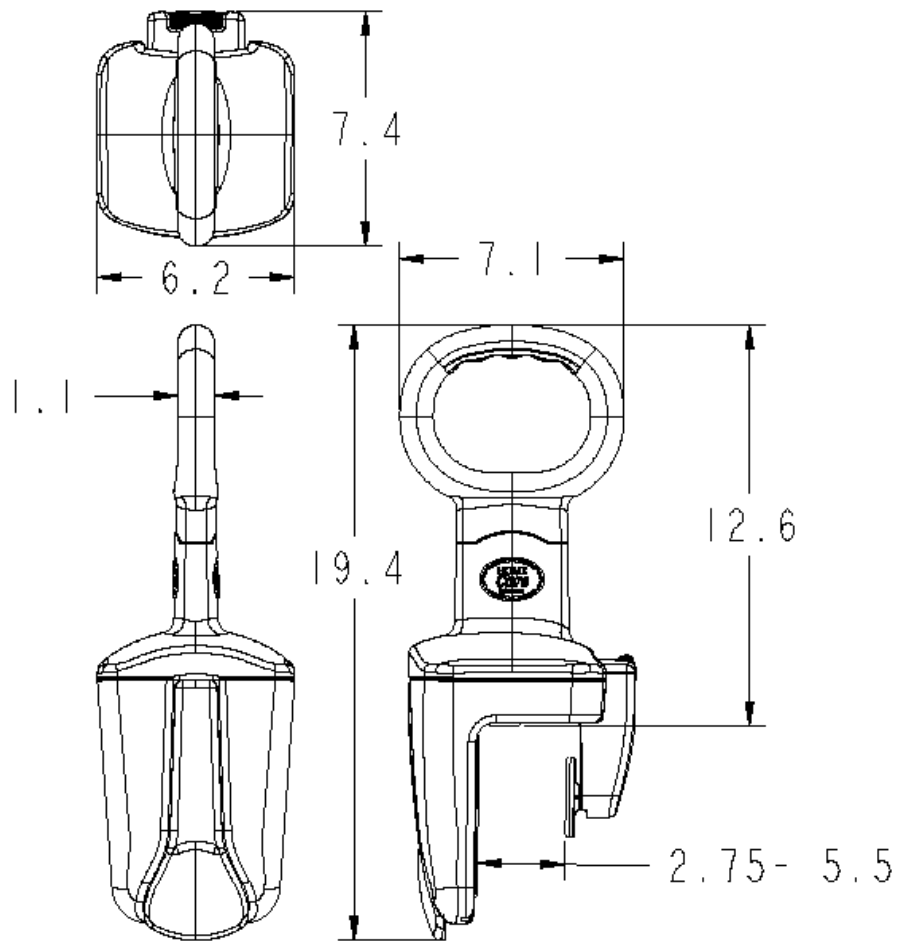
SecureLock™ Tub Grip

DN7175

Stock Numbers:

q DN7175 – SecureLock™ Tub Grip

Dimensions:



Materials:

SecureLock™ Tub Grip is made from Polypropylene. Tub pads are thermoplastic rubber (TPR).

Stock Number: _____ SecureLock™ Tub Grip By Creative Specialties



25300 AL MOEN DRIVE • NORTH OLMSTED, OH 44070
CORPORATE HEADQUARTERS: (800) 321-8809 • FAX: (800) 848-6636
INTERNATIONAL: (440) 962-2000 • FAX: (440) 962-2726
CUSTOMER SERVICE (USA): 800-882-0116 • FAX: (888) 379-2720
WWW.CSI.MOEN.COM

©Copyright Creative Specialties International

Literature #BA1447