



Buy it for looks. Buy it for life.®

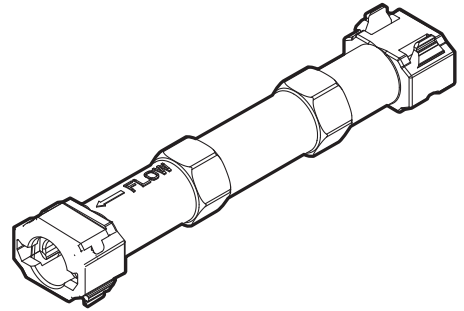
Specifications

DESCRIPTION

- Hydrolock® connector with pressure compensating flow restricting check valve

WARRANTY

- Warranted for 5 years against material or manufacturing defects when used in commercial applications
- Refer to installation instructions enclosed with each Moen product or call 1-800-BUY-MOEN for installation instructions and complete warranty information.



Hydrolock® Connectors

Models: 616715
1.5 gpm (5.6 L/min)

616717
1.75 gpm (6.6 L/min)

