

Home Care Technical Specification

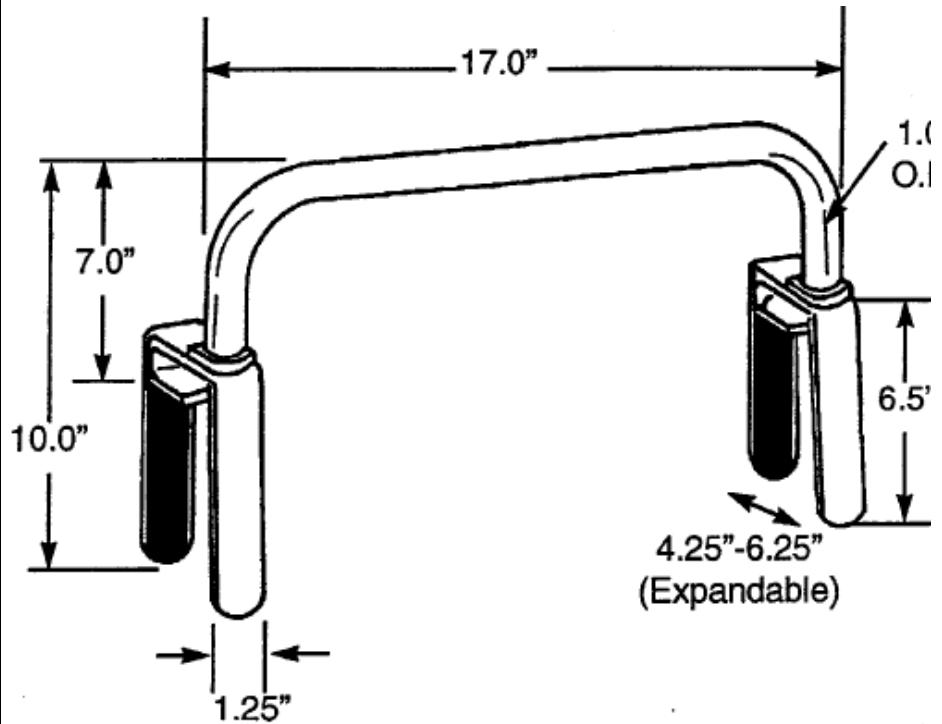
Low Grip Tub Safety Bar

DN7010

Stock Numbers:

- q **DN7010 – Low Grip Tub Safety Bar**
White
Photo Box Packaging with Handle

Dimensions:



Materials:

ASSEMBLY TESTED
TO CONFIRM ADA
COMPLIANCE



Low Grip Tub Safety Bar is made from anodized aluminum with a powder coat white finish.

WARNING

This product has a maximum user weight of 250lbs. Contact CSI Customer Service immediately at 1-800-882-0116 if any components are damaged or missing. Making substitutions or modifying this product in any way will void your warranty. CSI assumes no liability for any damage or injury caused by improper assembly, installation or use of this product.

Installation Instructions:

1. Loosen A and B bolts to allow bar and clamps to be adjusted to your tub.
2. Position the clamps to fit snugly against the sides and top rim of the tub and then adjust B bolt. Do not tighten yet.
3. Use the wrench provided to tighten A bolts so that the clamps are angled correctly for your tub.
4. Tighten B bolts firmly so that the clamp pads make secure, continuous contact with both sides of the tub walls. Retighten A and B bolts as necessary.

Stock Number: _____ **Low Grip Tub Safety Bar**
By CSI Bath Furnishings



25300 AL MOEN DRIVE • NORTH OLMSTED, OH 44070 (800) 321-8809 •
FAX: (800) 848-6636 • INTERNATIONAL: (440) 962-2000 •
FAX: (440) 962-2726 CUSTOMER SERVICE (USA): 800-882-0116
©Copyright CSI Bath Furnishing Division of Moen 02/22/01