

# Method™ Technical Specification

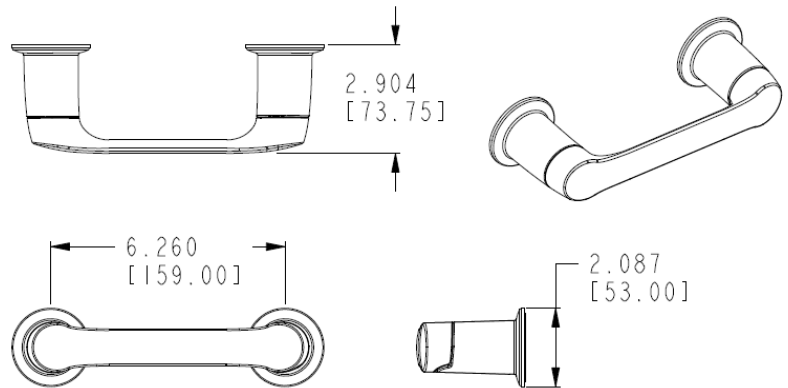
## Paper Holder

# YB2408

### Stock Numbers:

- q **YB2408BN – Pivoting Paper Holder**  
Brushed Nickel Finish
- q **YB2408CH – Pivoting Paper Holder**  
Chrome Finish

### Dimensions:



### Materials:

Paper Holder is constructed of zinc.

### Installation Instructions:

This product features the Pro+Fit Installation Mounting System. If you do not have the Pro+Fit Installation Template please use the following instructions. (Note: only one hole is required per mounting post.)

1. Find the appropriate center to center measurement for the product you are installing.
2. Mark that distance on the wall where you want to install the product.
3. Use a level to ensure that the pilot holes will be perfectly level.
4. Using ¼" drill bit, drill one pilot hole for each post, 6 ¼" apart.
5. Position mounting post to wall by inserting wall anchor into pilot hole and pressing firmly (Make sure that locking tab on mounting post is facing down).
6. Tighten wall anchor screw while holding mounting post firmly in place. DO NOT over tighten.
7. Using tip of screw bit press wall spikes (metal pieces on outer edge of mounting post) into drywall.
8. Paper holder must be attached to mounting posts as a unit - insert paper holder into each post.
9. Attach posts by pressing firmly to mounting posts until it clicks. (The square opening at the base of the post must be facing down to match-up with locking tab.)

If you are mounting any parts into a hard surface pull out the anti-rotation fins on the

### Cleaning Instructions:

To preserve the fine finish of this product, clean only with a soft damp cloth. Dry well. Do not use commercial or abrasive cleaners.

**Stock Number:** \_\_\_\_\_ **Paper Holder**  
**By Creative Specialties**



25300 AL MOEN DRIVE • NORTH OLMS TED, OH 44070  
CORPORATE HEADQUARTERS: (800) 321-8809 • FAX: (800) 848-6636  
INTERNATIONAL: (440) 962-2000 • FAX: (440) 962-2726  
CUSTOMER SERVICE (USA): 800-882-0116 • FAX: (888) 379-2720  
WWW.CSI.MOEN.COM

©Copyright Creative Specialties International 2006

Literature #BA1508