



Buy it for looks. Buy it for life.®

Specifications

FAUCET DESCRIPTION

- Metal construction with chrome plated, antique nickel, oil rubbed bronze, wrought iron, Lifeshine® brushed nickel, Lifeshine® brushed bronze, pewter or antique bronze finish

OPERATION

- Temperature lever operates through a 340° arc with maximum cold at full clockwise rotation and maximum hot at full counter clockwise rotation
- Factory established temperature range from 70°F (21°C) to 120°F (49°C)
- Safety stop preset at 105°F (41°C)
- Safety stop over-ride allows maximum 120°F (49°C)

CARTRIDGE

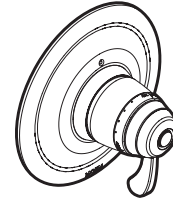
- 130156 thermostatic cartridge design with nonmetallic/nonferrous

STANDARDS

- Third party certified to meet ASME A112.18.1/CSA B-125.1 and all applicable requirements referenced therein including ASSE 1016

WARRANTY

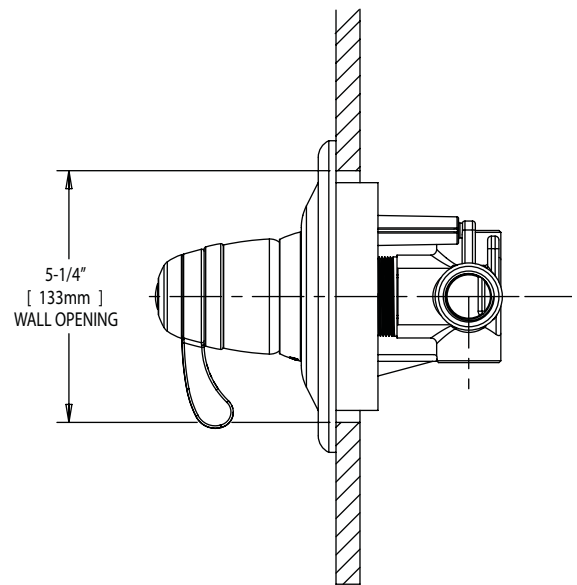
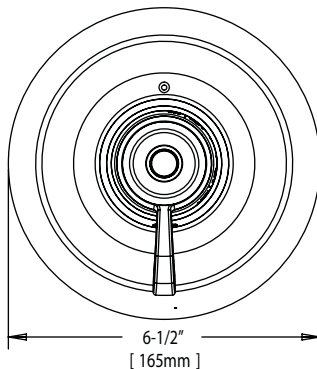
- Lifetime limited warranty against leaks, drips and finish defects to the original consumer purchaser
- 5 year warranty if used in commercial installations



ExactTemp® 3/4" Thermostatic Shower (Trim Only)

Models: TL3410, TL3410ORB,
TL3410AN, TL3410BN, TL3410PW,
TL3410BB, TL3410WR, TL3410AZ

Valve: 3371
(Sold separately)



CRITICAL DIMENSIONS

(DO NOT SCALE)