



Buy it for looks. Buy it for life.®

Specifications


DESCRIPTION

- Metal construction with various finishes identified by suffix
- Includes hot (red) and cold (blue) temperature indicators

OPERATION

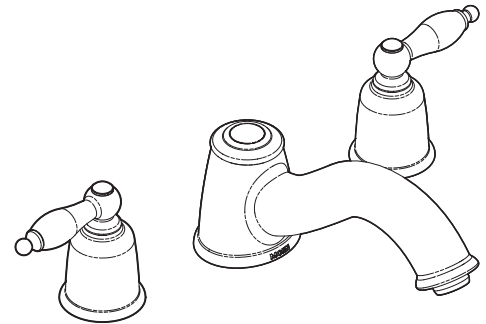
- Lever style handles
- Rotate hot side handle counterclockwise to open (clockwise to close) and the cold side handle (clockwise to open) and (counterclockwise to close)

STANDARDS

- Third party certified to CSA B-125, ASME A112.18.1M, and all applicable requirements referenced therein
- **ADA**  for lever handles

WARRANTY

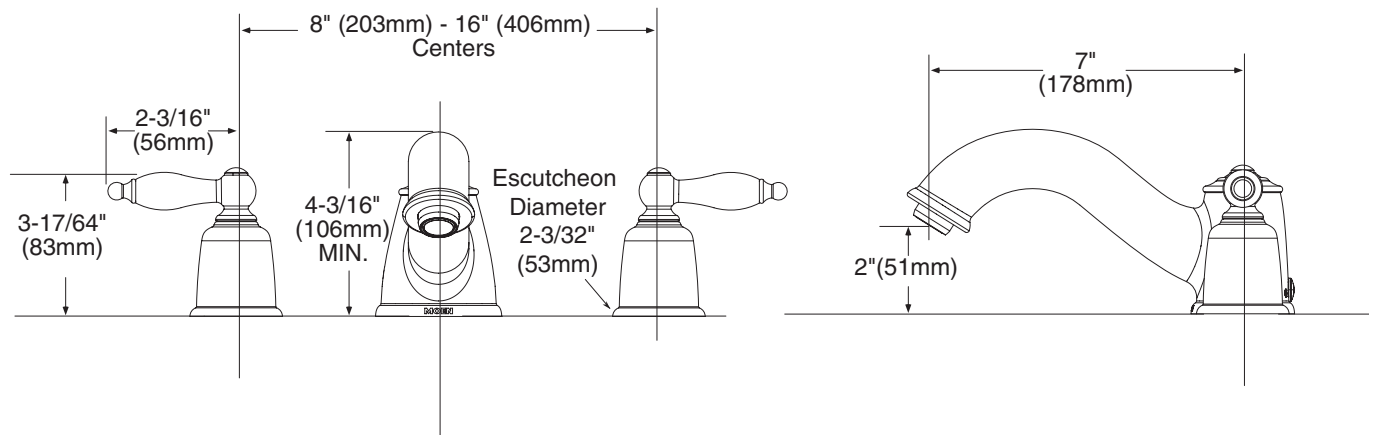
- Lifetime limited warranty against leaks, drips and finish defects to the original consumer purchaser
- 5 year warranty if used in commercial installations



CASTLEBY®
Two-Handle Roman Tub Faucet

Models: T6985 series

Valves: 4992, 4993, 4996, 4997, 4999,
64997, 64999



CRITICAL DIMENSIONS

(DO NOT SCALE)