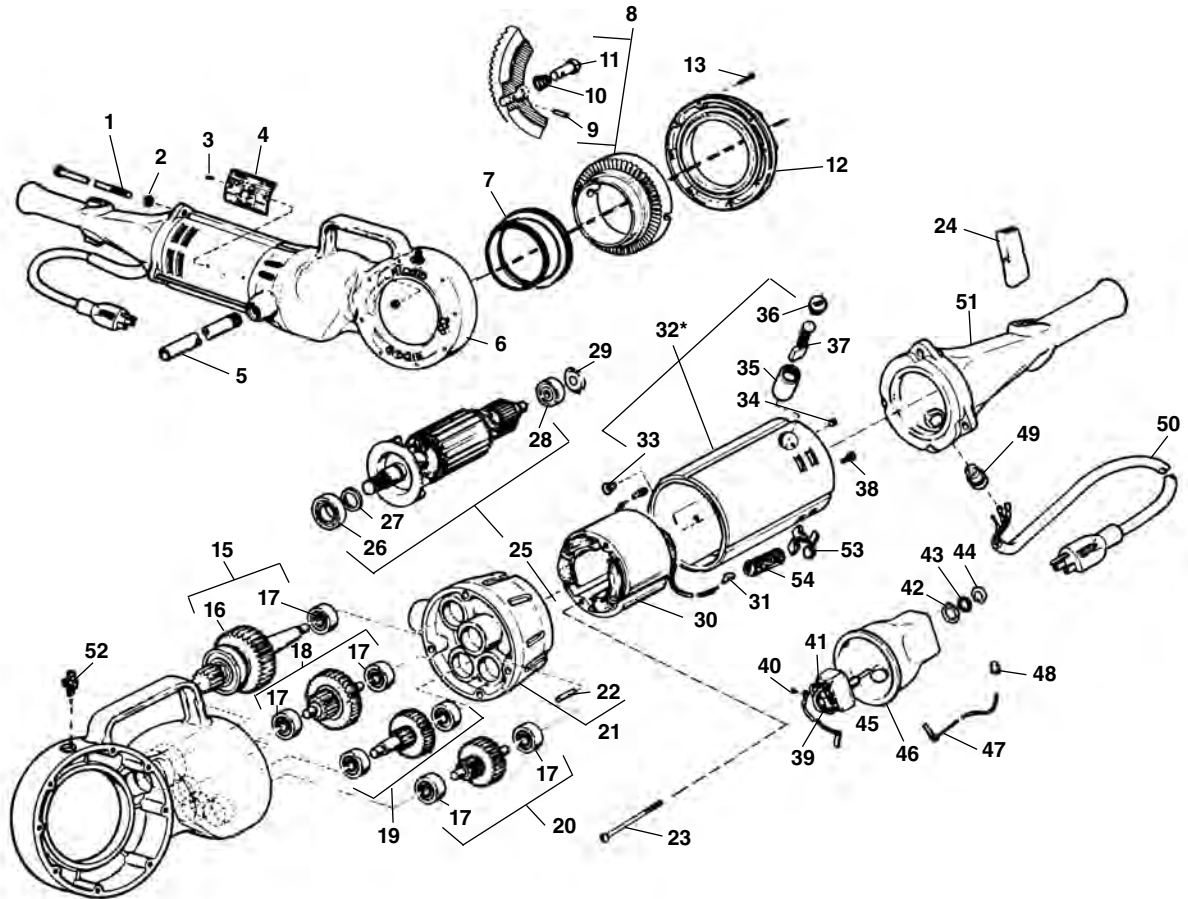


Type 1

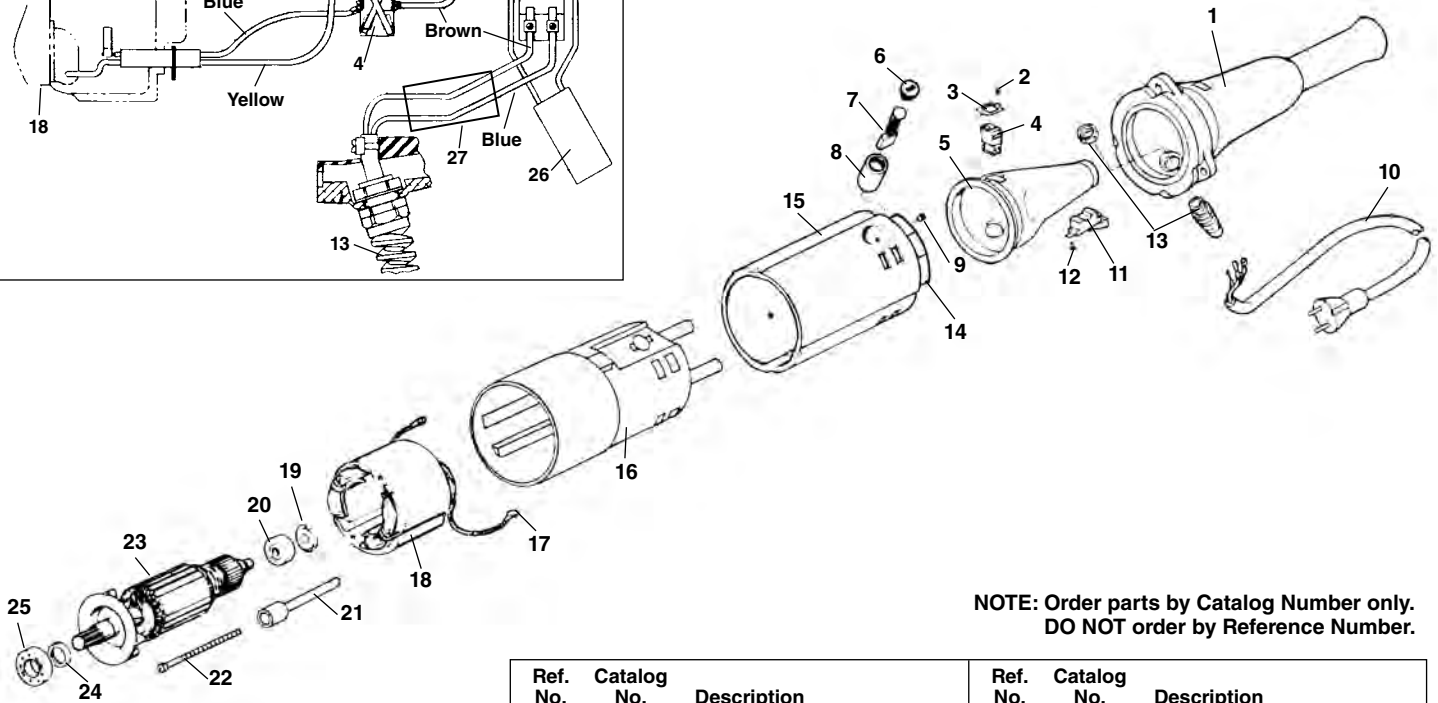
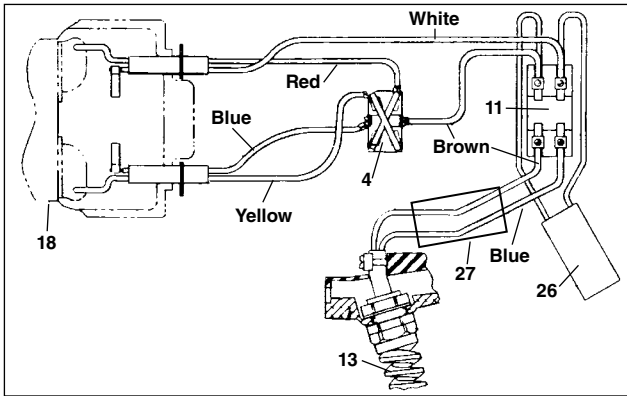


**NOTE: Order parts by Catalog Number only.
DO NOT order by Reference Number.**

Ref. No.	Catalog No.	Description	Ref. No.	Catalog No.	Description
1	44785	Tie Bolt (4)	28	44760	Bearing
2	40770	Lock Washer (4)	29	44790	Load Spring
3	85920	Pop Rivet (2)	30	44070	Field (115V) (Incl. Ref. No. 31)
4		Name Plate (115V) Name Plate (230V)		28922	Field (230V) (Incl. Ref. No. 31)
5	46615	Torque Arm	31	83895	Ring Tongue Terminal (2)
6	42970	Gear Case Assembly (Includes Ref. 7, 13, 14, 52)	32*		Motor Housing Assembly
7	44060	Bearing	33	44765	Lock Screw
8	43395	Face Gear Assembly	34	39770	Set Screw (2)
9	32475	Spring Pin (2)	35	44795	Brush Holder (2)
10	44915	Spring (2)	36	45660	Brush Cap (2)
11	44910	Adapter Pawl (2)	37	44815	Brush Assembly (2)
12	43345	Cover	38	45420	Ground Screw
13	46775	Screw (8)	39	44905	Switch
14	83890	Lock Nut (8)	40	46310	Screw (5)
15	44900	4th Gear Assembly	41	44890	Jumper (2)
16	76562	Bearing	42	75700	Lock Ring
17	45060	Bearing (7)	43	75695	Lock Washer (Internal Tooth)
18	44830	3rd Gear Assembly	44	46590	Lock Nut
19	44820	1st Gear Assembly	45	44880	Brush Lead (Blue)
20	44825	2nd Gear Assembly	46	43390	Switch Insulator
21	43335	Fan Housing Assembly	47	44885	Brush Lead (White)
22	45165	Dowel Pin	48	44635	Wire Nut
23	44555	Field Mtg. Screw (2)	49	46730	Cord Retainer
24	97260	Switch Button	50	89155	Service Cord (115V)
25	44055	Armature & Fan Assy. (115V)		44045	Service Cord (230V)
	44075	Armature & Fan Assy. (230V)	51	97255	Handle
26	44565	Bearing	52	46860	Grease Fitting
27	44430	Retaining Ring	53	41270	"X" Washer
			54	44755	Insulator Tube
			55	41620	Grease

Note: *Replace Type 1 Motor Housing with Type 2 components: 18676 Motor Housing, 27418 Warning Decal, 18486 Field Screws, 58542 Lock Washers, 18566 Sleeve, and Type 2 Field (27408 - 115V or 27413 - 230V). Does not include 44815 Motor Brushes.

No. 700 Power Drive-w/Dual Switch (Europe Only) – Type 1



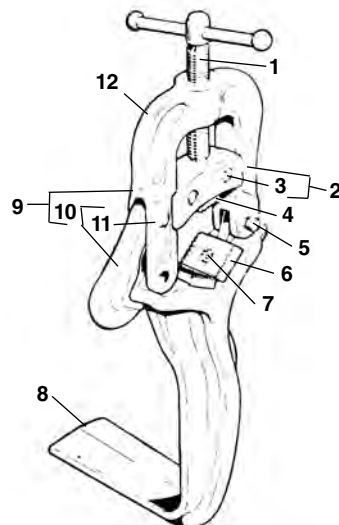
NOTE: Order parts by Catalog Number only. DO NOT order by Reference Number.

Service Note:

For service parts used in early style machines, refer to the model 700 with a single control switch.

Ref. No.	Catalog No.	Description	Ref. No.	Catalog No.	Description
1	32116	Handle	15	18676	Motor Housing
2	32176	Screw	16	18506	Sleeve f/Field
3	32166	Clip	17	12456	Terminal (2)
4	32126	Reversing Switch	18	18606	Field
5	32106	Switch Liner	19	44790	Load Spring
6	30906	Brush Cap	20	44760	Bearing
7	44815	Brush Assembly	21	18566	Sleeve f/Screw
8	30916	Brush Holder	22	18486	Field Mounting Screw (2)
9	39770	Set Screw (2)	23	18596	Armature and Fan Assembly (Eur. Di.)
10	18666	Line Cord (Eur. Di.)	24	44430	Retaining Ring
11	32136	ON/OFF Switch	25	44565	Bearing
12	32156	Screw	26	18406	Suppressor
13	32246	Strain Relief w/Cable Sleeve	27	63377	Ferrite Bead
14	32096	Insulating Cap			

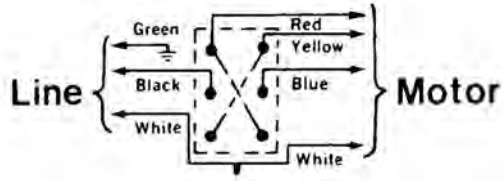
No. 775 Support Arm



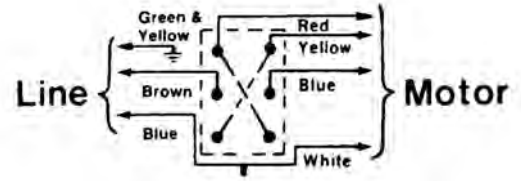
Ref. No.	Catalog No.	Description
1	40355	Feed Screw
2	40360	Jaw Clamp (Incl. Ref. No. 3)
3	40345	Screw and Washer (2)
4	40335	Upper Jaw
5	40325	Hinge Bolt, Washer and Nut
6	32100	Lower Jaws (1 set) (2 per set)
7	32205	Lower Jaw Screw (2)
8	42945	Base
9	40310	Yoke and Hook Assembly (Incl. Ref. No. 10)
10	40320	Hook (Incl. Ref. No. 11)
11	40340	Hinge Pin
12	40315	Yoke Assembly Complete (Incl. Ref. Nos. 1, 2, 4, 5 & 9)

Wiring Diagram (115/230V)

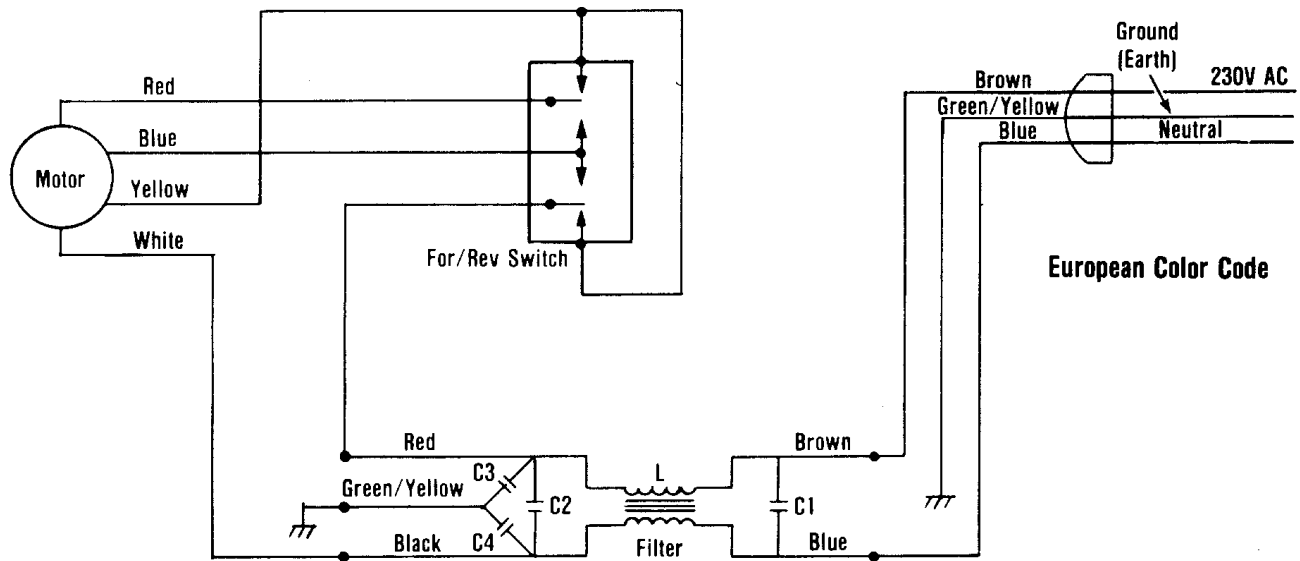
Standard Color Code



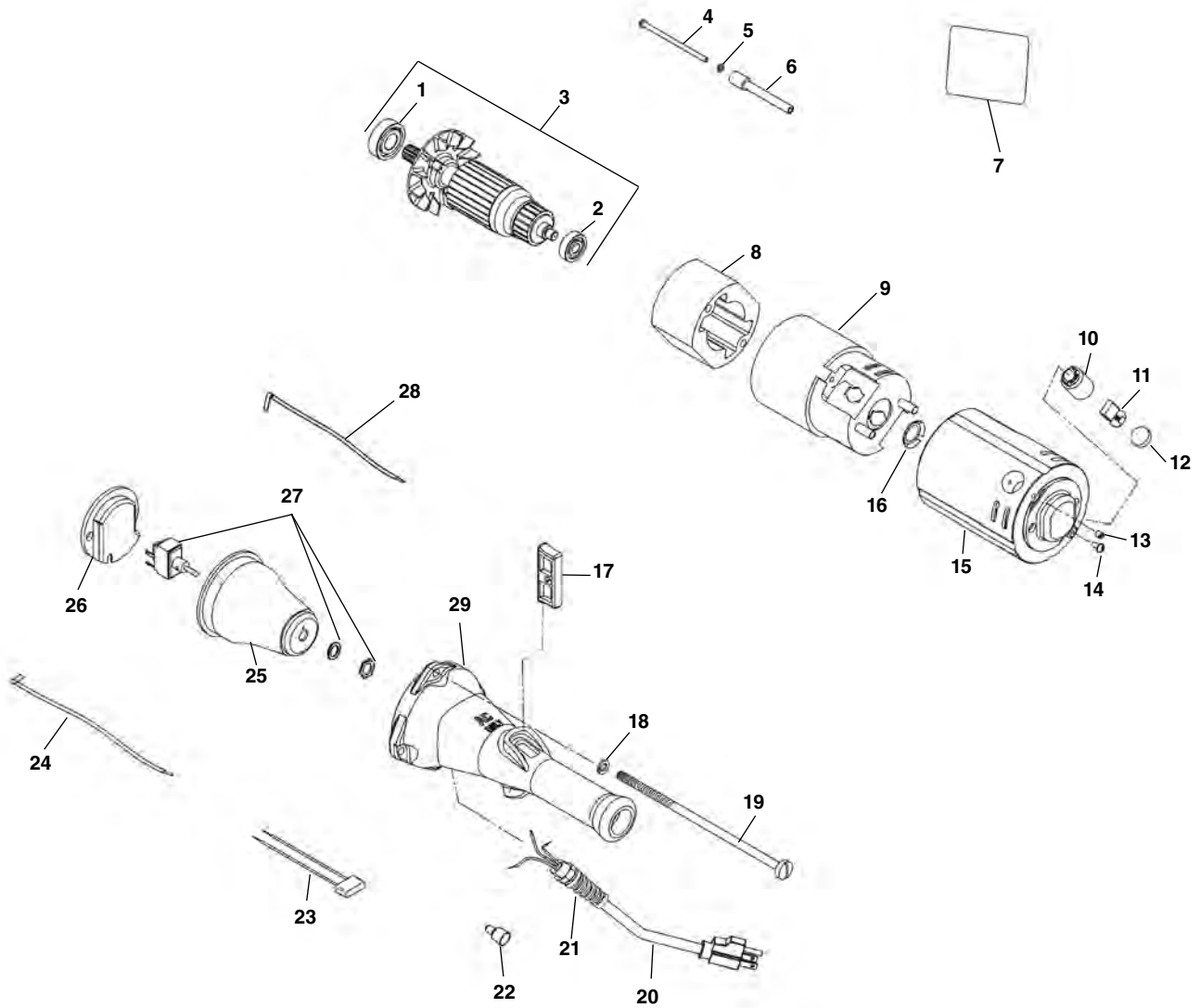
European Color Code



Wiring Schematic (230V) - with Line Filter



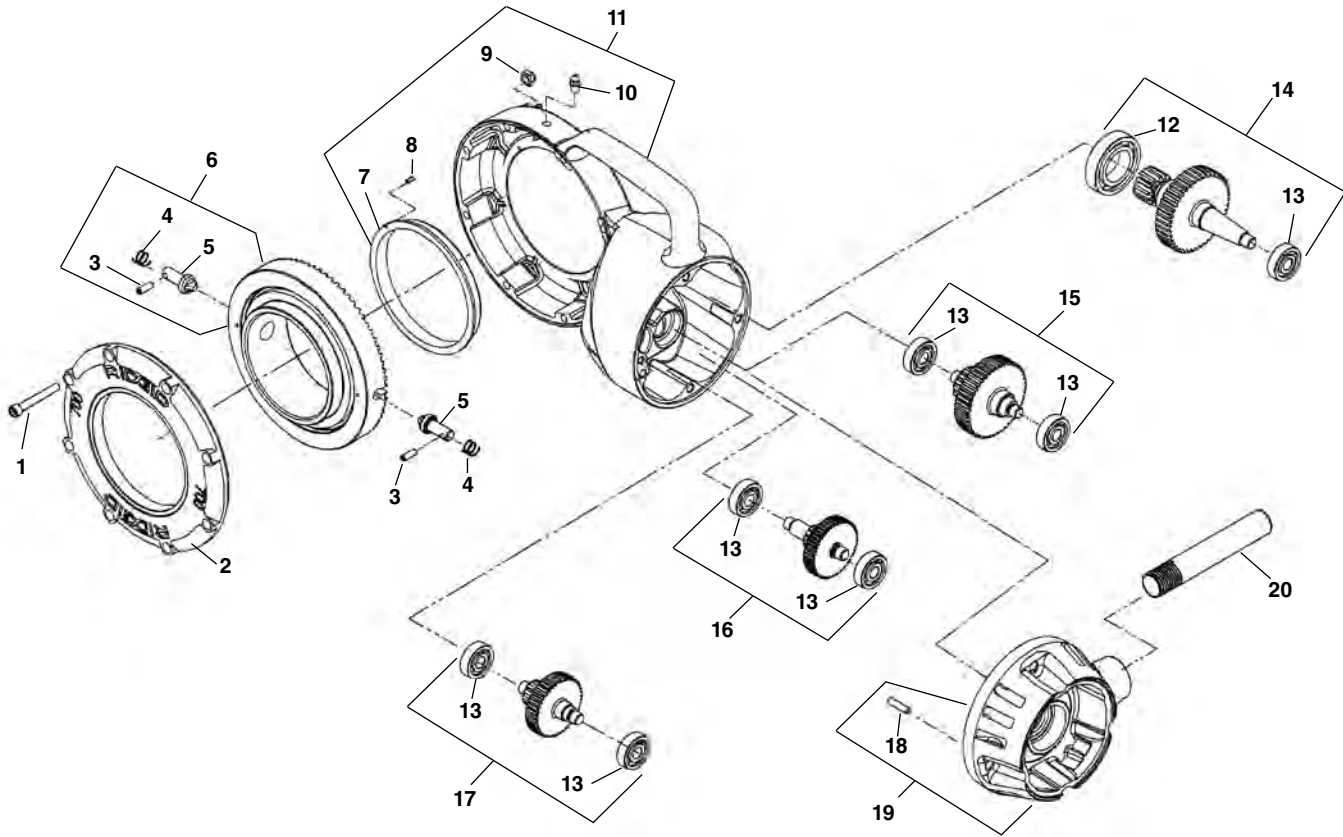
Electrical Components – Type 2



**NOTE: Order parts by Catalog Number only.
DO NOT order by Reference Number.**

Ref. No.	Catalog No.	Description	Ref. No.	Catalog No.	Description	
1	44565	Bearing	18	40770	Lock Washer (4)	
2	44760	Bearing	19	44785	Tie Bolt (4)	
3	44055	Armature Assembly 115V	20	31938	Power Cord 115V w/Molded Strain Relief	
	18596	Armature Assembly 230V		31943	Power Cord 230V w/Molded Strain Relief	
4	18486	Field Mounting Screw (2)		18666	Power Cord 230V (Europe Export)	
5	58542	Lock Washer (2)		45022	Power Cord 115V (U.K. Export)	
6	18566	Field Screw Sleeve (2)		15692	Power Cord 230V (Australia Export)	
7	27418	Warning Decal		21	29788	Strain Relief (Export Models)
8	27408	Field 115V Type 2		22	44635	Wire Nut
	27413	Field 230V Type 2		23	18406	Suppressor (230V Europe)
9	18506	Field Insulator Sleeve		24	44880	Brush Lead - Blue
10	44795	Brush Holder (2)		25	43390	Switch Insulator
11	44815	Brush Assembly (2)		26	27403	Motor Housing Insulator
12	45660	Brush Cap (2)		27	44905	Switch
13	39770	Set Screw (2)		28	44885	Brush Lead - White
14	45420	Ground Screw		29	27398	Handle Type 2
15	18676	Motor Housing Assy. (Includes Ref. Nos. 9, 10, 12 and 13)				
16	44790	Load Spring				
17	97260	Switch Button				

Gearhead Components

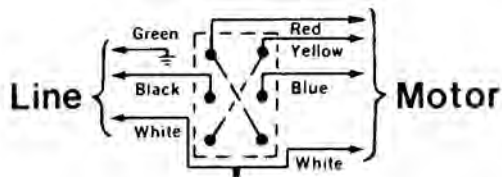


**NOTE: Order parts by Catalog Number only.
DO NOT order by Reference Number.**

Ref. No.	Catalog No.	Description	Ref. No.	Catalog No.	Description
1	46775	Screw (8)	12	76562	Bearing
2	43345	Cover	13	45060	Bearing (7)
3	32475	Spring Pin (2)	14	44900	4th Gear Assembly
4	44915	Spring (2)	15	44830	3rd Gear Assembly
5	44910	Adapter Pawl (2)	16	44820	1st Gear Assembly
6	43395	Face Gear Assembly	17	44825	2nd Gear Assembly
7	44060	Bearing	18	45165	Dowel Pin
8	89085	Roll Pin 1/8" x 1/4"	19	43335	Fan Housing Assembly
9	83890	Lock Nut (8)	20	46615	Torque Arm
10	46860	Grease Fitting			
11	42970	Gear Case Assembly (Includes Ref. No. 1)			

Wiring Diagram (115/230V)

Standard Color Code



European Color Code

