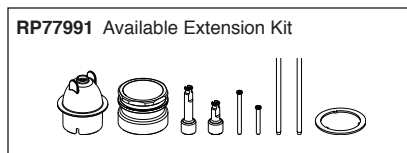
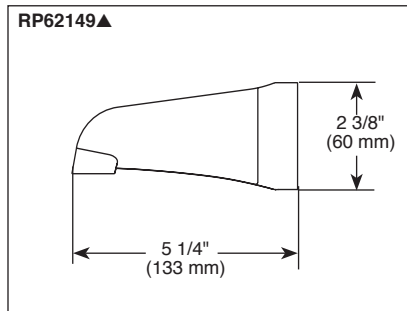
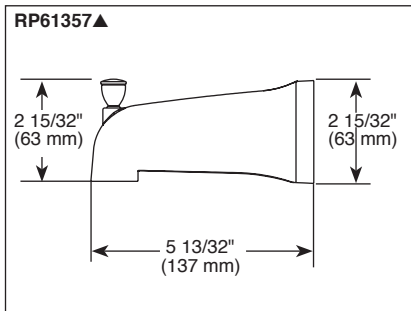
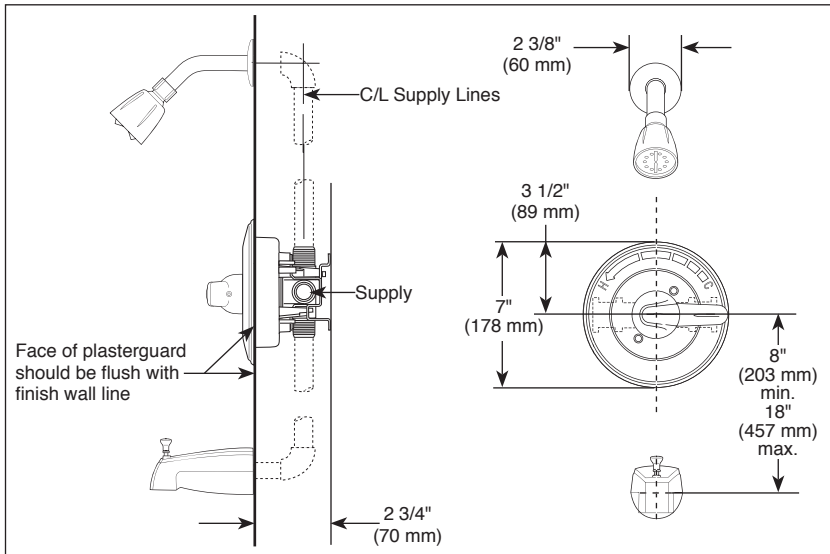


Submitted Model No.: _____
 Specific Features: _____



▲ Designate proper finish suffix



see what Delta can do™

TUB AND SHOWER FAUCET TRIM

- Foundations® Bath Collection
- Valve Only (BT13010 Series)
- Shower Only (BT13210 Series)
- Tub/Shower (BT13410 Series)

FEATURES:

- Monitor® 13 Series pressure balanced bath mixing valve trim

STANDARD SPECIFICATIONS

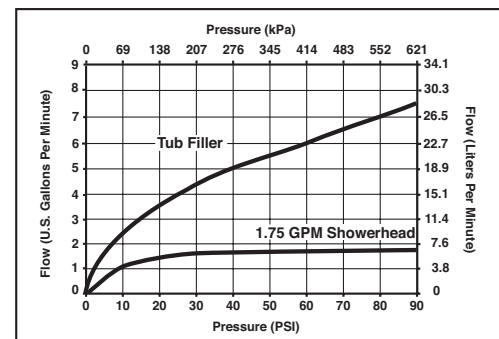
- Maintains a balanced pressure of hot and cold water even when a valve is turned on or off elsewhere in the system.
- For use with MultiChoice® Universal rough valve body. (R10000 Series)
- Back-to-back installation capability.
- Solid brass forged body.
- Temperature only controlled with handle.
- Field adjustable means to limit handle rotation into hot water zone.
- 120° - maximum handle rotation.
- All parts replaceable from the front of the valve.
- 1/2" -14 threaded tub spout.
- Stem extension kit RP77991 can be ordered to allow for an additional 1 3/4" wall thickness. RP77991 ships with chrome escutcheon screws. For special finishes also order RP12630 escutcheon screws in desired finish.

WARRANTY

- Lifetime limited warranty on parts (other than electronic parts and batteries) and finishes: or, for commercial users, for 5 years from date of purchase.
- 5 year limited warranty on electronic parts (other than batteries); or, for commercial users, for 1 year from the date of purchase. No warranty is provided on batteries.

COMPLIES WITH

- ASME A112.18.1 / CSA B125.1
- ASSE 1016
- Indicates compliance to ICC/ANSI A117.1 - Valve control only
- EPA WaterSense®



Delta reserves the right (1) to make changes in specifications and materials, and (2) to change or discontinue models, both without notice or obligation. Dimensions are for reference only. See current full-line price book or www.deltafaucet.com for finish options and product availability.