

Single Pantry Faucet

TECK[®]
COMMERCIAL

DELTA[®]

27C643



SPECIFICATION: (EXAMPLE)

- **CAST BRASS** single pantry faucet
- Polished chrome plated spout and trim
- **CER-TECK**® 1/4 turn ceramic structure
- Metal hold-down package
and ... with ... (add outlet required)
with ... (add handle required)

Engineer/Architect Approval

Model Specified:

Approval:

Date:

MODEL NUMBER EXAMPLE:

Configurations vary, see below for availability.

27C633






6 = Gooseneck spout

Outlet

- 3 = Vandal resistant aerator 1.5 gpm (5.7 L/min)
- 4 = Standard aerator outlet 1.5 gpm (5.7 L/min)
- 5 = Vandal resistant spray outlet 0.5 gpm (1.9 L/min)

Handle

- 3 = Hooded lever
- 8 = Self-closing hooded lever

AVAILABLE MODELS		VARIATIONS	
		0 Gooseneck R2 Spout 4.5" (114 mm) long, 14.5" (368 mm) high 	
		3 Hooded Lever 3" (76 mm)  	27C633 27C643 27C653
8 Self-Closing Hooded Lever 3" (76 mm) 	27C638 27C648 27C658		

Refer to www.specselect.com for individual models.

Flow Rates are at 60 PSI
Note: Use this page front and back as a product submittal sheet.

Delta reserves the right (1) to make changes in specifications and materials, and (2) to change or discontinue models, both without notice or obligation. Dimensions are for reference only. See current full-line price book or www.specselect.com for finish options and product availability.



DSP-27C Rev. C

Single Pantry Faucet

TECK[®]
COMMERCIAL

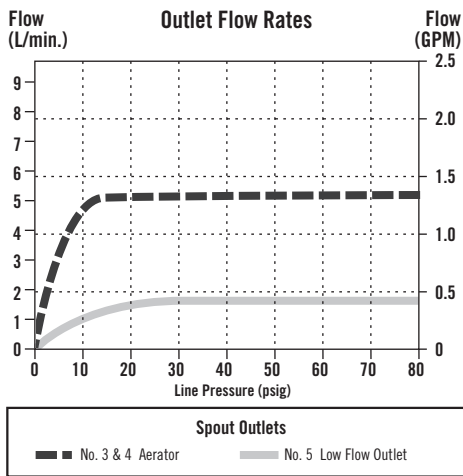
DELTA

APPROVALS:

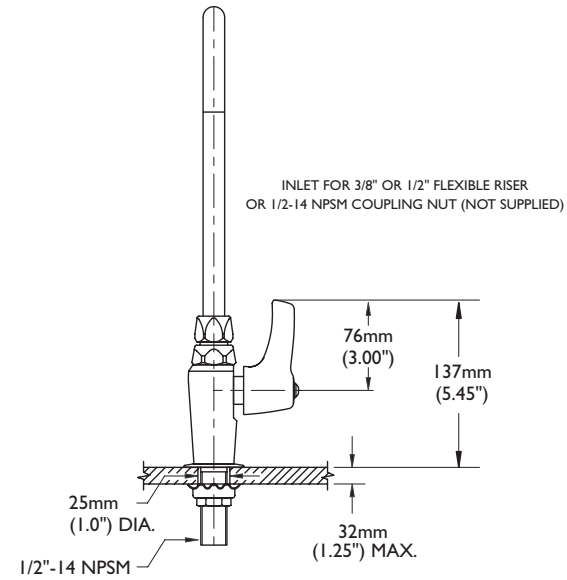
- CSA certified
- Complies to ASME A112.18.1/CSA B125.1
-  Indicates compliance to ICC/ANSI A117.1
-  Outlet options 3 and 4 are EPA WaterSense listed
- Verified compliant with 0.25% weighted average Pb content regulations

(Contact Delta Representative for State and/or Local Approvals.)

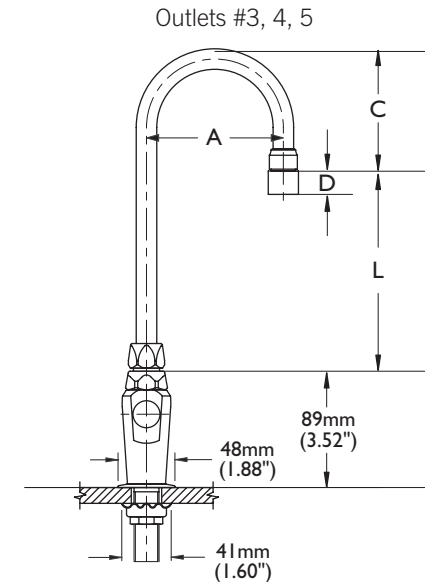
FLOW RATE vs PRESSURE



FRONT VIEW



GOOSENECK SPOUTS



OUTLET NO.	"D"	
	mm	in.
3	18	0.69
4	17	0.67
5	18	0.69

SPOUT/OUTLET	GOOSENECK SPOUT ASSEMBLIES					
	"A"		"C"		"L"	
	mm	in.	mm	in.	mm	in.
Gooseneck-Standard (R2) for outlets #3, 4 & 5	114	4.5	104	4.1	170	6.7

Note: Measurements may vary ± 6mm (0.25")

Refer to www.specselect.com for individual models.

Note: Use this page front and back as a product submittal sheet.