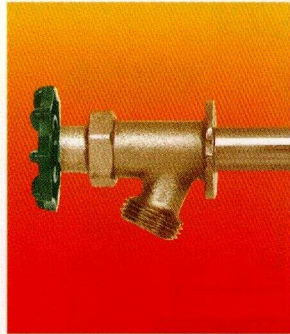




Frostproof Sillcocks

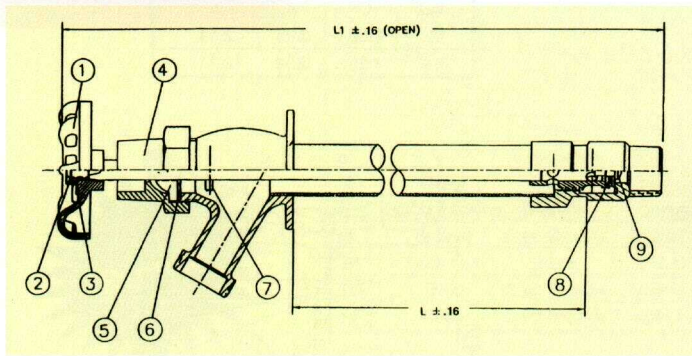
A.Y. McDonald Mfg. Co. Frostproof Sillcocks provide a year round source of water to areas of structures that are subject to freezing temperatures. The hydrant valve is connected to supply piping in the heated portion of the structure, eliminating the possibility of freezing.



2010 Regular Pattern Sillcock

Inlet: 1/2" - MIP Thread or Copper Sweat
Outlet: Hose Thread
Lengths: 6", 8", 10", 12"

MATERIALS			
NO.	PART	MATERIAL	SPEC. ASTM
1	Handle	Cast Iron	A126-B
2	Nut	Brass	B16
3	Label	Aluminum	Commercial
4	Nut	Cast Brass	B584-C85700
5	Seal	Rubber	D-2000
6	Washer	Brass	B16
7	Pring Pin		SCM-60
8	Body	Brass	B16
9	Seal	Rubber	D-2000
10	Screw	Cast Brass	B584-C85700



DIMENSIONS		
SIZE	L ±.16	L1 ±.16
6"	5.94	11.27
8"	7.92	13.26
10"	9.91	15.25
12"	11.89	17.24

**2010H or 2011H
Repair Handles**
 One size - fits all 2010 or 2011 sillcocks
 For other repair parts, contact factory.

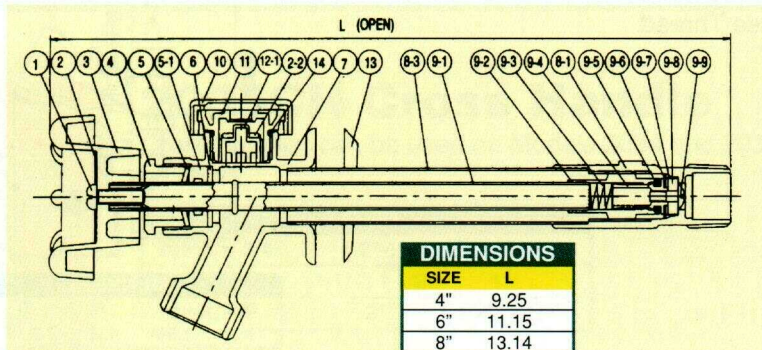


2011 Sillcock with Integral Vacuum Breaker-Antisiphon

**125 PSI
Chrome Plated Body**
Inlet: 1/2" - MIP Thread or 1/2" Copper Sweat
 3/4" - MIP Thread or 1/2" FIP Thread
Outlet: Hose Thread
Lengths: 4", 6", 8", 10", 12", 14"

Valves manufactured to:

ASSE 1019



DIMENSIONS	
SIZE	L
4"	9.25
6"	11.15
8"	13.14
10"	15.13
12"	17.12
14"	19.29

MATERIALS			
NO.	PART	MATERIAL	SPEC. ASTM
1	Handle Screw	Brass	B134-C27000
2	Name Plate	Aluminum	B209-1100
3	Hand Wheel	Plastic/Zinc Alloy	ABS/B86
4	Stem Gland Screw	Brass	B16-C36000
5	Washer	Stainless	304 Stainless
5-1	Stem Packing	Rubber	Buna-N
6	Stop Washer	Stainless	304 Stainless
7	Body	Cast Brass	B584-C85700
8-1	ED Seat	Cast Brass	B584-C85700
8-3	Tube	Brass	B135-C26000
9-1	Stem	Brass	B135-C26000
9-2	Piston	Brass	B16-C36000
9-3	Spring	Stainless	304 Stainless
9-4	Disc	Brass	B16-C36000
9-5	O-Ring	Rubber	Buna-N
9-6	Diaphragm	Polyester Fiber +Rubber	Polyester Fiber +NBR
9-7	Packing Holder	Brass	B16-C36000
9-8	Seat Packing	Rubber	Buna-N
9-9	Packing Screw	Brass	B134-C27000
10	VB Cover	Plastic	PP
11	VB Body	Plastic	Celcon
12-1	VB Disc	Plastic	Celcon
12-2	VB Packing	Rubber	Buna-N
13	Siding Sedge	Plastic	Nylon
14	VB O-Ring	Rubber	Buna-N