



Buy it for looks. Buy it for life.®

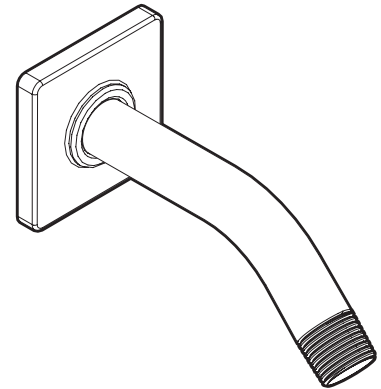
Specifications

DESCRIPTION

- Metal construction with various finishes identified by suffix
- 1/2" NPT threads

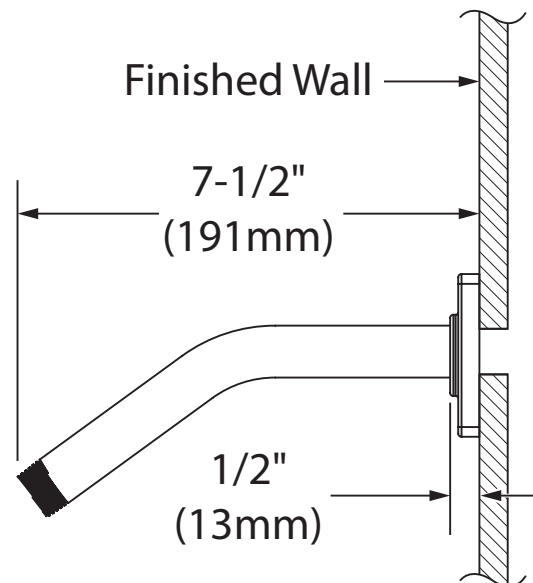
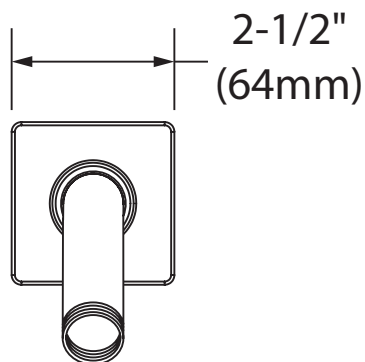
WARRANTY

- Lifetime limited warranty against finish defects to the original consumer purchaser
- 5 year warranty if used in commercial installations



Shower Arm and Flange

Models: S133 series



CRITICAL DIMENSIONS

(DO NOT SCALE)