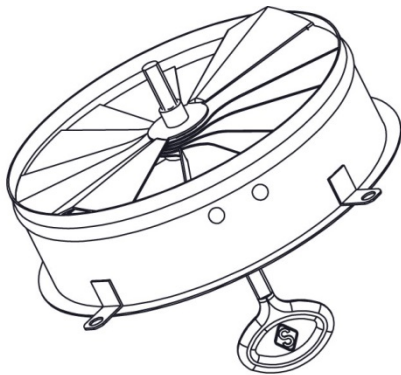




Commercial Submittal Sheet

91 Series

Round Bowtie Damper

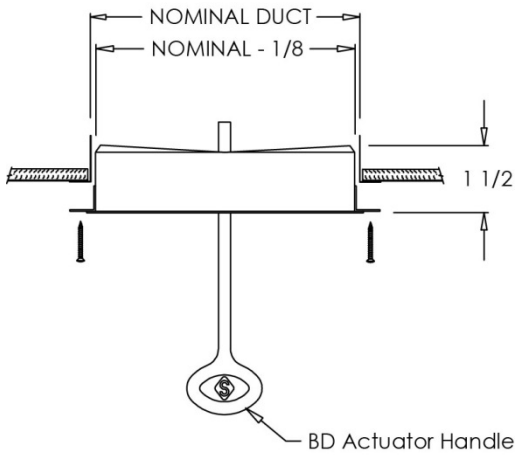


Model: 91

Description: Round Bowtie Damper

Standard Features:

- Accessory to the 90 Series
- Field installable Bowtie Damper with round duct ring
- Available in sizes 6, 8, 10, 12, & 14"
- Mill Finish

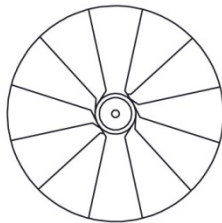


91

BD

Open

Closed



Additional Information:

Project / Location:

Engineer:

Architect:

Contractor:

Submittal Notes