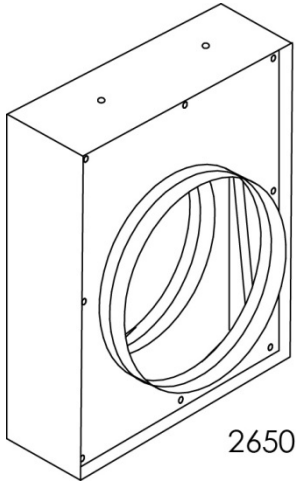




Fire Rated Submittal Sheet

2650 Series

Standard Frame 1 1/2 Hour Round Curtain-Type Fire Damper Out-of-Airstream



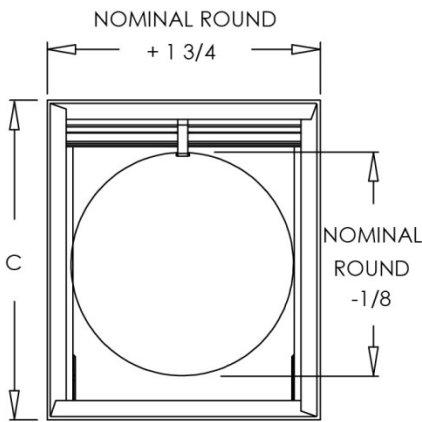
Model: 2650
Description: Standard Frame 1 1/2 Hour Round Curtain-Type Fire Damper Spring Actuated Out-of-Airstream

Standard Features:

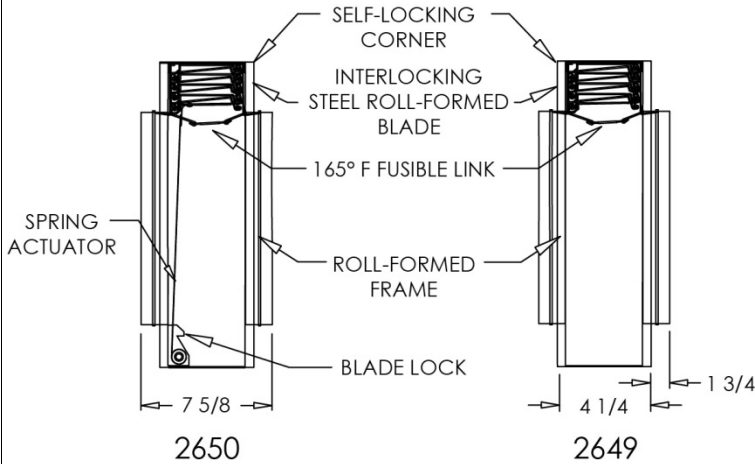
- Spring actuated curtain-type fire damper with 2 1/4" round connection for horizontal or vertical mount
- 4 1/4" standard roll formed out-of-airstream frame
- Designed for use in wall, floors, and partitions with fire resistance ratings of 2 hours or less (for ceiling application, see 2700 Series)
- UL listed and tested in accordance with UL Standard 555
- 1 1/2 hour fire resistance rating
- Building materials rated 2 hours or less
- CSFM California State Fire Marshal listed
- Interlocking steel roll-formed blades
- Blade lock to secure blades once product is activated
- Damper manufactured from corrosion tested galvanized mild steel (G-90)
- 165° replaceable fusible link
- Available in 4" through 52" round

Options:

- Vertical mount only without spring actuator and blade lock (2649)
- Stainless steel
- Sleeves



2649 & 2650



2649 & 2650 Dimensions	
Duct Size	Height (C)
4" - 7"	+1 3/4"
8" - 16"	+2 3/4"
17" - 26"	+3 3/4"
27" - 35"	+4 3/4"
36" - 44"	+5 3/4"
45" - 52"	+6 3/4"

Example: Height (C) for 20" duct would be 23 3/4"

Additional Information:

Project / Location:
Engineer:
Architect:
Contractor:

Submittal Notes