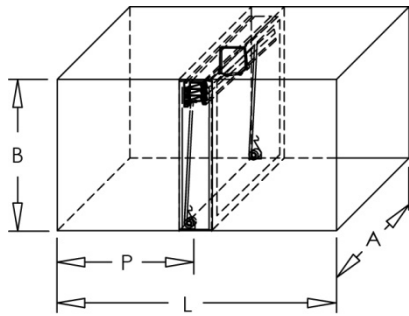




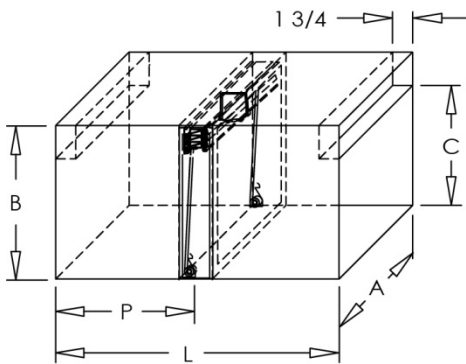
Fire Rated Submittal Sheet

Fire Damper Sleeves

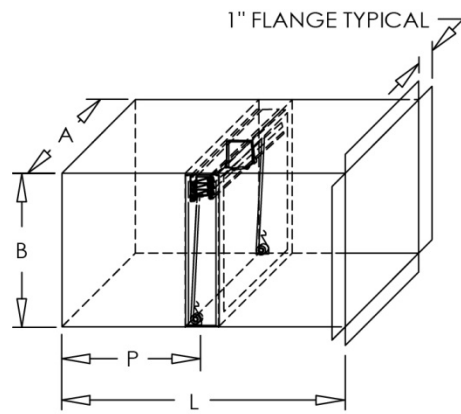
Sleeves for Dampers: 2500 & 2600



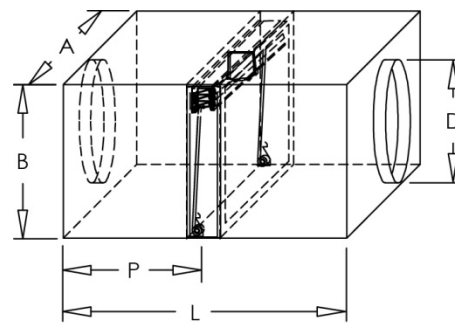
SLEEVE TYPE A



SLEEVE TYPE B



SLEEVE TYPE C



SLEEVE TYPE D

Model: Fire Damper Sleeves

Description: Sleeves for Fire Dampers : 2500 & 2600

Standard Features:

- Sleeve Type A: Square or rectangular
- Standard sleeve length 18"
- 20 gauge galvanized steel
- Mill Finish

Options:

- Gauges: 14 through 22 ga.
- Access door installed
- Retaining angles
- Available in sleeve lengths 6" through 20"
- Fractional O.D. sizes available

Sleeve Styles:

- Type B: Out-of-Airstream
- Type C: Square or rectangular with flange
- Type D: Square or rectangular with round collar (Note: Round collar must be 2" smaller than square sleeve dimension i.e. 10"x10"-8")

Additional Information:

Project / Location:
Engineer:
Architect:
Contractor:

Submittal Notes