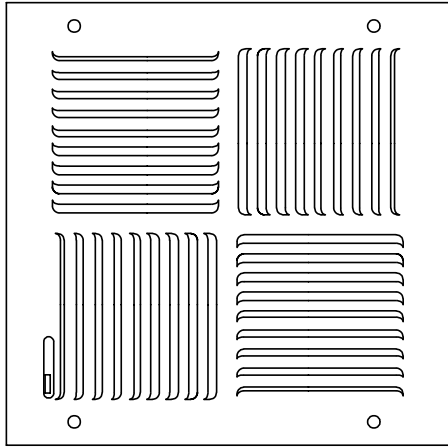


Residential Submittal

4-Way Ceiling Register

MODEL: 150 Series



Standard Features:

- 4-Way ceiling register with stiffened 1/2" fan shaped louvers for silent operation
- Lever operated multi-shutter damper
- All component parts, rivets, linkage, and handle enclosed in valve to assure trouble-free operation
- Countersunk mounting holes for flush appearance with color matching Phillips Pozi-drive screws
- Rust resistant pre-coat with durable powder finish
- Soft White

Options:

- Face only (151)
- Lever operated Opposed Blade Damper (150-0)
- Tool operated Opposed Blade Damper (TO-150-0)
- T-20 Tamper Proof Screws

Finishes:

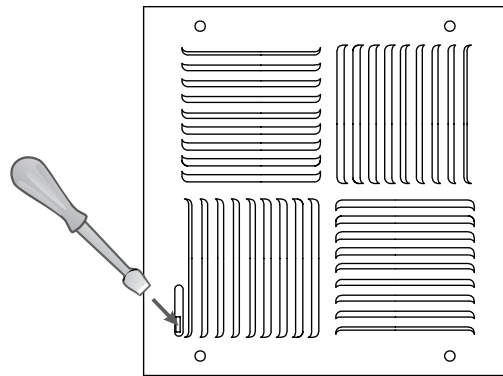
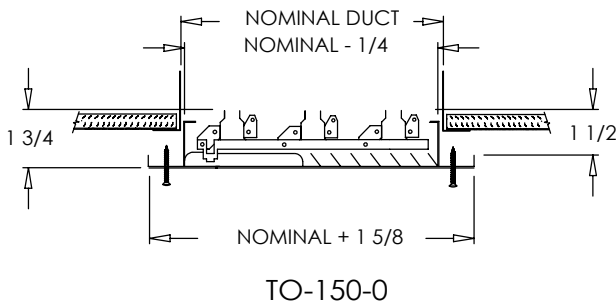
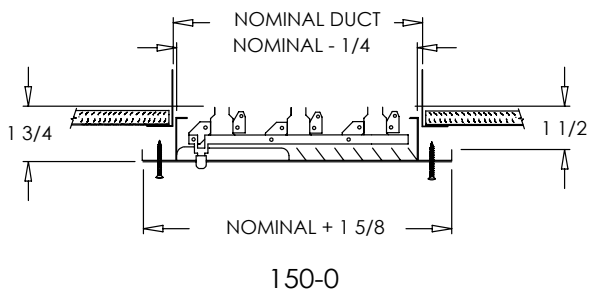
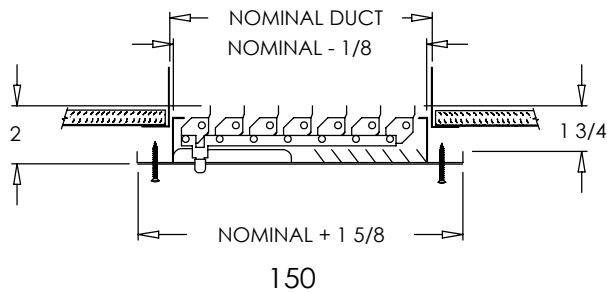
STANDARD COLORS

- Soft White
- Driftwood Tan

DESIGNER COLORS

- Black
- Bronze
- Storm Gray
- Cement Gray

- Aluminum Paint
- Coffee Tan
- Warm White
- Glossy White



Tool Operated OBD (TO-150-0)

Additional Information:

Submittal Notes

Project / Location:	
Engineer:	
Architect:	
Contractor:	