



Residential Submittal Sheet

955 Series

Adjustable Baseboard Register

Model: 955
Description: Adjustable Baseboard Register

Standard Features:

- Extruded aluminum frame with signature line marks
- Adjustable steel blades are parallel to shortest dimension
- Margin edges are 7/8" projection for baseboard installation
- Nylon bushings for easy adjustment and quiet setting of airfoil blades
- Lever operated multi-shutter damper
- Countersunk mounting holes for flush appearance with color matching Phillips posi-drive screws
- All component parts, rivets, linkage, and handle enclosed in valve to assure trouble-free operation
- Soft white

Options:

- Recessed screwdriver operated Opposed Blade Damper (955-0)

Tamper Proof Screws

- "F" Torx Center Pin

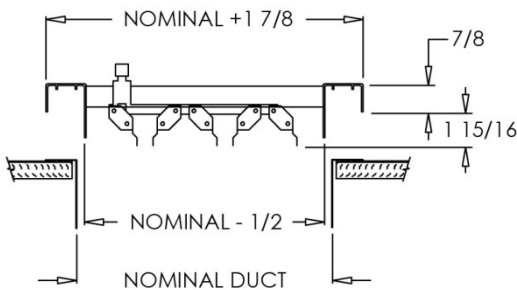
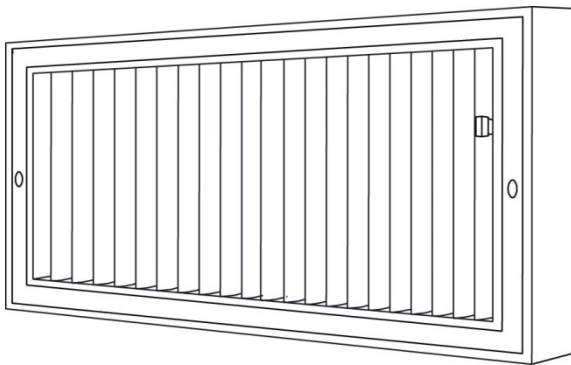
Finishes:

Standard Colors

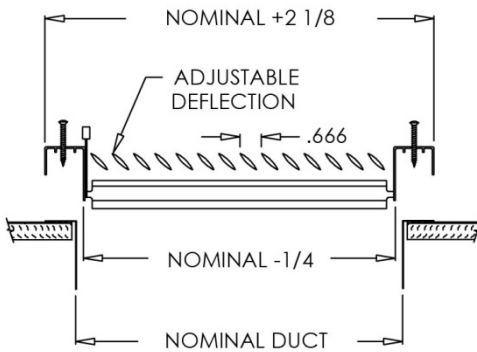
- Soft White
- Driftwood Tan

Designer Colors

- Almond
- Black Velvet
- Bronze
- Camaro Silver
- Coffee Tan
- Navajo White
- Vanilla



955-O



955

Additional Information:

Project / Location:
Engineer:
Architect:
Contractor:

Submittal Notes