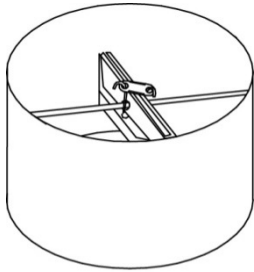




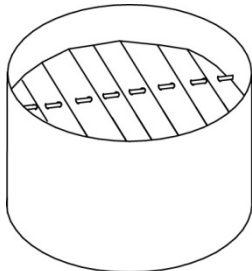
Fire Rated Submittal Sheet

2652 Series

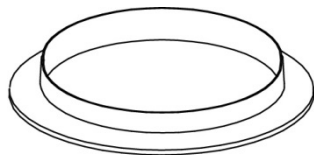
True Round 1 1/2 Hour Rated Fire Damper



2652
OPEN POSITION



2652
CLOSED POSITION



MAR
MOUNTING ANGLE RING

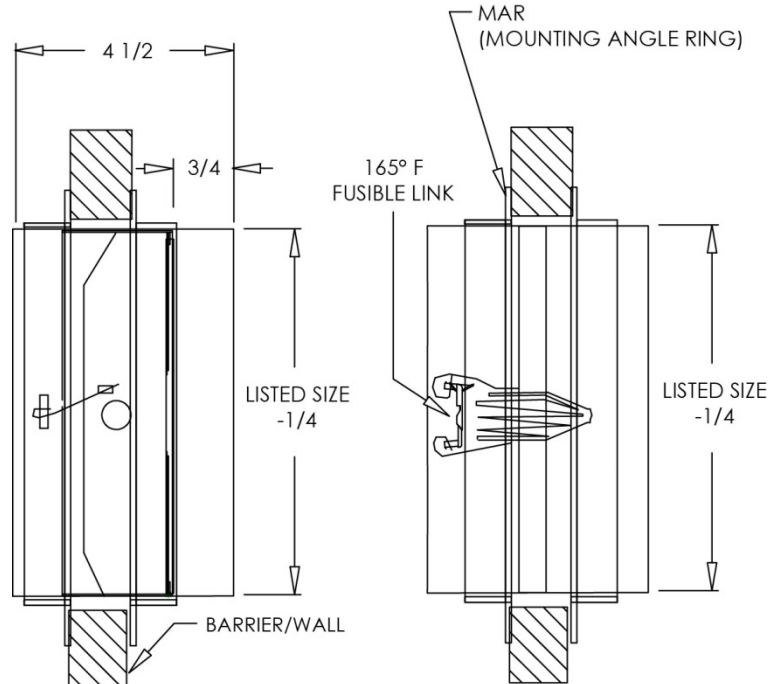
Model: 2652
Description: True Round 1 1/2 Hour Rated Fire Damper

Standard Features:

- True round fire damper
- Round steel frame
- Stainless steel curtain
- Horizontal or vertical installation
- Designed for use in wall, floors, and partitions with fire resistance ratings of 3 hours or less (for ceiling application, see 2700 Series)
- UL listed and tested in accordance with UL Standard 555
- 1 1/2 hour fire resistance rating
- CSFM California State Fire Marshal listed
- Damper construction meets NFPA 90A requirement
- 165° replaceable fusible link
- Available in 4" through 12" round

Options:

- Mounting Angle Ring (MAR)
- 212° fusible link



Additional Information:

| |
|---------------------|
| Project / Location: |
| Engineer: |
| Architect: |
| Contractor: |

Submittal Notes