



Commercial Submittal Sheet

104P Series

Perforated Stamped Curved Blade T-Bar Diffuser

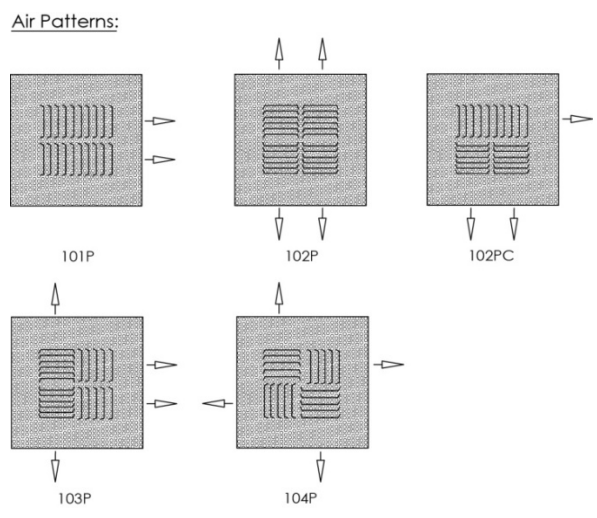
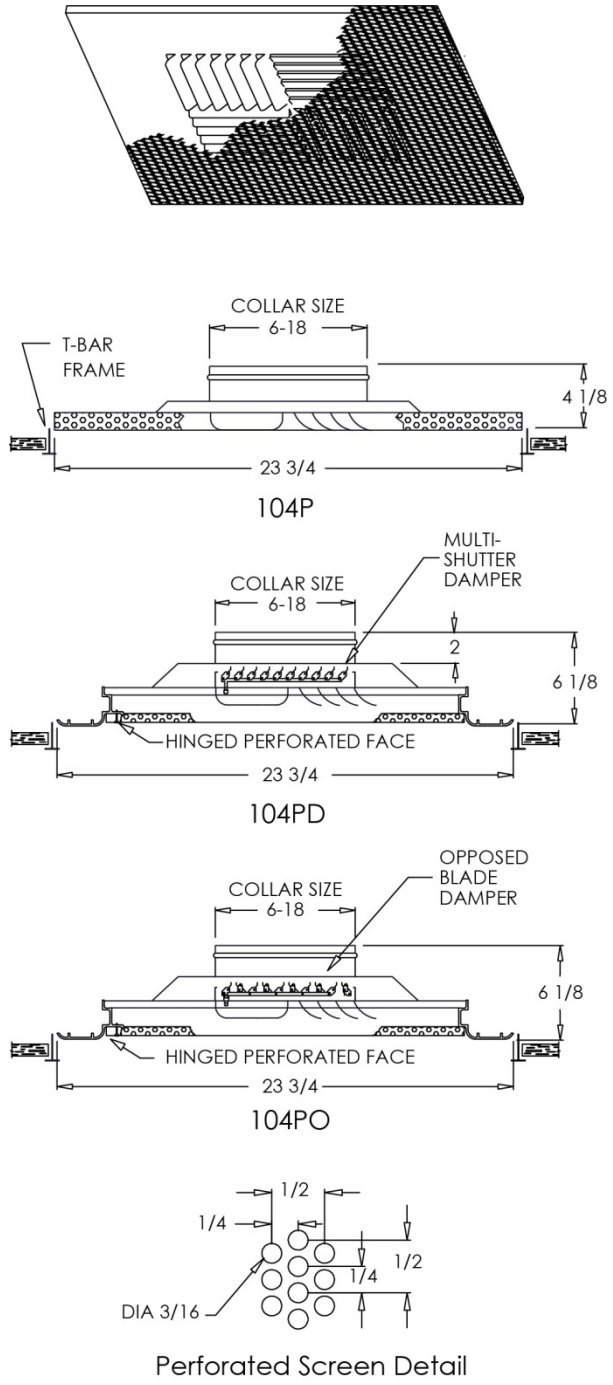
Model: 104P
Description: Perforated Stamped Curved Blade T-Bar Diffuser

- Standard Features:**
- Perforated face with stamped 4-way curved blade T-Bar diffuser
 - 3/16" holes on 1/4" staggered centers
 - Five air patterns available
 - 2" ADC compliant round collar with bead for ease of installation
 - Standard collar diameter is 2" smaller than face (ex. 12x12 face has a 10" collar)
 - Collar sizes available in 6" -10", 12", 14", 16", & 18"
 - Rust resistant pre-coat with durable powder finish
 - Soft White

- Options:**
- Lever operated Multi-Shutter Damper (104P-D)
 - Lever operated Opposed Blade Damper (104P-0)
 - Square Collar
 - TVB – Thermal Vapor Blanket

- Air Patterns**
- 101P – One Way
 - 102P – Two Way
 - 102PC – Two Way Corner
 - 103P – Three Way
 - 104P – Four Way

- Finishes:**
- | | | |
|-------------------------------------|---|--|
| Standard Colors | Designer Colors | Other |
| <input type="checkbox"/> Soft White | <input type="checkbox"/> Almond
<input type="checkbox"/> Black Velvet
<input type="checkbox"/> Bronze
<input type="checkbox"/> Camaro Silver | <input type="checkbox"/> Coffee Tan
<input type="checkbox"/> Navajo White
<input type="checkbox"/> Vanilla
<input type="checkbox"/> Aluminum Paint
<input type="checkbox"/> Glossy White |



Additional Information:

Project / Location:
Engineer:
Architect:
Contractor:

Submittal Notes