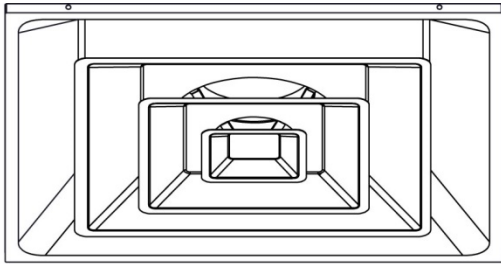




# Commercial Submittal Sheet

HVD Series

4 Cone T-Bar Diffuser



**Model:** HVD  
**Description:** 4 Cone High Volume T-Bar Diffuser

**Standard Features:**

- 4 cone steel diffuser with hinged core for easy duct access
- Designed for high volume air delivery
- Delivers supply air in a 360° air pattern
- 2" ADC compliant round collar with bead for ease of installation
- Collar sizes available in 6"-10", 12", 14", and 16"
- Rust resistant pre-coat with durable powder finish
- Soft White

**Options:**

- Adjustable baffle controllers to direct airflow horizontal or vertically (HVD-ADJ)
- Fits 1x1 ceiling grids (collar sizes 6"-10") (HVD-1x1)
- BD – Field installable Bowtie Damper (available on even sizes 6"-14")
- Square Collar
- TVB – Thermal Vapor Blanket
- NGD – Narrow ceiling grid dimples for 9/16" T-Rails, changes O.D. to 23 29/32"

**Finishes:**

**Standard Colors**

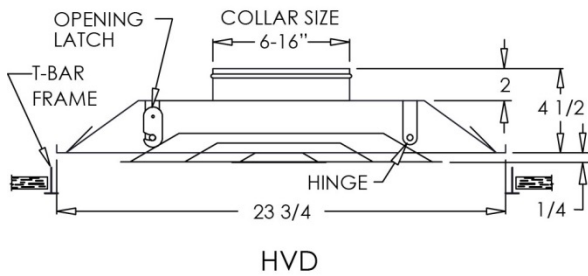
- Soft White

**Designer Colors**

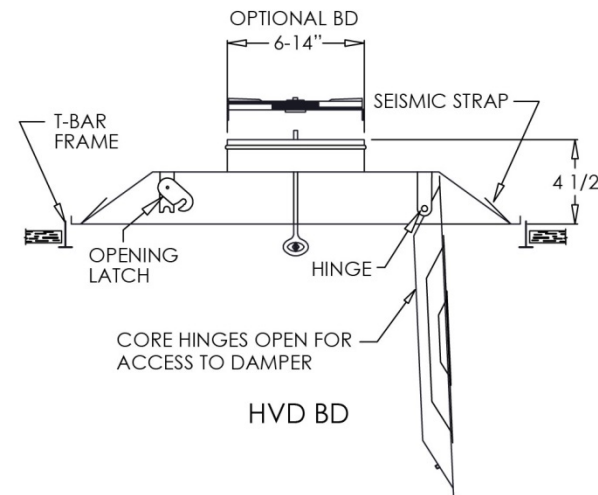
- Almond
- Black Velvet
- Bronze
- Camaro Silver
- Coffee Tan
- Navajo White
- Vanilla

**Other**

- Aluminum Paint
- Glossy White



HVD



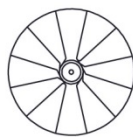
HVD BD

BD

Open



Closed



**Additional Information:**

Project / Location:	<b>Submittal Notes</b>
Engineer:	
Architect:	
Contractor:	