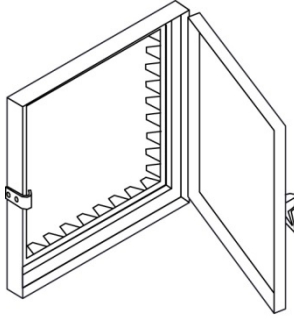
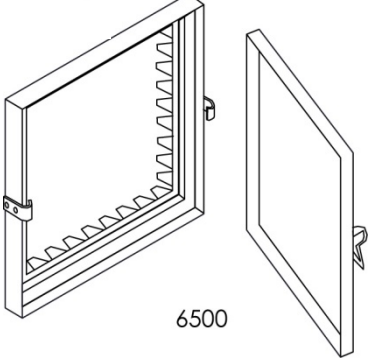
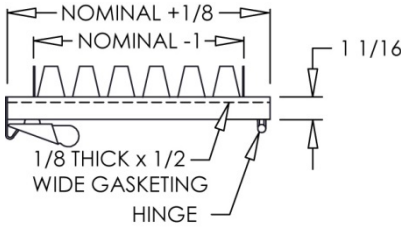
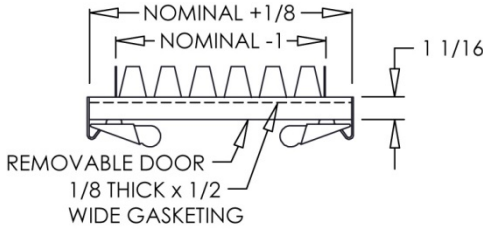




Damper Louver Submittal Sheet

6000 Series

Insulated Access Door

 <p style="text-align: center;">6000</p>  <p style="text-align: center;">6500</p>  <p style="text-align: center;">6000</p>  <p style="text-align: center;">6500</p>	<p>Model: 6000</p> <p>Description: Insulated Access Door</p> <p>Standard Features:</p> <ul style="list-style-type: none"> ▪ Hinged style access door ▪ Galvanized steel ▪ Neoprene gasketing to ensure tight seal between door and frame ▪ Insulated door ▪ Designation label on door ▪ Mill Finish <p>Options:</p> <ul style="list-style-type: none"> <input type="checkbox"/> Cam style insulated access door (6500) <input type="checkbox"/> Hinged insulated access door for fiberglass duct (6001) <input type="checkbox"/> Cam style insulated access door for fiberglass duct (6501)
---	--

Additional Information:	Submittal Notes
Project / Location:	
Engineer:	
Architect:	
Contractor:	