

Standard Features:

- Perforated return air grille
- 3/16" holes on 1/4" staggered centers
- Extruded aluminum frame with signature line marks fixed in a T-Bar panel
- 2" ADC compliant round collar with bead for ease of installation
- Grille available in sizes 6"x6" through 20"x20"
- Rust resistant pre-coat with durable powder finish
- Soft White

Options:

- Recessed screwdriver operated Opposed Blade Damper (700-600P-0)
- Square Collar
- Premium 3" round collar with bead (700-600P-3in)
- TVB – Thermal Vapor Blanket
- NGD – Narrow ceiling grid dimples for 9/16" T-Rails, changes O.D. to 23 29/32"

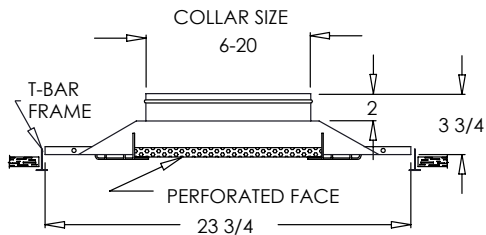
Finishes:

STANDARD COLORS

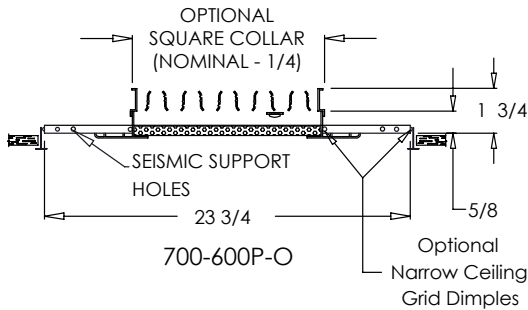
- Soft White
- Driftwood Tan

DESIGNER COLORS

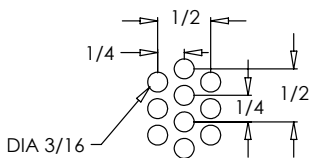
- Black
- Bronze
- Storm Gray
- Cement Gray
- Aluminum Paint
- Coffee Tan
- Warm White
- Glossy White



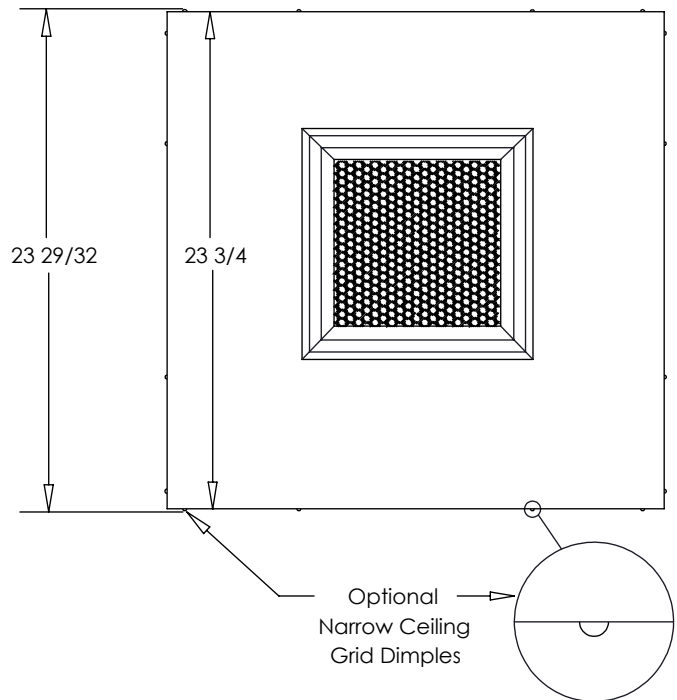
700-600P



700-600P-O



Perforated Screen Detail



Additional Information:

Submittal Notes

Project / Location:	
Engineer:	
Architect:	
Contractor:	